

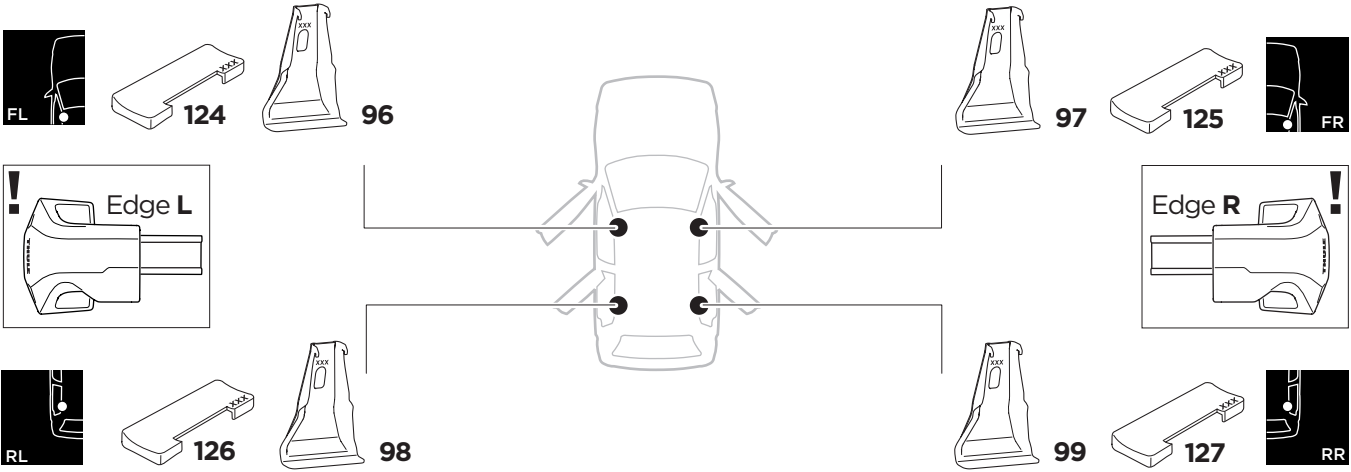
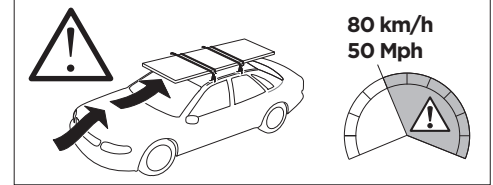
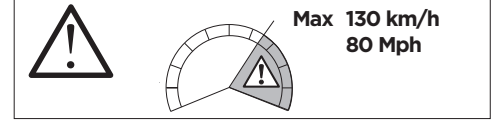
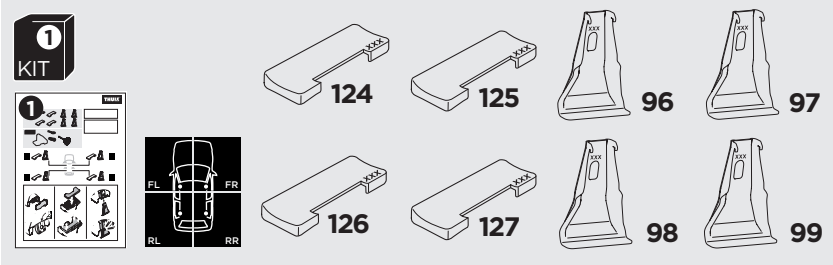
1

Kit 145029

TOYOTA Prius, 5-dr Hatchback, 16-



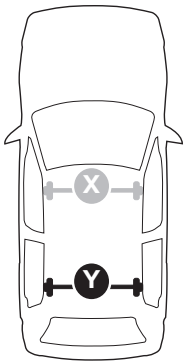
ISO 11154-E





THULE WingBar Evo	THULE WingBar Edge	THULE WingBar	THULE SquareBar Evo	Evo X (scale)	Edge X (scale)
TOYOTA Prius, 5-dr Hatchback, 16-				43	K

THULE ProBar Evo	THULE SlideBar Evo	X (mm/inch)		
TOYOTA Prius, 5-dr Hatchback, 16-		1081 mm / 42 1/2"		



THULE WingBar Evo	THULE WingBar Edge	THULE WingBar	THULE SquareBar Evo	Evo Y (scale)	Edge Y (scale)
TOYOTA Prius, 5-dr Hatchback, 16-				33	M

THULE ProBar Evo	THULE SlideBar Evo	Y (mm/inch)		
TOYOTA Prius, 5-dr Hatchback, 16-		981 mm / 38 5/8"		

	W (mm/inch)	Z (mm/inch)
TOYOTA Prius, 5-dr Hatchback, 16-	770 mm / 30 3/8"	180 mm / 7 1/8"

