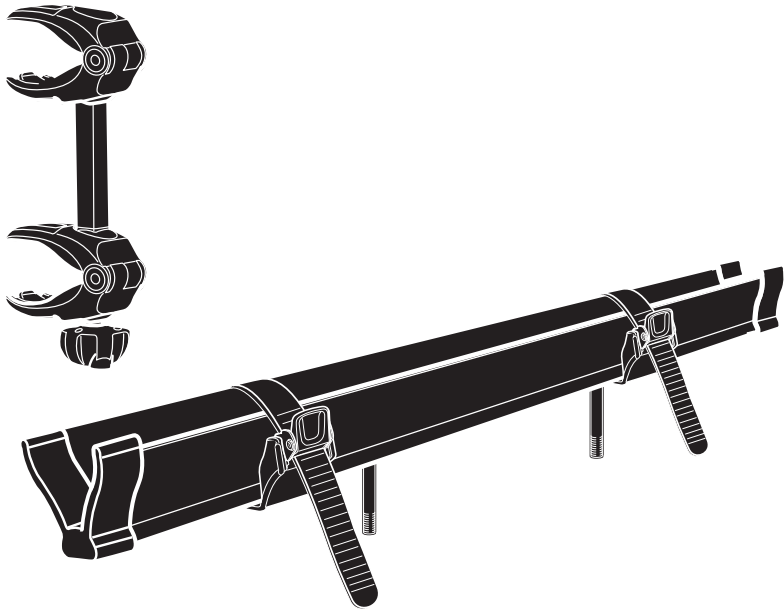
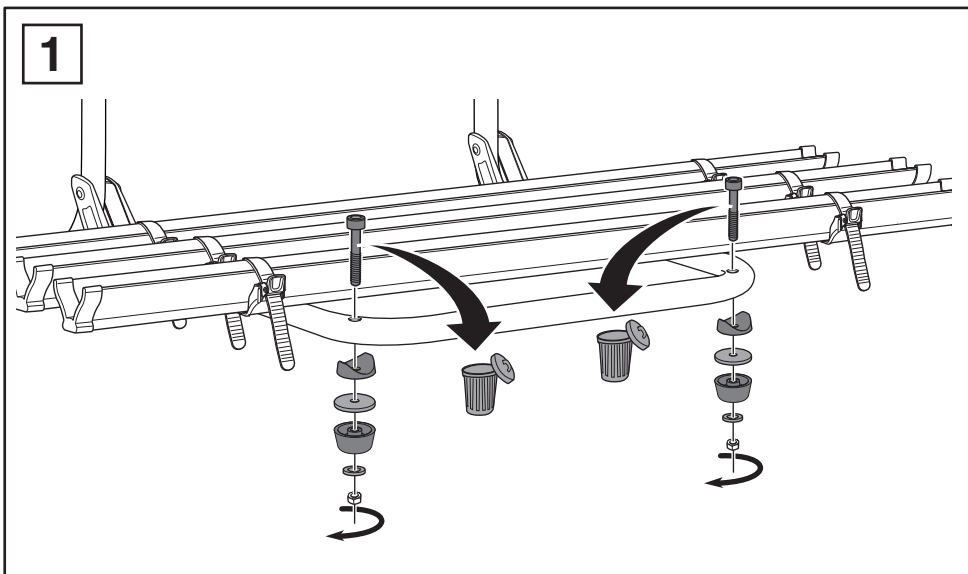
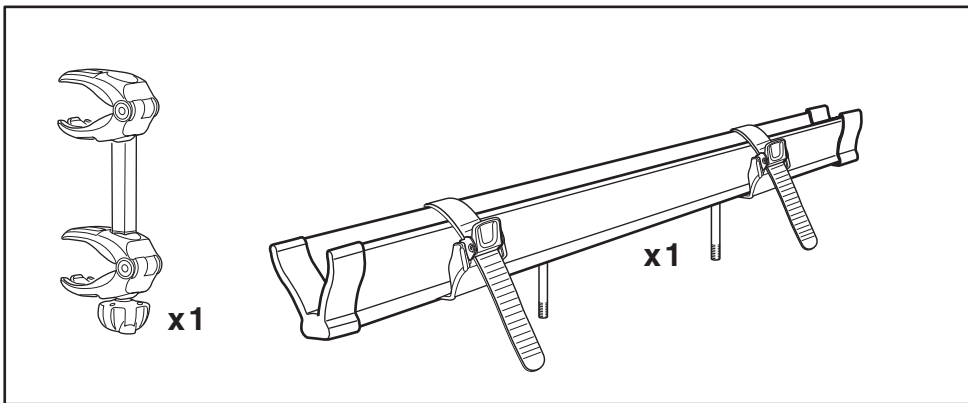
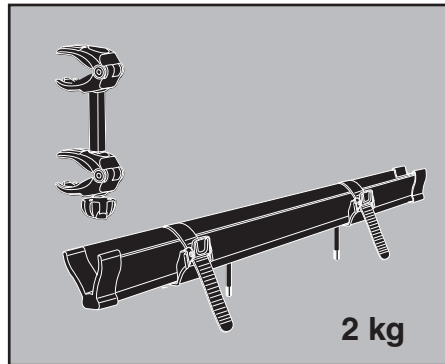
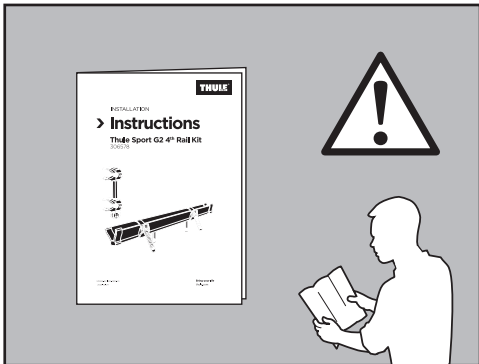


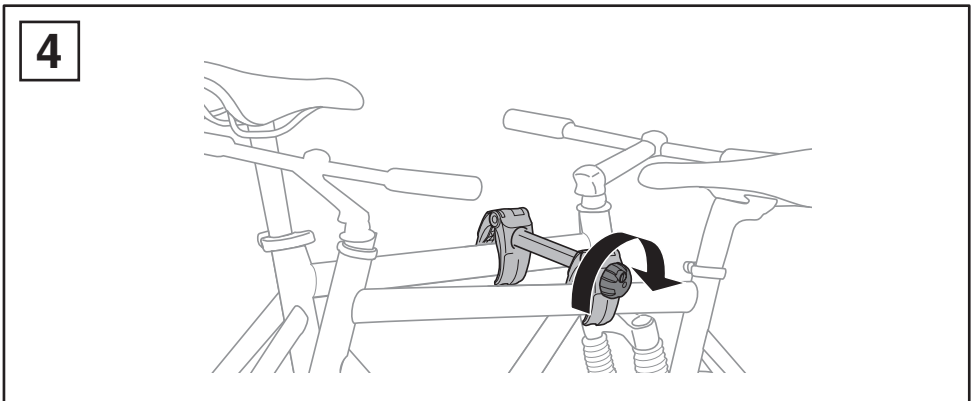
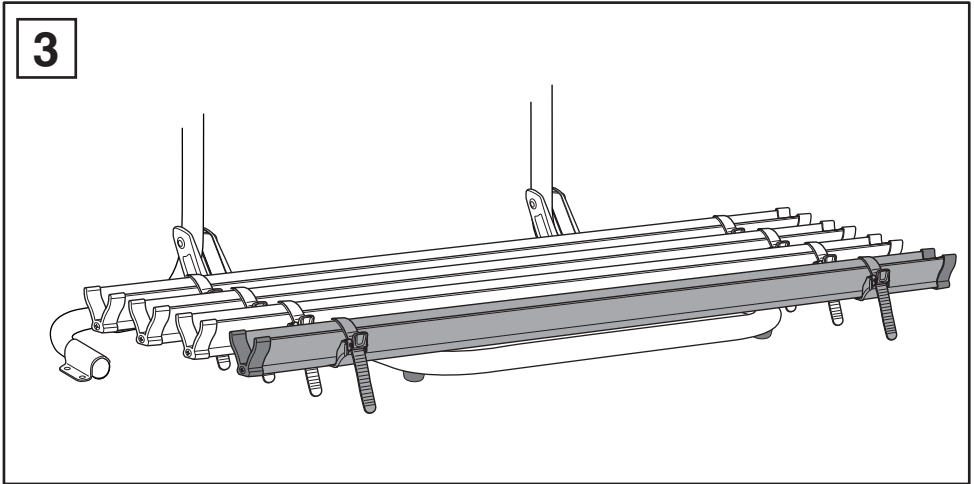
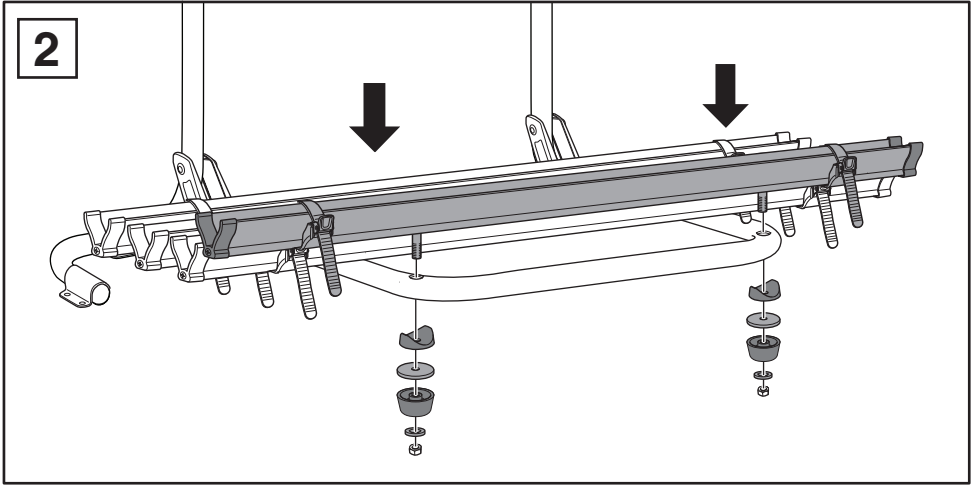
INSTALLATION

➤ Instructions

Thule Sport G2 4th Rail Kit 306578







526000

**Abschließbare
Knebelmutter
Locking Knob**



538000

**Kabelschloss
Locking wire**

