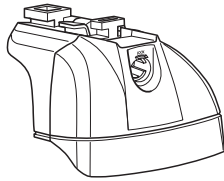
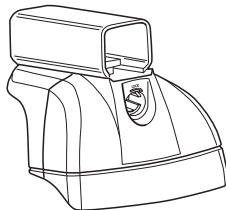
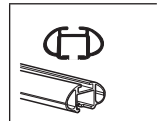


Kit 3112

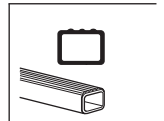
LAND ROVER LR3 w/Factory Track, 5-dr SUV, 05-09
LAND ROVER LR4 w/Factory Track, 5-dr SUV, 10-
HUMMER H3 w/Factory Track, 5-dr SUV, 05-10
HUMMER H3T w/Factory Track, 4-dr Pickup, 09-10



460R



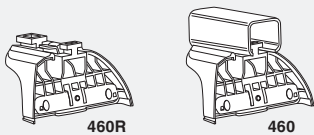
460



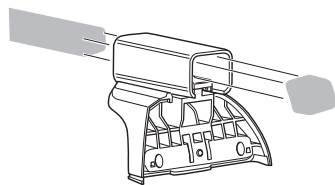
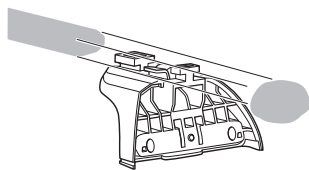
460R

460

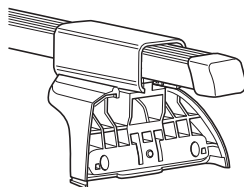
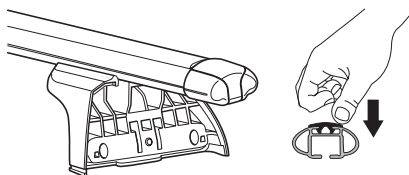
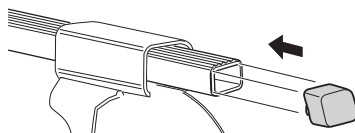
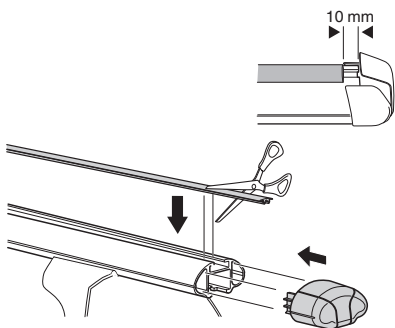
1



+



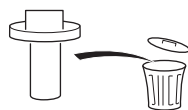
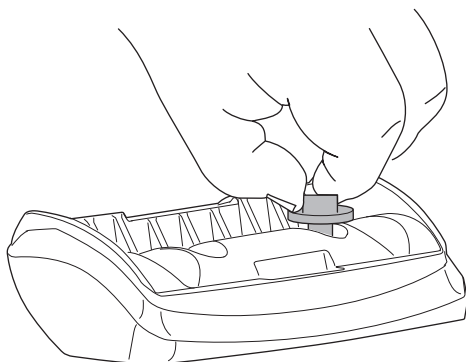
10 mm

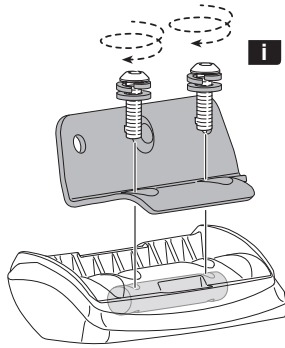
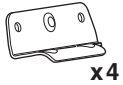


2



x4

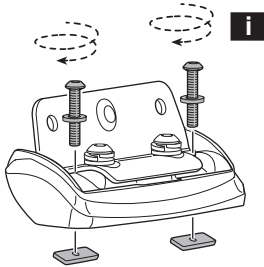


3**i**

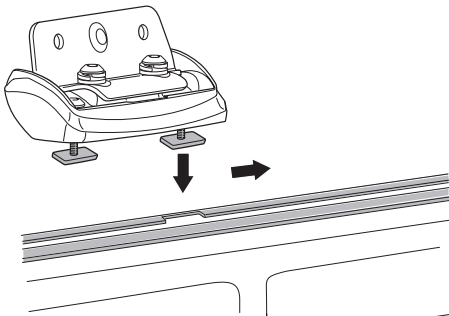
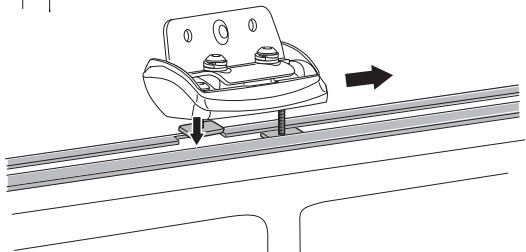
- GB** Only a few turns
F Quelques tours uniquement
E Sólo algunas vueltas

4

LAND ROVER LR3 w/Factory Track, 5-dr SUV, 05-09
LAND ROVER LR4 w/Factory Track, 5-dr SUV, 10-

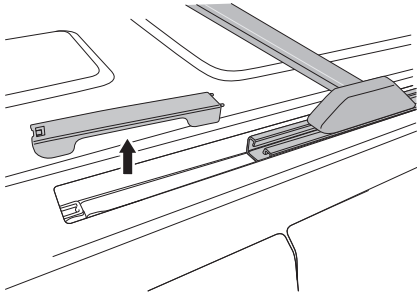
**i**

- GB** Only a few turns
F Quelques tours uniquement
E Sólo algunas vueltas

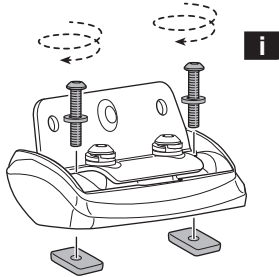
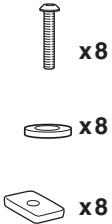
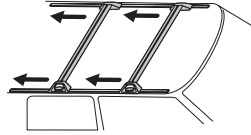
A**B**

4

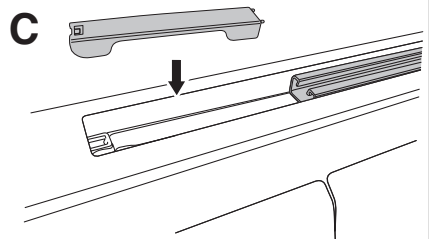
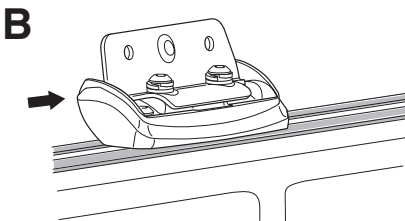
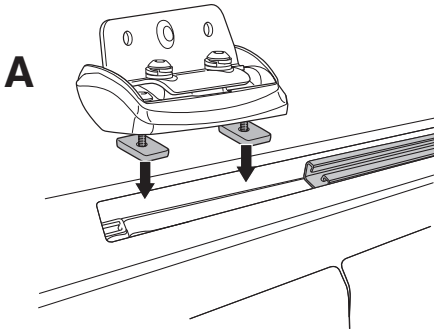
HUMMER H3 w/Factory Track, 5-dr SUV, 05-10
HUMMER H3T w/Factory Track, 4-dr Pickup, 09-10



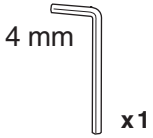
- GB** Remove factory racks.
F Retirez les barres installées en usine.
E Para sacar el portacargas de fábrica.



- i** **GB** Only a few turns
F Quelques tours uniquement
E Sólo algunas vueltas

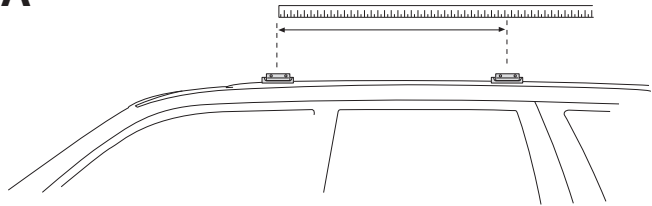


5



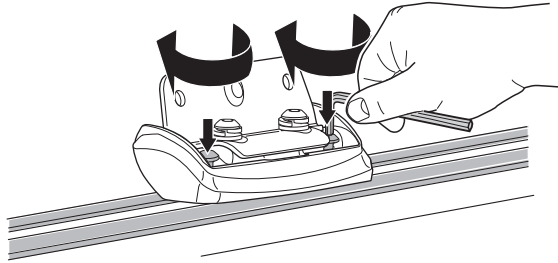
A

24" – 28" / 610 – 711 mm

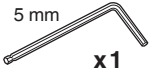


B

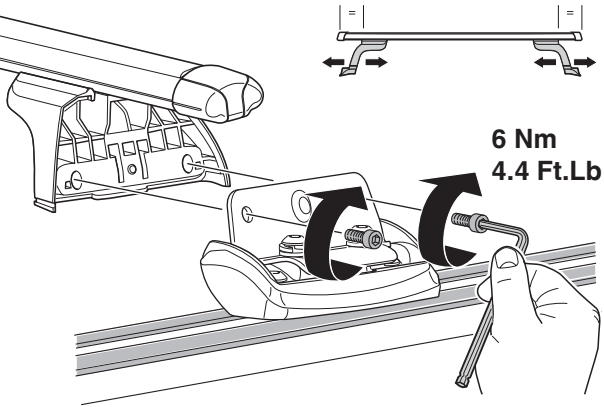
2.5 Nm
1.8 Ft.Lb



6

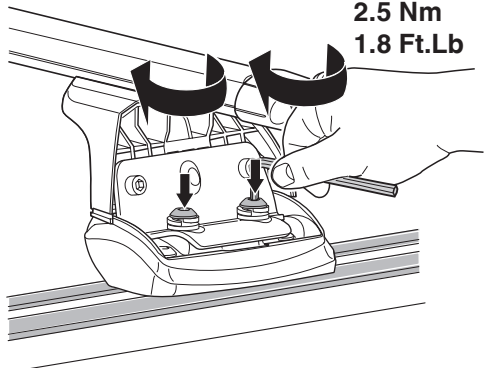


A

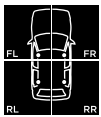


B

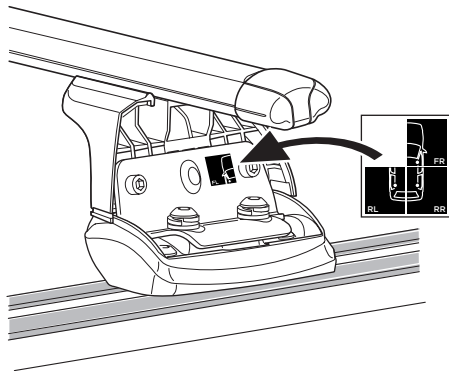
2.5 Nm
1.8 Ft.Lb



7



x1



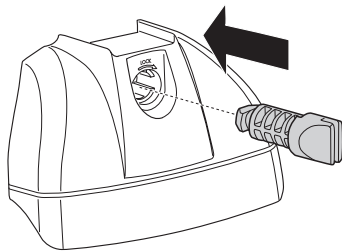
8



x4



x4



9

