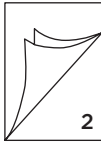




1

Kit 187106



FORD Transit Connect (Mk. II) L1, 4-dr Van, 14-23

FORD Transit Connect (Mk. II) L2, 4-dr Van, 14-23


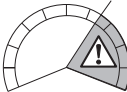



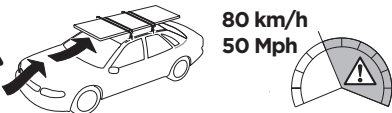
 +  = Max: 150 kg / 330 lbs

10,5 kg
21,1 lbs

 +  = Max: 150 kg / 330 lbs

14 kg
30,8 lbs

  Max 130 km/h
80 Mph

  80 km/h
50 Mph


ISO 11154-E



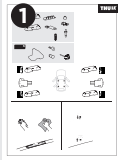
THULE.COM

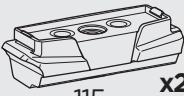


This kit is only for vehicles with fixpoint mounting.

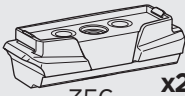


1
KIT







115 x2




356 x2




004 x4




Safety




51325 x4




50627 x4




30113 x1



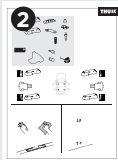
54673 x1

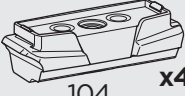


54704 x4




2
KIT







104 x4




004 x4




Safety




51325 x4




50627 x4



30113 x1

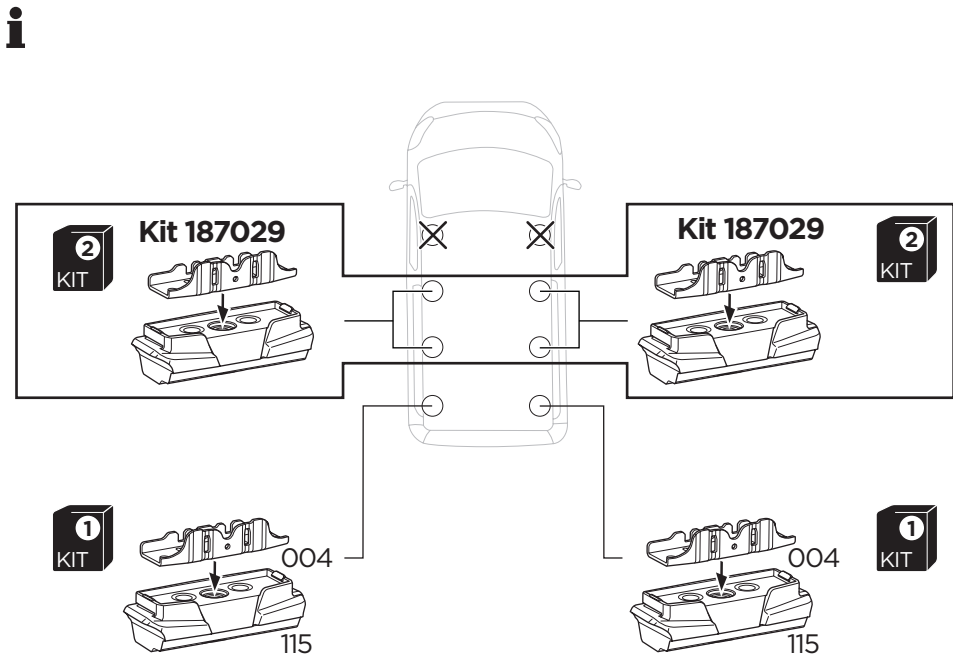


54673 x1

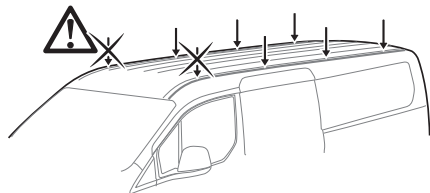


54704 x4

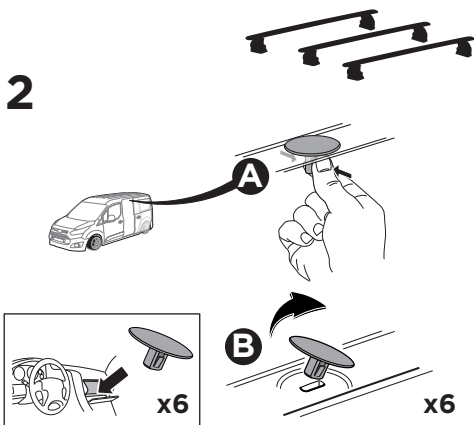
Kit 187029



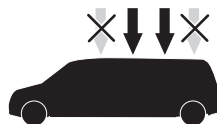
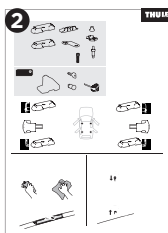
1



2



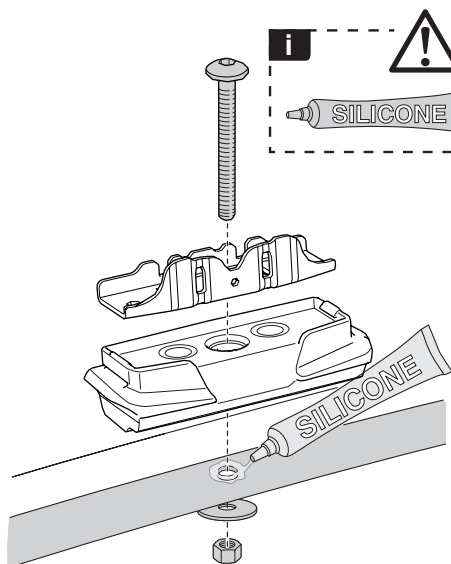
3



Kit 187029



4

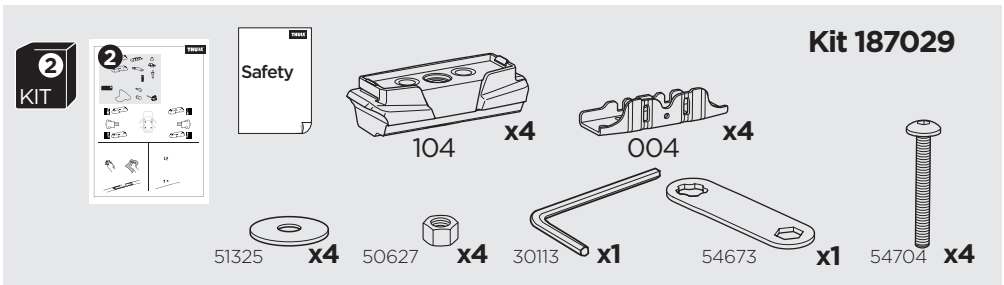
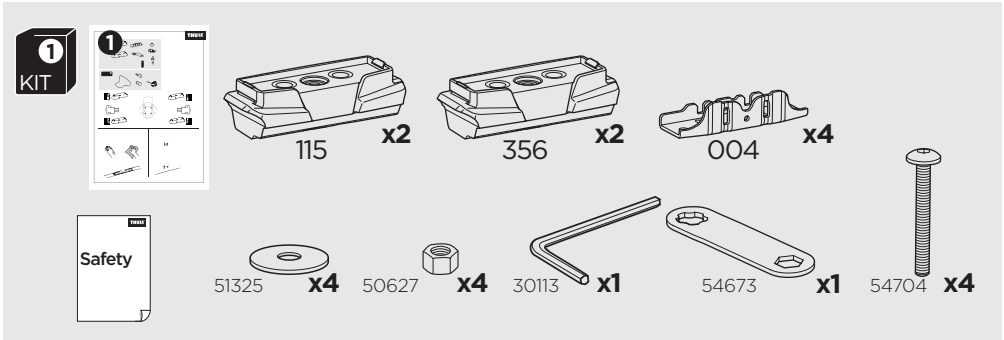


2

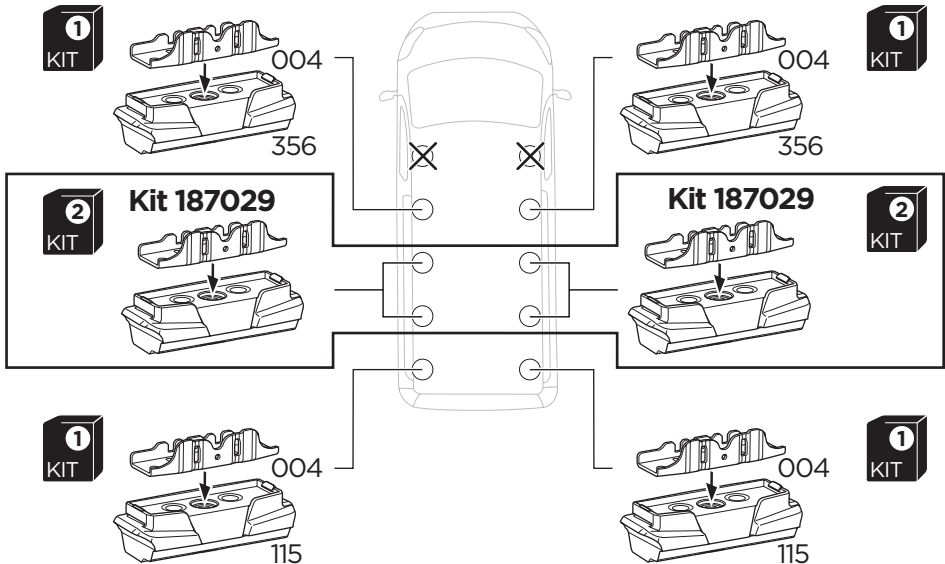


x2

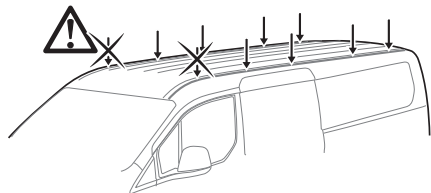
This kit is only for vehicles with fixpoint mounting.



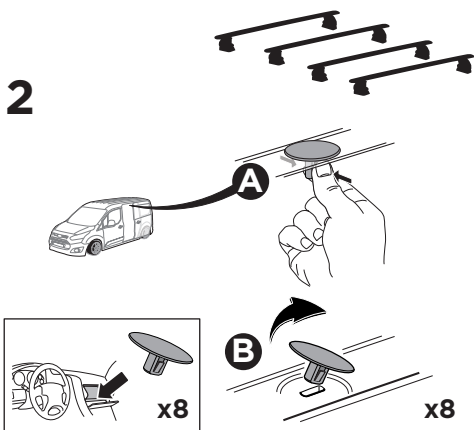
i



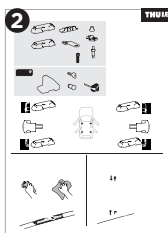
1



2



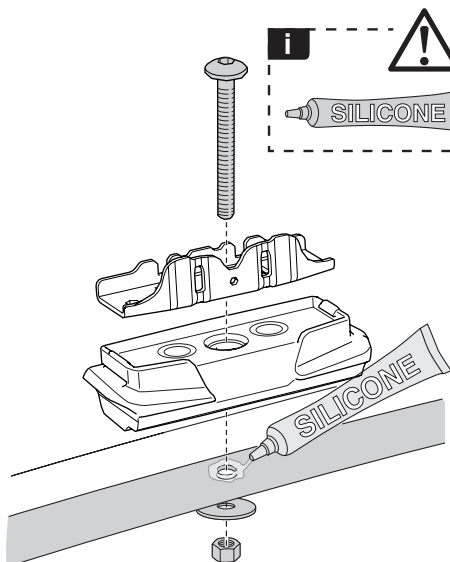
3



Kit 187029

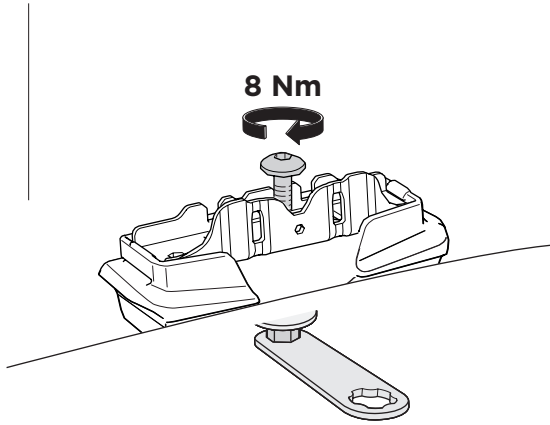
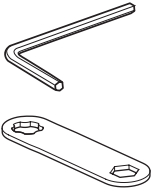


4

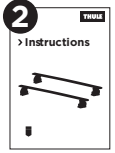


x4

5



8 Nm



2

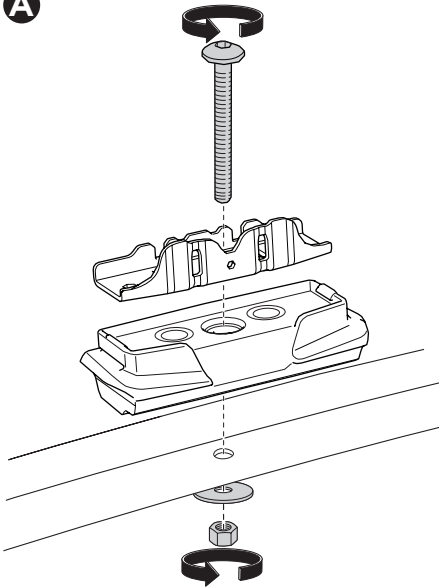


x4

i



A



B

