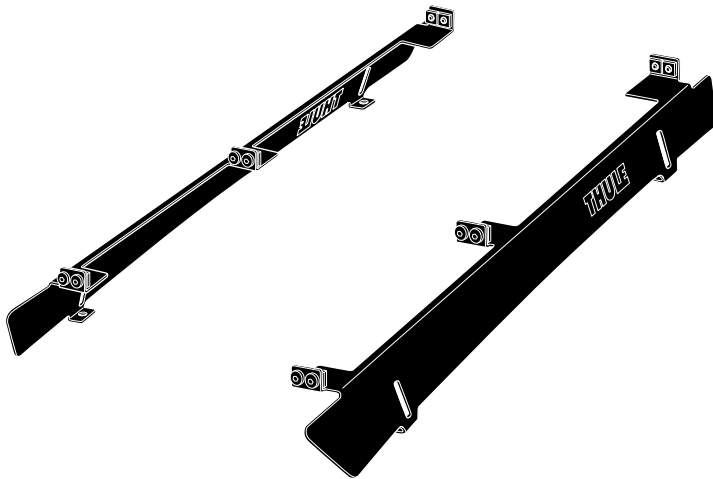
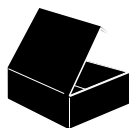


**THULE**<sup>®</sup>  
SWEDEN

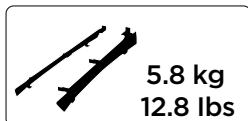
# ➤ Instructions

Thule Caprock rail mount 181005





# VOLKSWAGEN Amarok Double Cab, 4-dr Pickup, 10-22



**THULE**

**Instructions**  
Thule Caprock  
rail mount



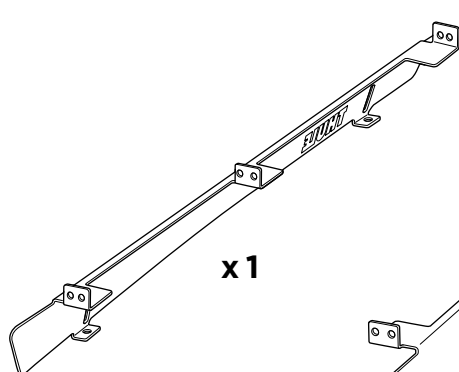
**THULE**

**Instructions**  
Thule Caprock

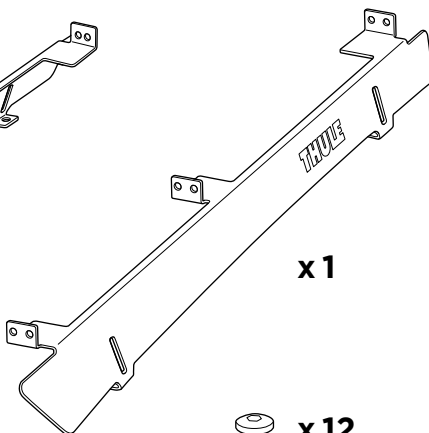


**THULE**

**Safety**



**x1**



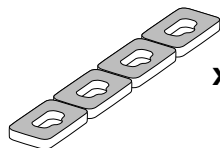
**x1**



**x4**



**x4**



**x1**



**x12**



**x12**



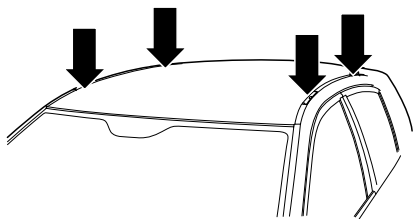
**x1**



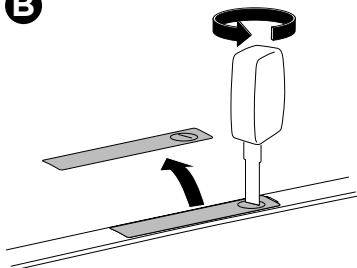
**100 Kg / 220 lbs**

1

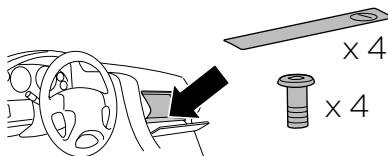
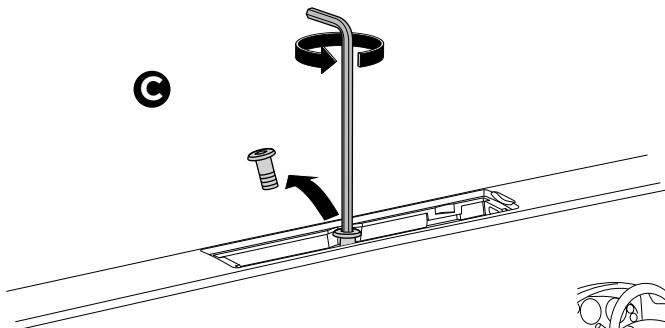
A



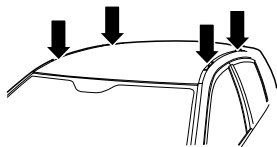
B



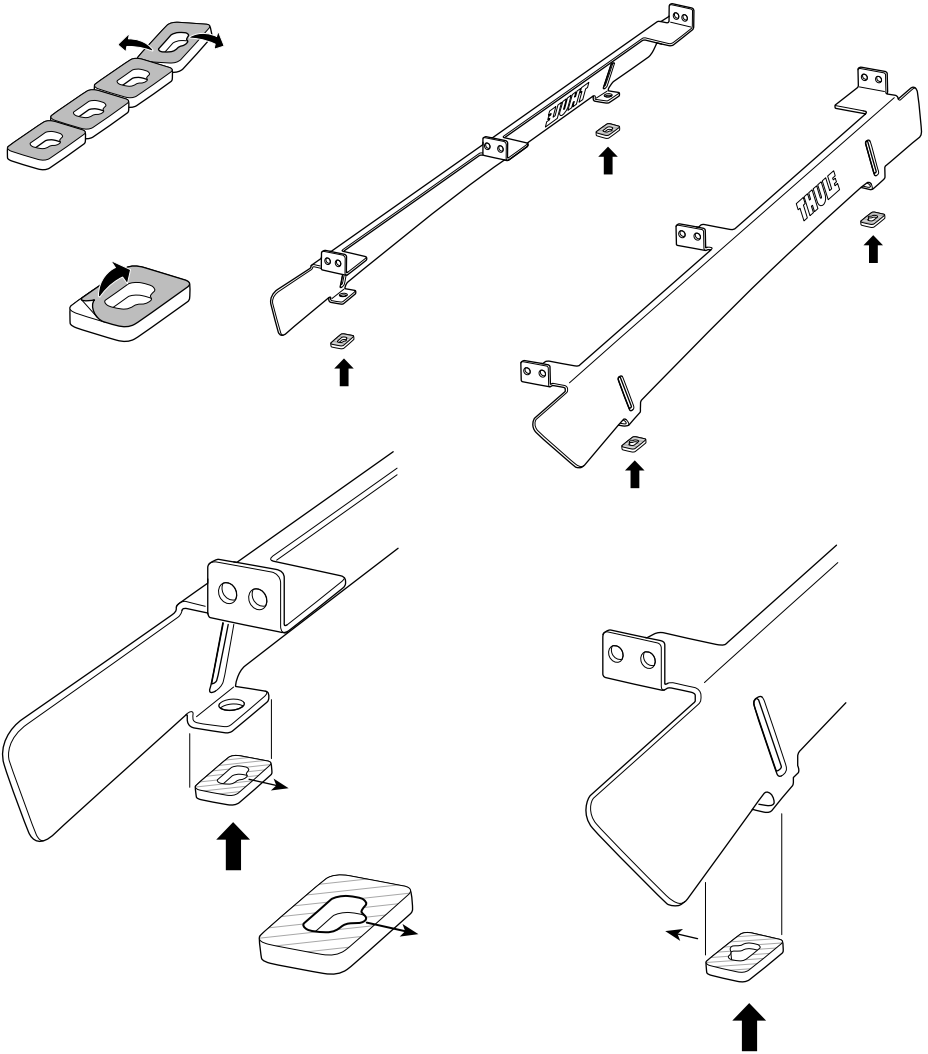
C



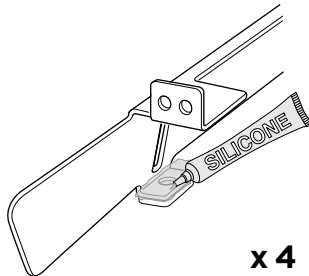
2



3



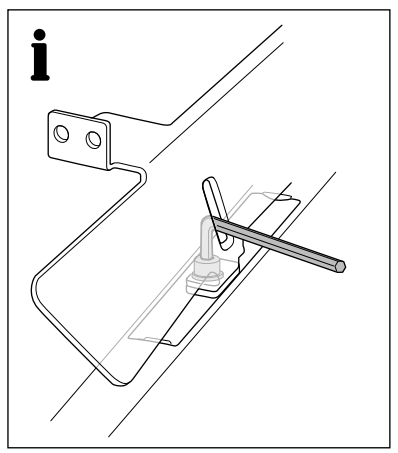
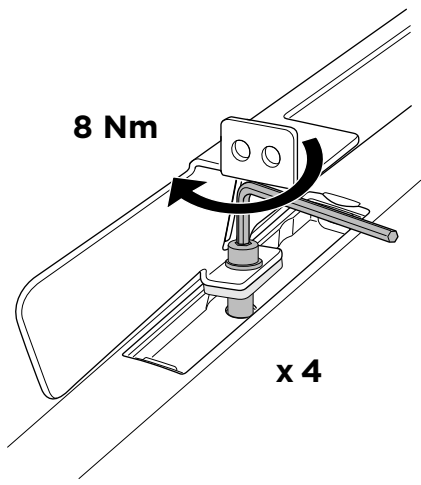
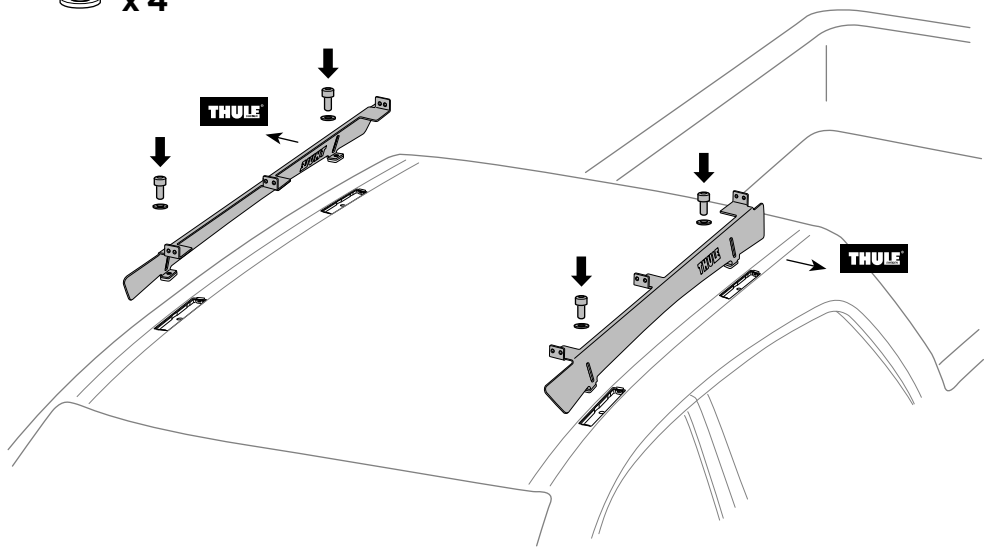
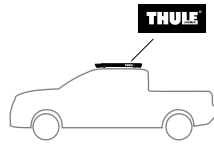
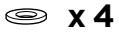
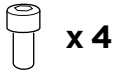
4



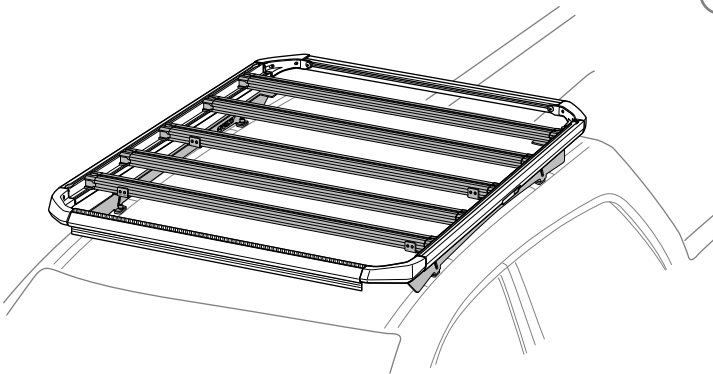
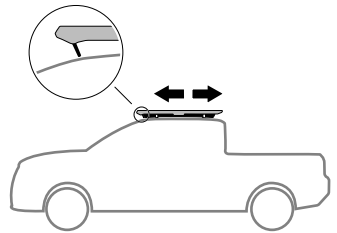
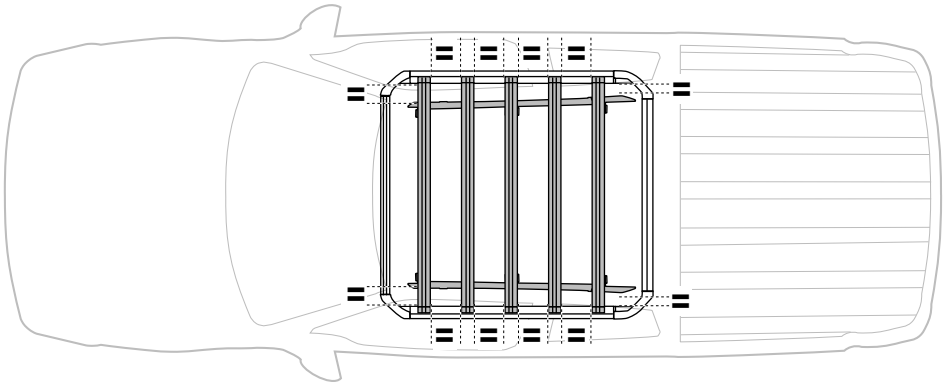
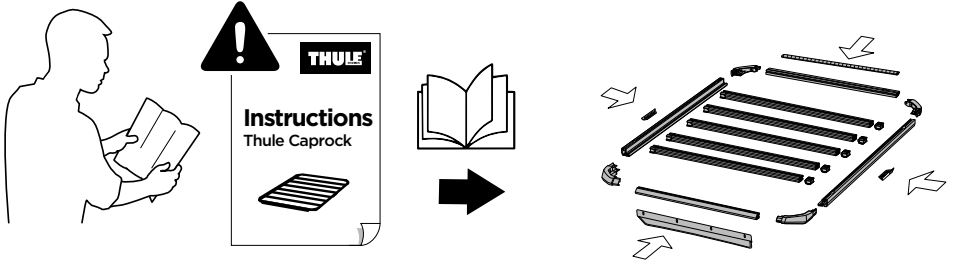
x 4



# 5

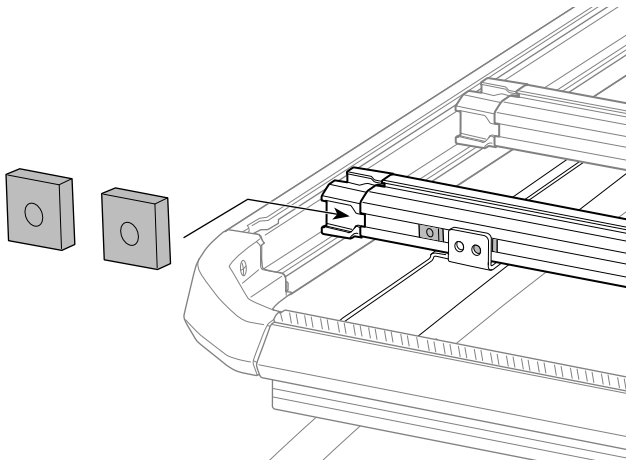
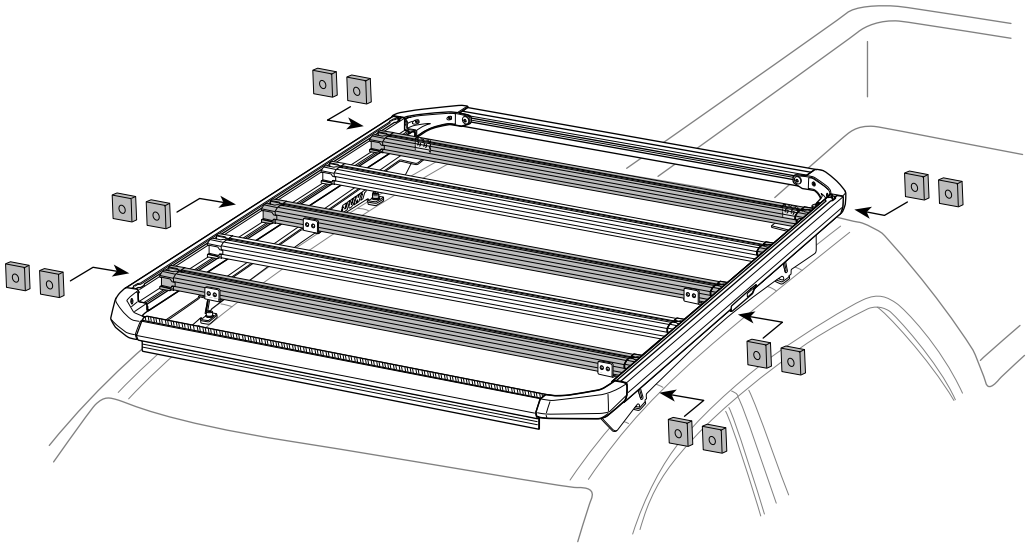


6



# 7

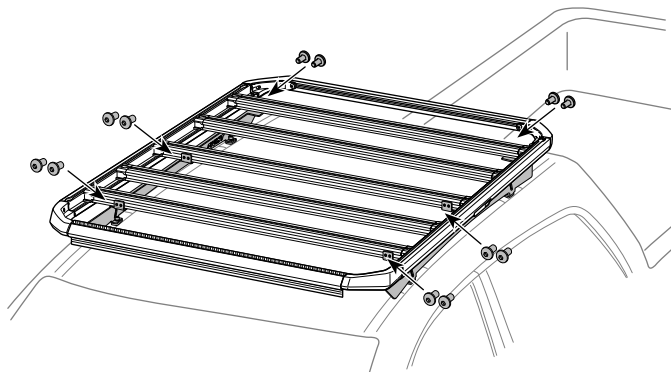
 x 12



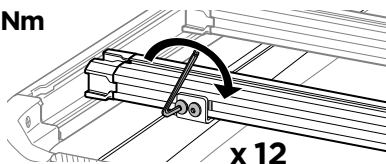
8



x 12

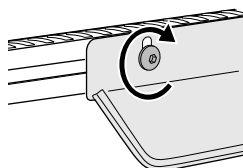


15 Nm

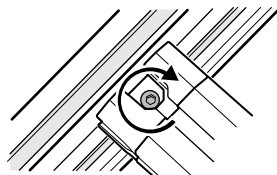


x 12

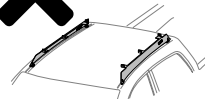
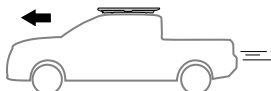
9



15 Nm



15 Nm



Thule Sweden AB, Borggatan 5, 335 73 Hillerstorp, SWEDEN  
info@thule.com | www.thule.com

Thule Inc. 42 Silvermine Road, Seymour, CT 06483

Thule Canada Inc. 710 Bernard, Granby QC J2J 0H6

North American Consumer Service:

Toll Free 800-238-2388, Fax 450-777-3615

www.thule.com

Register online at:

www.thule.com/register

© Thule Group. All rights reserved.  
5564363001 | 2024-12-20 #00

» PART OF THULE GROUP