

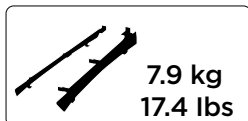
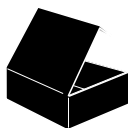
➤ Instructions

Thule Caprock rail mount 181004





TOYOTA Tacoma Crew Cab (Mk.II), 4-dr Pickup. 05-15
TOYOTA Tacoma Crew Cab (Mk.III), 4-dr Pickup. 16-23



THULE

Instructions
Thule Caprock
rail mount



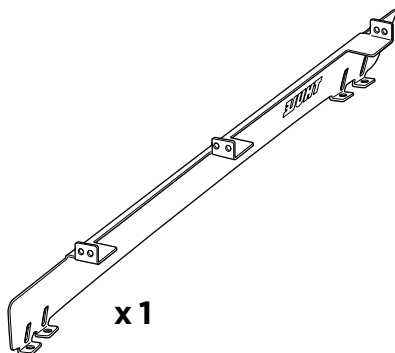
THULE

Instructions
Thule Caprock



THULE

Safety



x 1



x 8

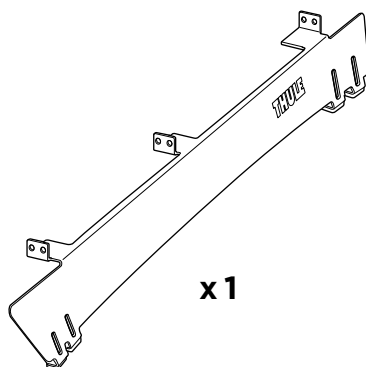


x 8

5 mm
1/4"



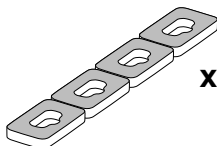
x 1



x 12

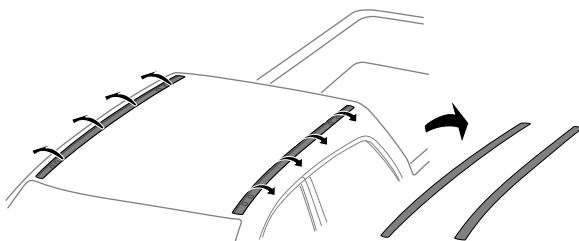
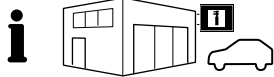


x 12



100 Kg / 220 lbs

1



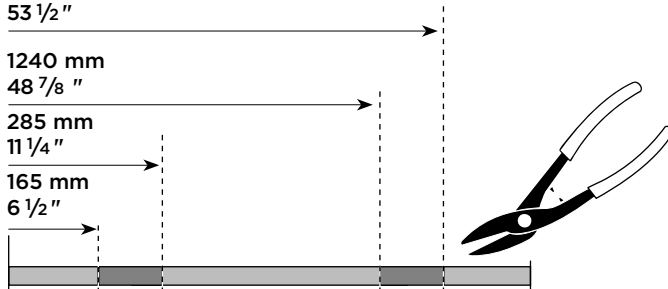
A

1360 mm
53 1/2"

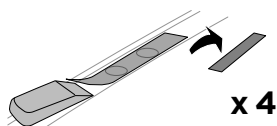
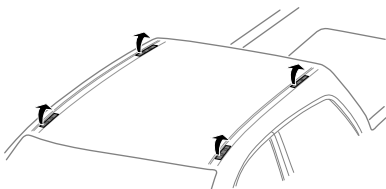
1240 mm
48 7/8"

285 mm
11 1/4"

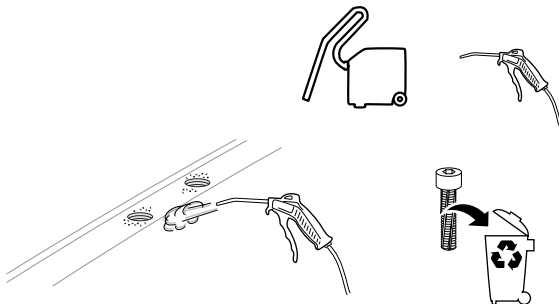
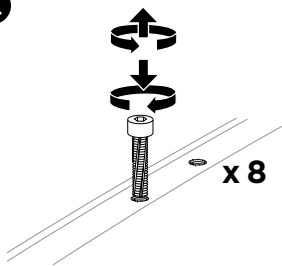
165 mm
6 1/2"



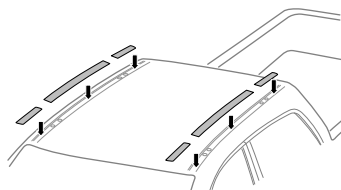
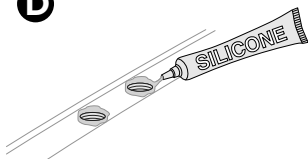
B



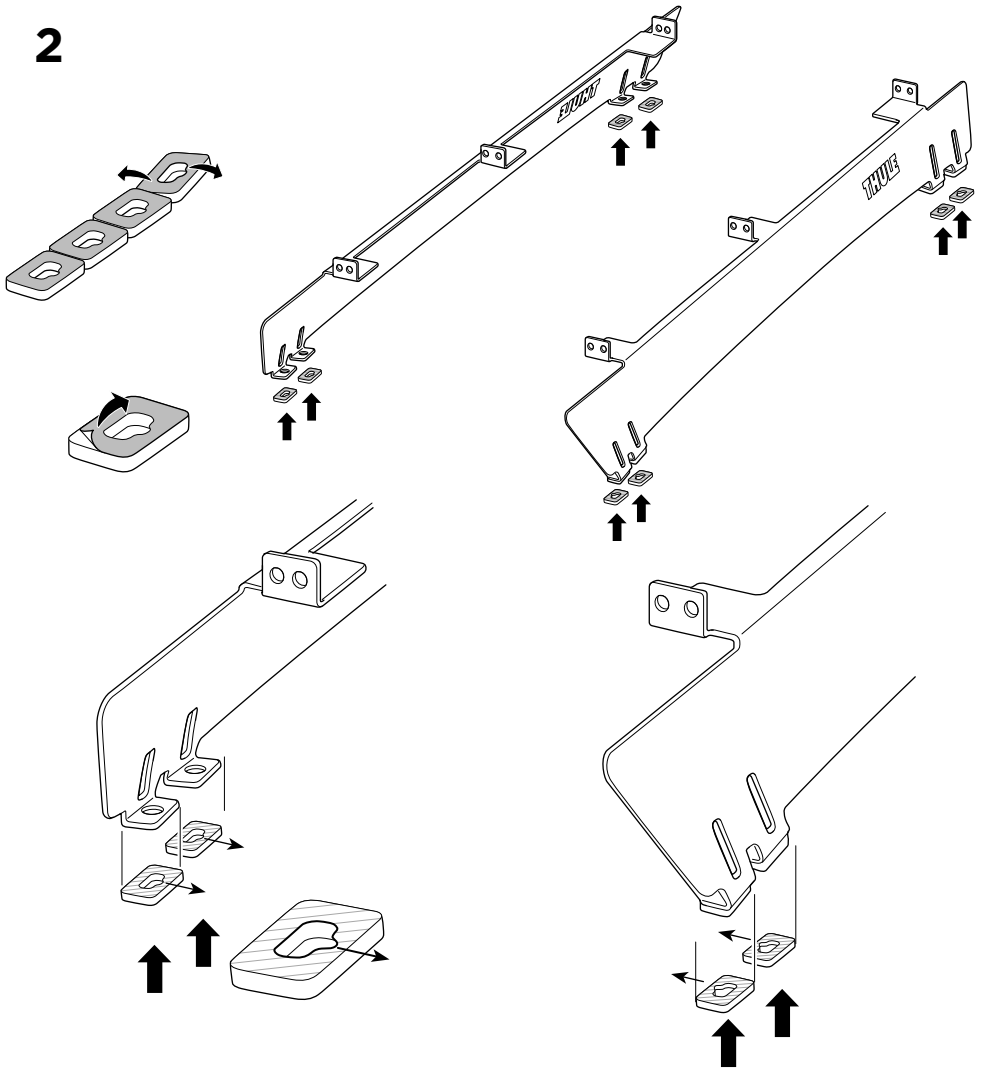
C



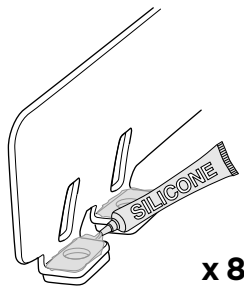
D



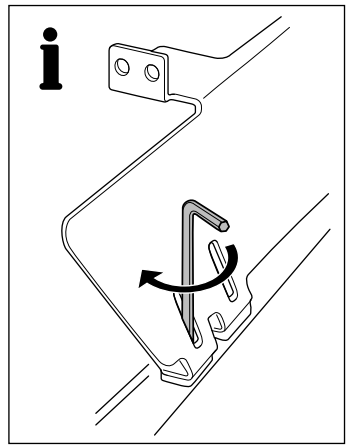
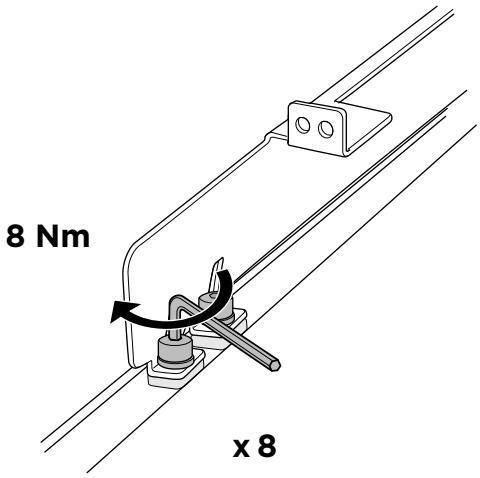
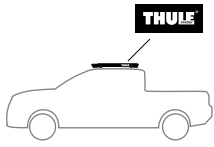
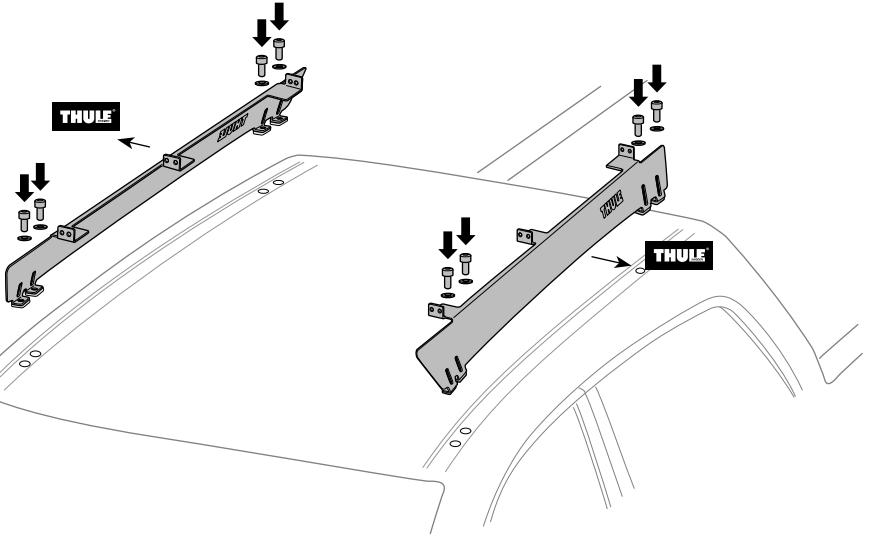
2



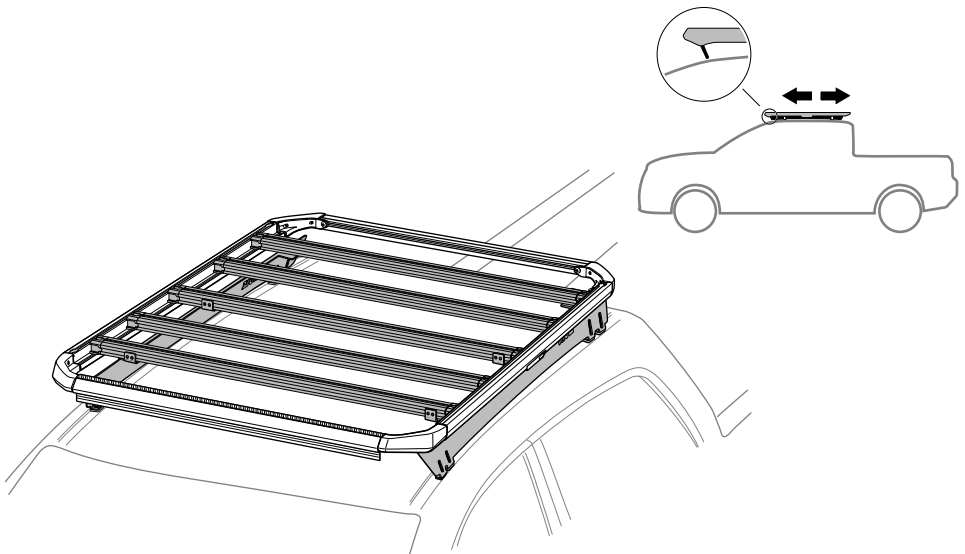
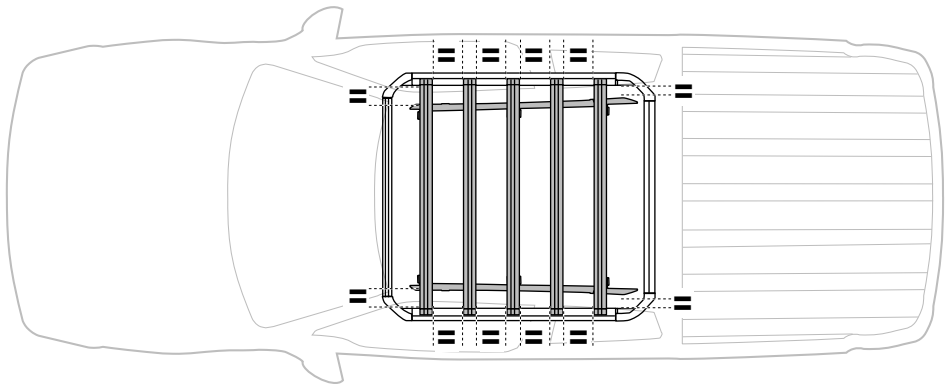
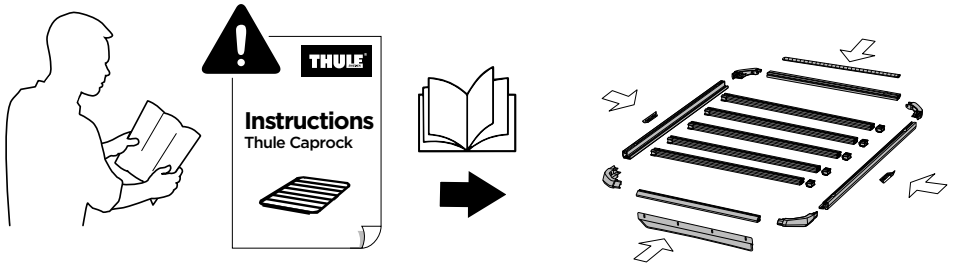
3



4

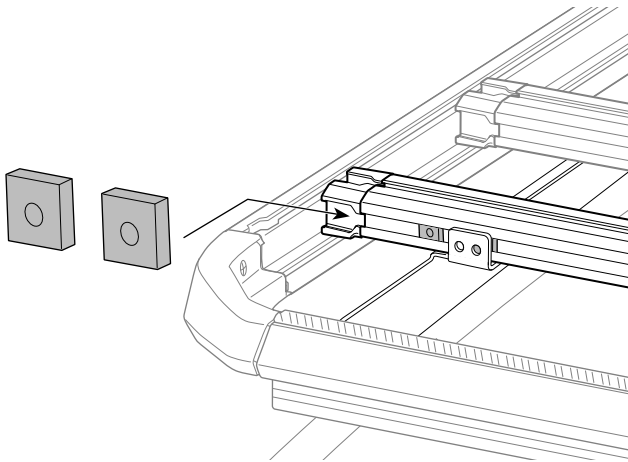
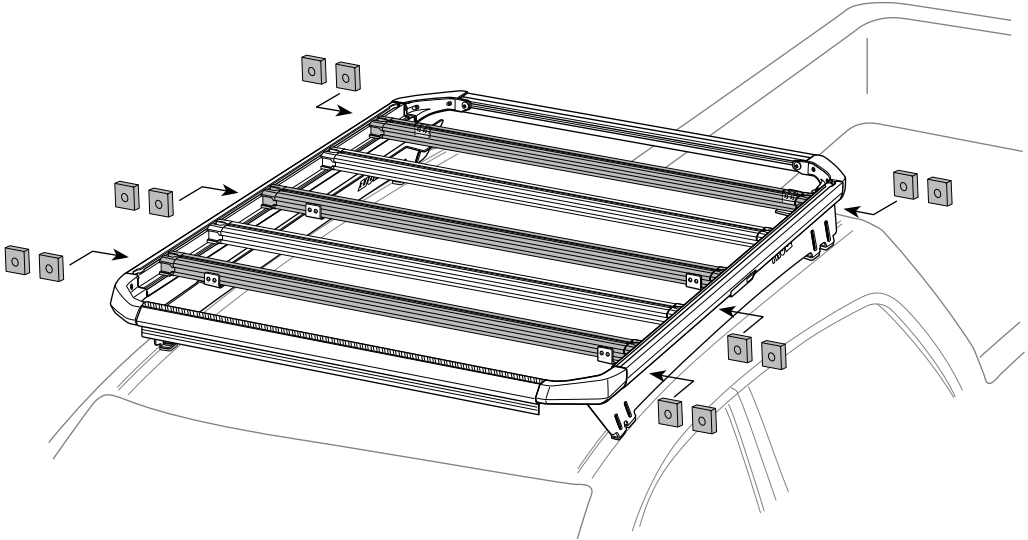


5



6

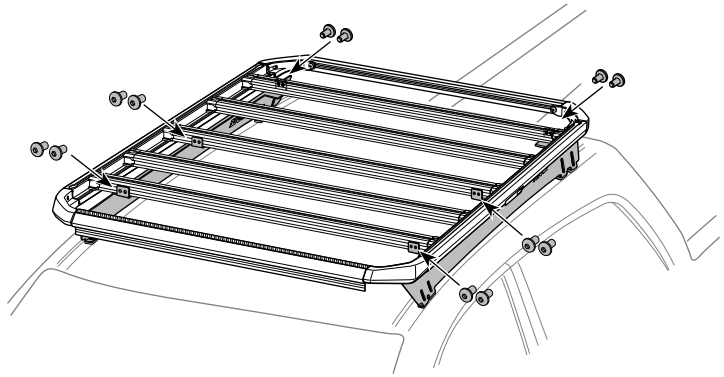
 x 12



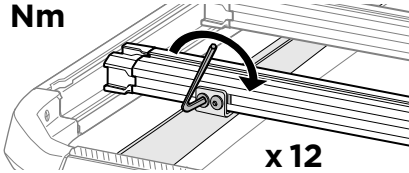
7



x 12

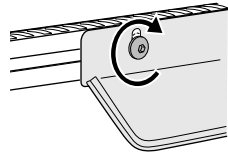


15 Nm

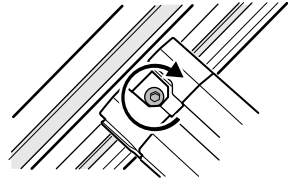


x 12

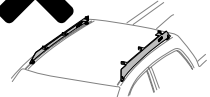
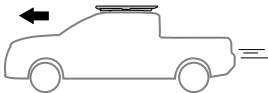
8



15 Nm



15 Nm



Thule Sweden AB. Borggatan 5, 335 73 Hillerstorp, SWEDEN
info@thule.com | www.thule.com

Thule Inc. 42 Silvermine Road, Seymour, CT 06483

Thule Canada Inc. 710 Bernard, Granby QC J2J 0H6

North American Consumer Service:

Toll Free 800-238-2388, Fax 450-777-3615

www.thule.com

Register online at:

www.thule.com/register

© Thule Group. All rights reserved.
5564362001 | 2024-12-20 #00

» PART OF THULE GROUP