

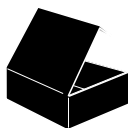
# ➤ Instructions

Thule Caprock rail mount 181003





**MITSUBISHI L200** Double Cab (Mk.V) 4-dr Pickup, 15-23  
**MITSUBISHI Triton** Double Cab (Mk.V) 4-dr Pickup, 15-23  
**FIAT Fullback** Double Cab (Mk.I) 4-dr Pickup, 15-



**THULE**

**Instructions**  
 Thule Caprock  
 rail mount



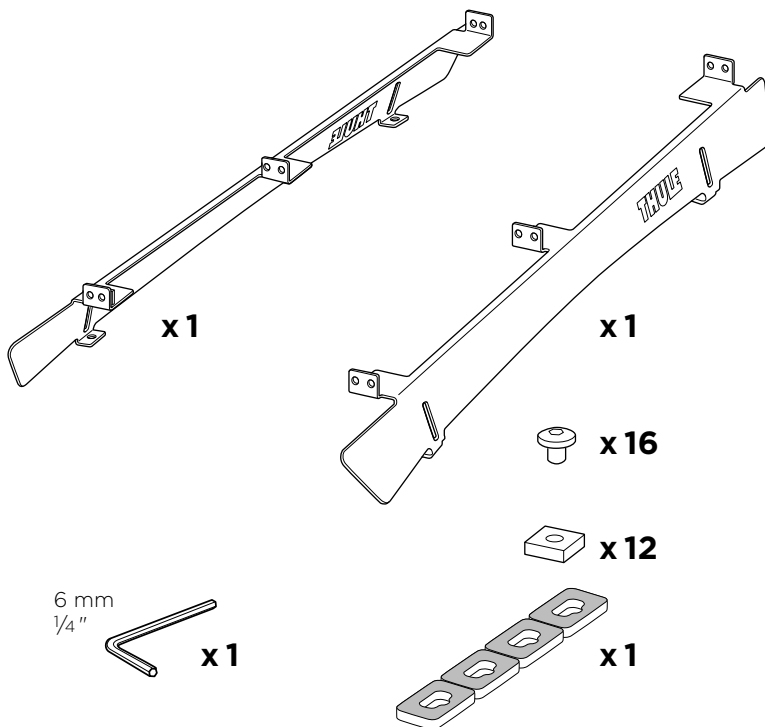
**THULE**

**Instructions**  
 Thule Caprock



**THULE**

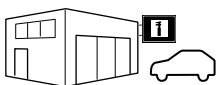
**Safety**



**100 Kg / 220 lbs**

1

i

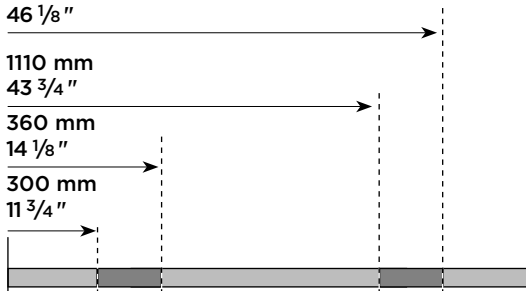


1170 mm  
46 1/8"

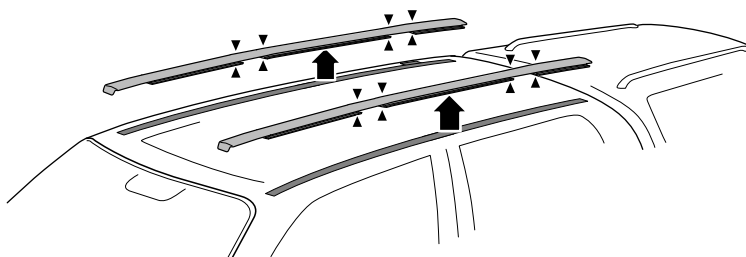
1110 mm  
43 3/4"

360 mm  
14 1/8"

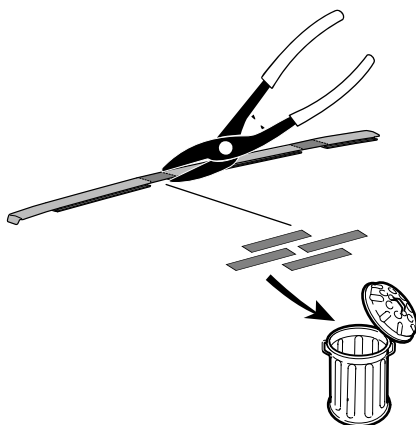
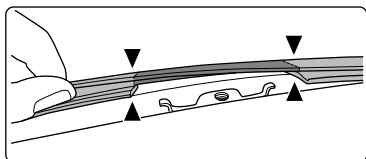
300 mm  
11 3/4"



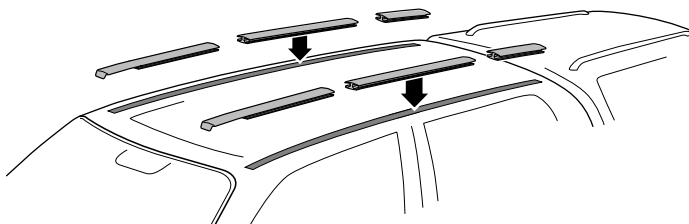
A



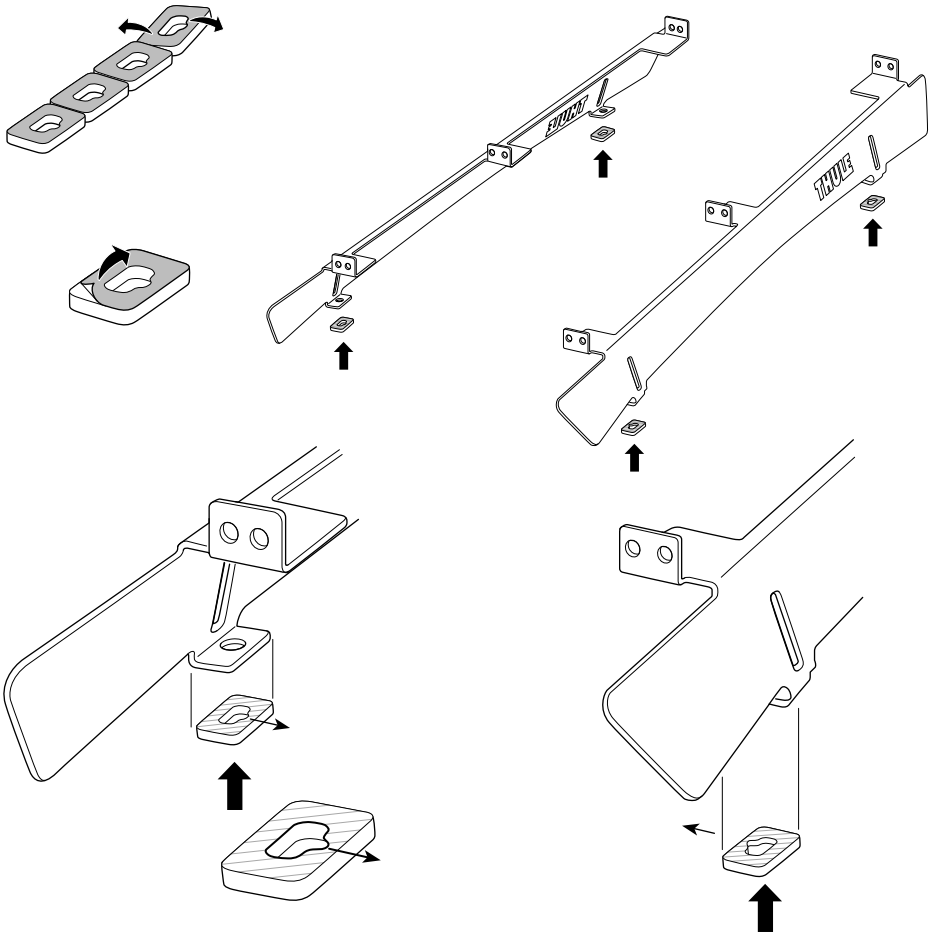
B



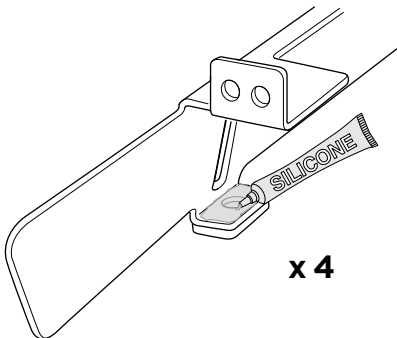
C



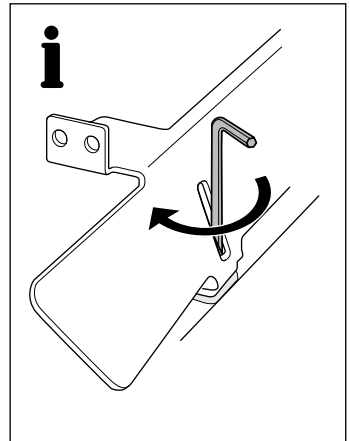
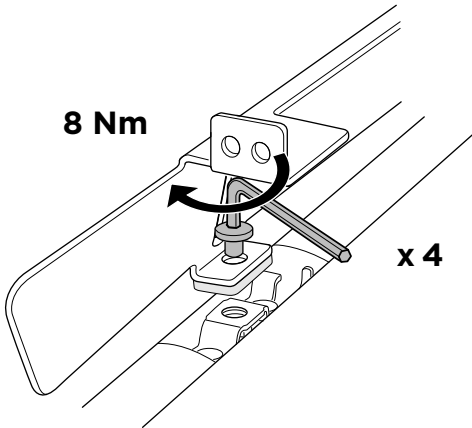
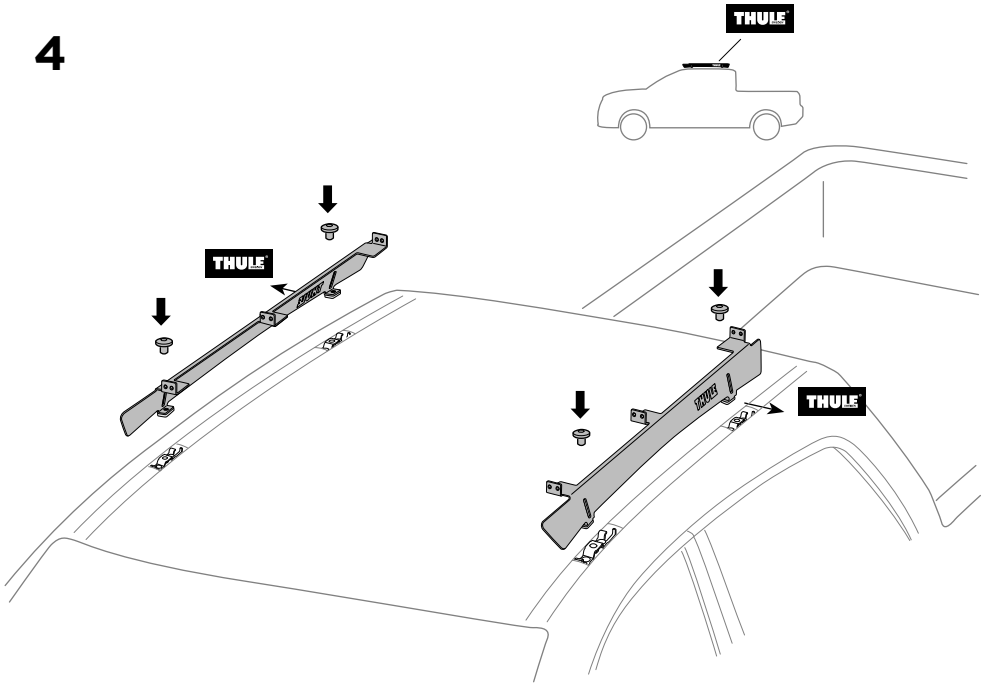
2



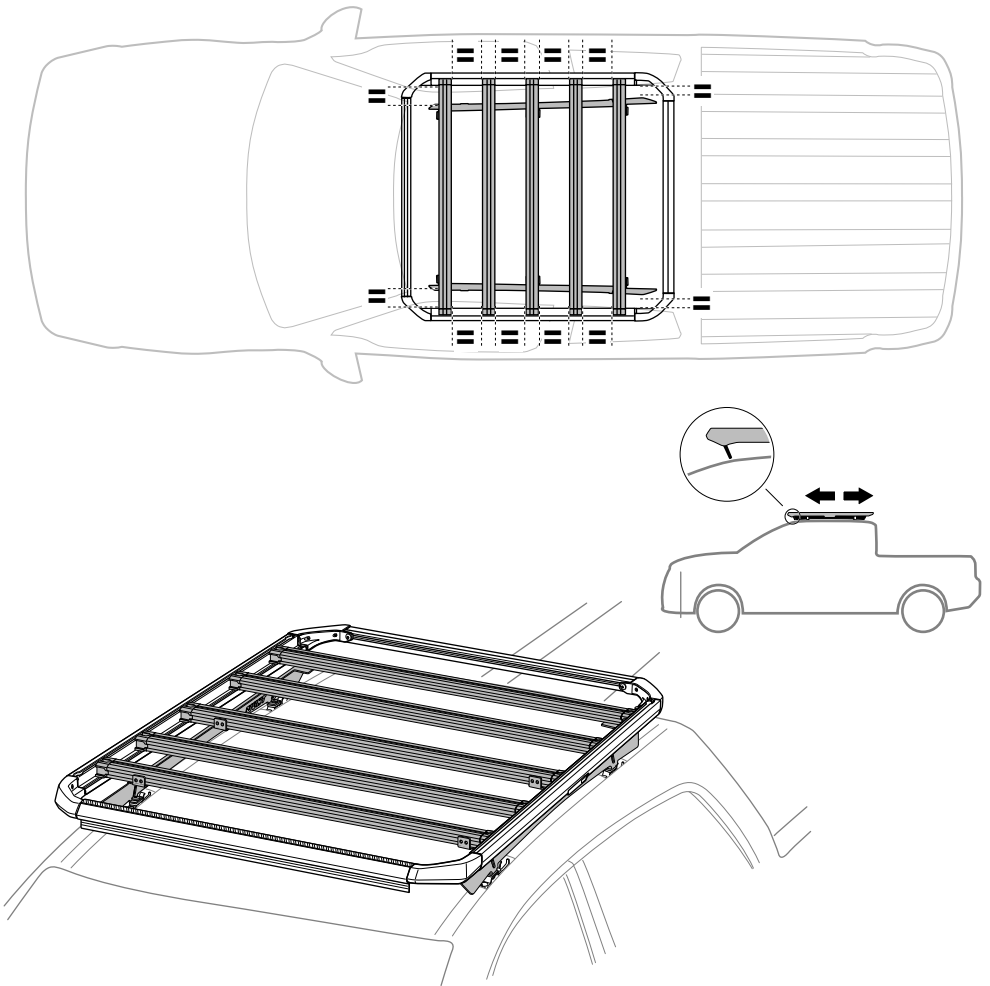
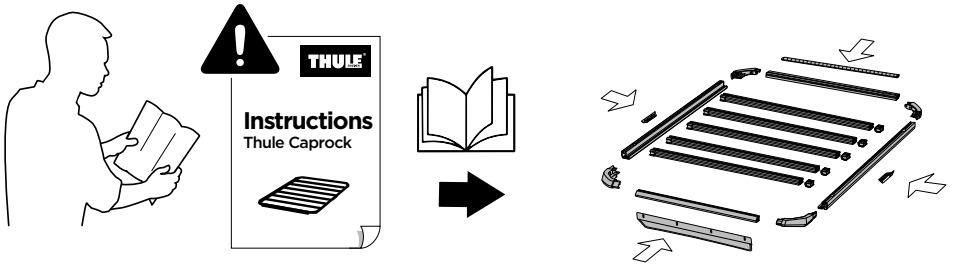
3



4



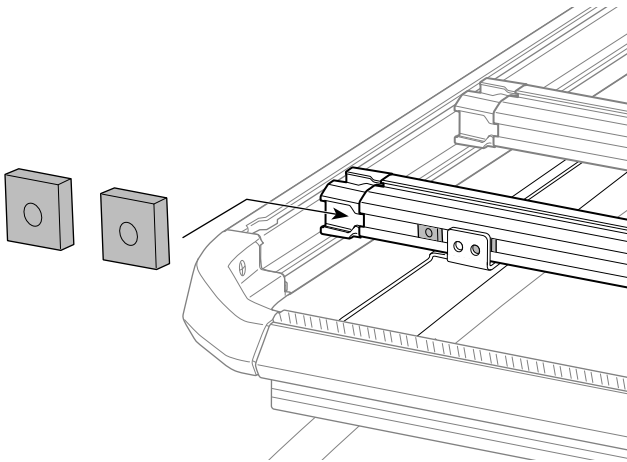
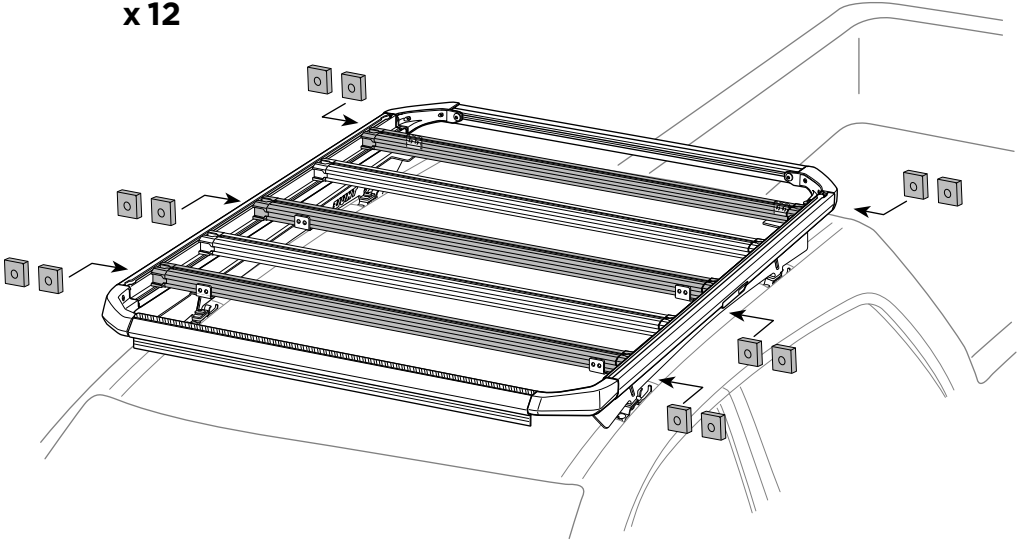
# 5



# 6

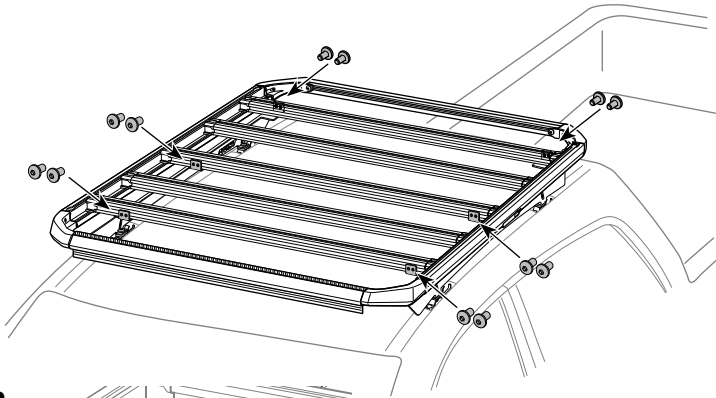


x 12

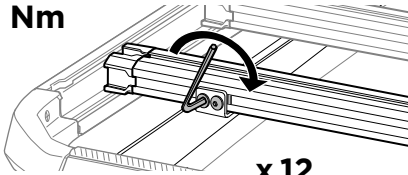


7

 x 12

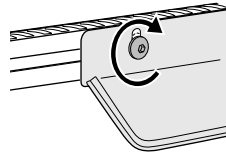
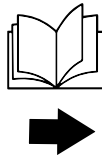


15 Nm

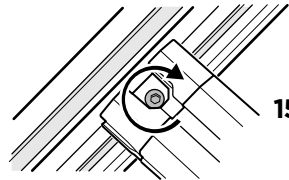


x 12

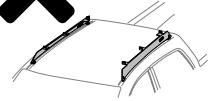
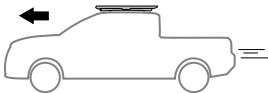
8



15 Nm



15 Nm



**Thule Sweden AB.** Borggatan 5, 335 73 Hillerstorp, SWEDEN  
*info@thule.com | www.thule.com*

**Thule Inc.** 42 Silvermine Road, Seymour, CT 06483

**Thule Canada Inc.** 710 Bernard, Granby QC J2J 0H6

**North American Consumer Service:**

*Toll Free 800-238-2388, Fax 450-777-3615*

*www.thule.com*

**Register online at:**

*www.thule.com/register*

© Thule Group. All rights reserved.  
5564361001 | 2024-12-20 #00

» PART OF THULE GROUP