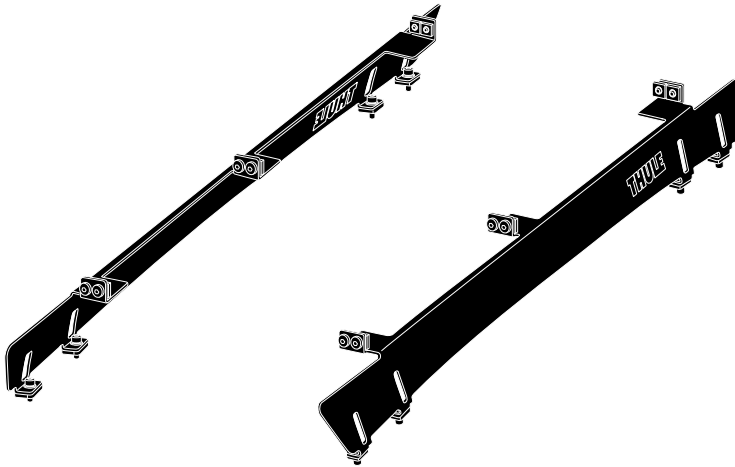


➤ Instructions

Thule Caprock rail mount 181002





ISUZU D-Max Crew Cab (Mk. III), 4-dr Pickup. 20-
MAZDA BT-50 Dual Cab (Mk. III), 4-dr Pickup. 20-



THULE

Instructions
 Thule Caprock
 rail mount



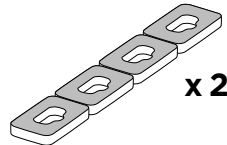
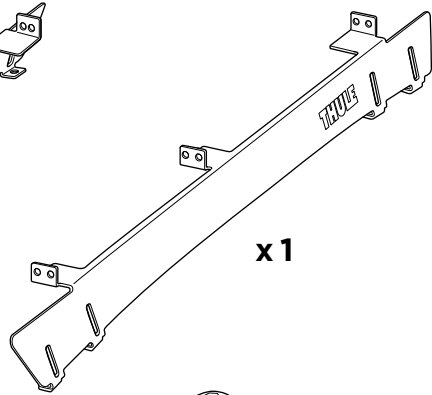
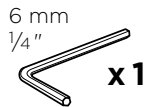
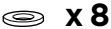
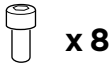
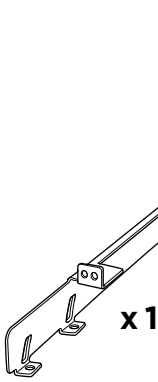
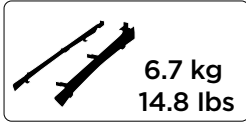
THULE

Instructions
 Thule Caprock



THULE

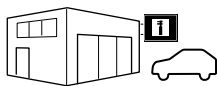
Safety



100 Kg / 220 lbs

1

i

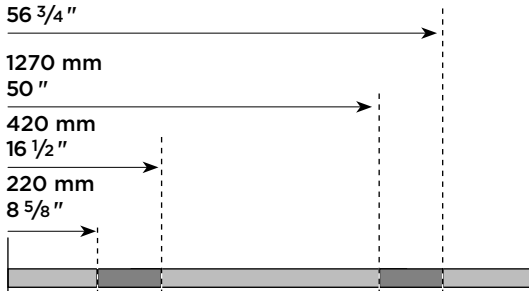


1440 mm
56 3/4"

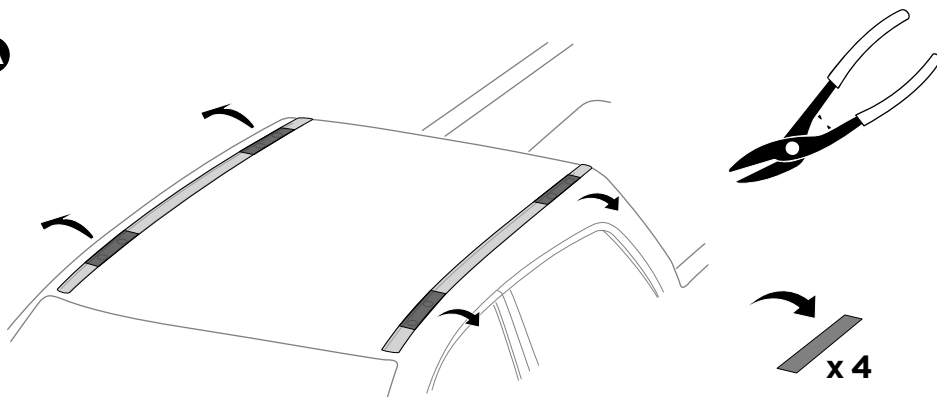
1270 mm
50"

420 mm
16 1/2"

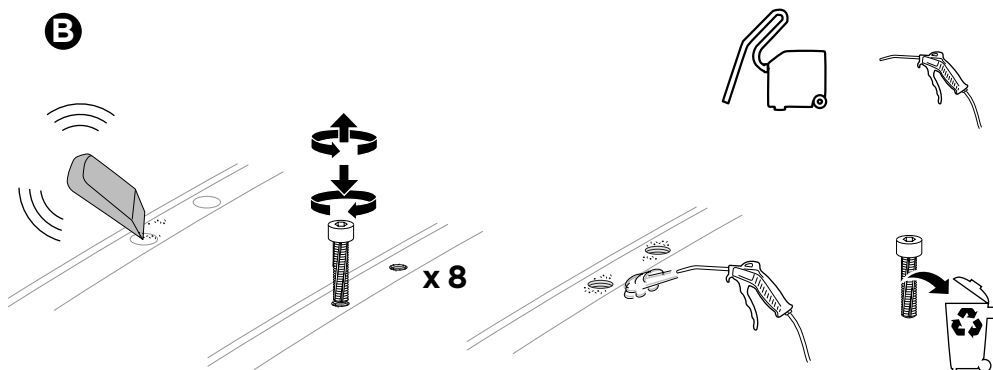
220 mm
8 5/8"



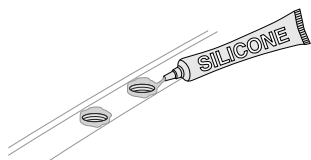
A



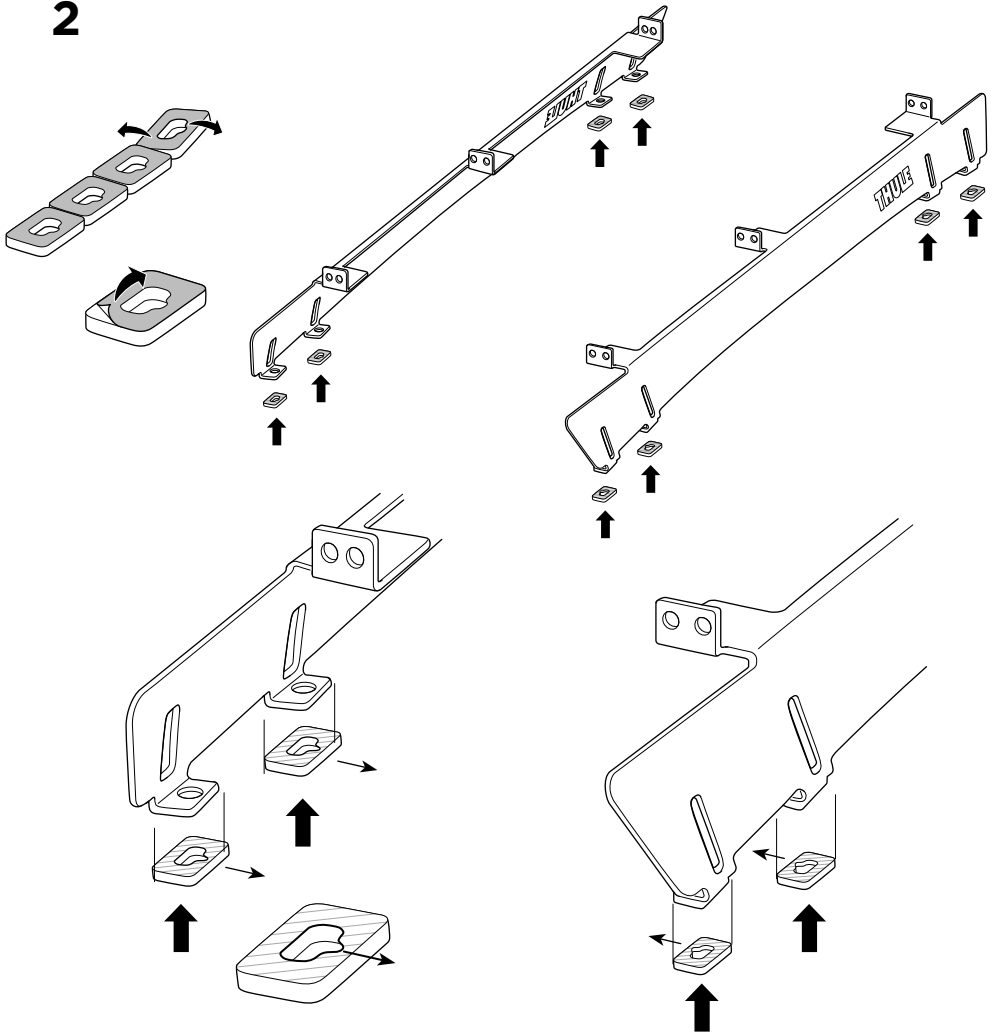
B



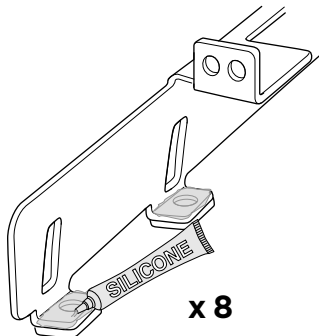
C



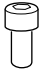
2




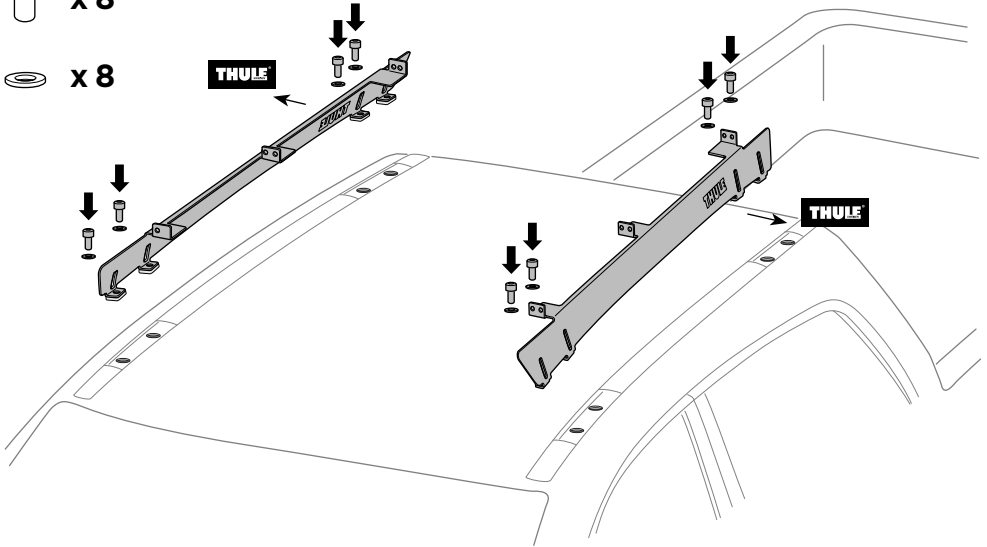
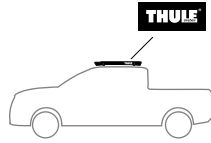
3



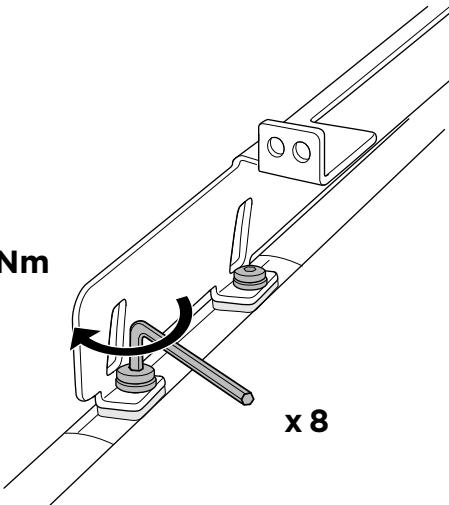
4

 x 8

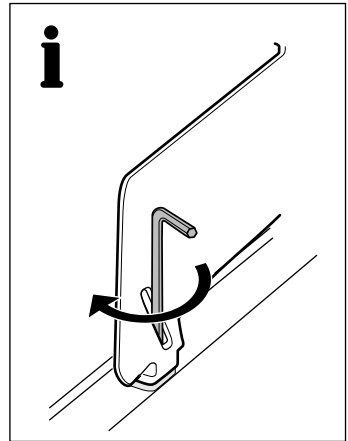
 x 8



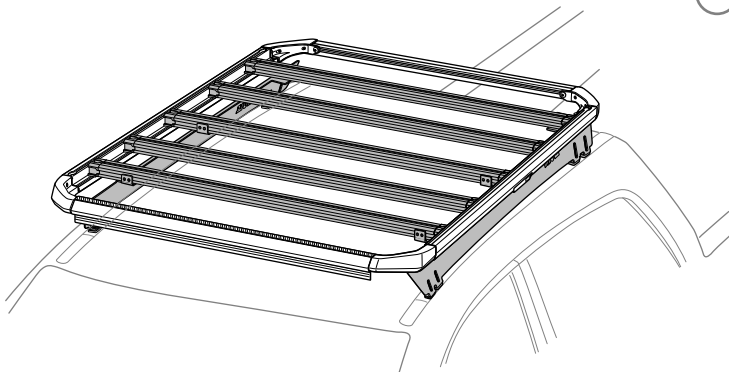
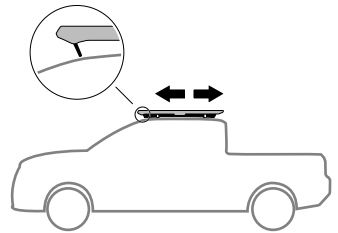
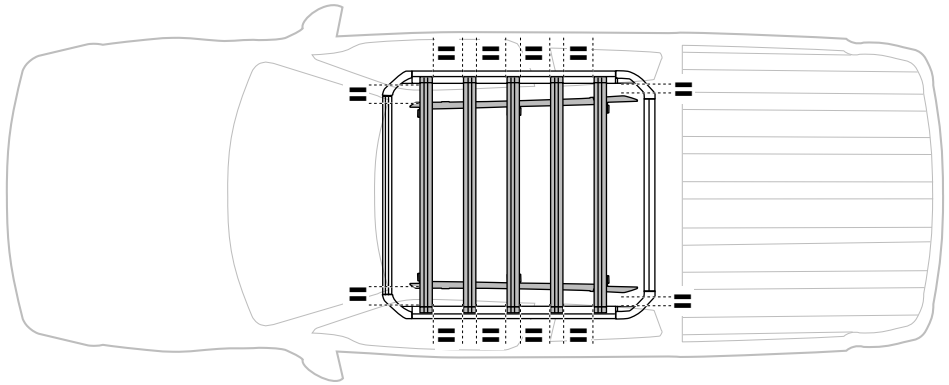
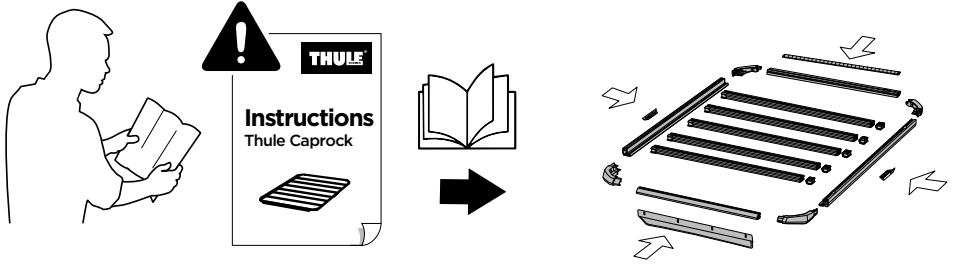
8 Nm



x 8

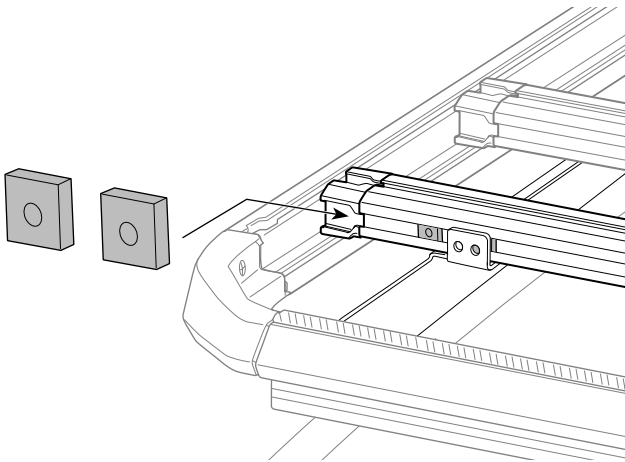
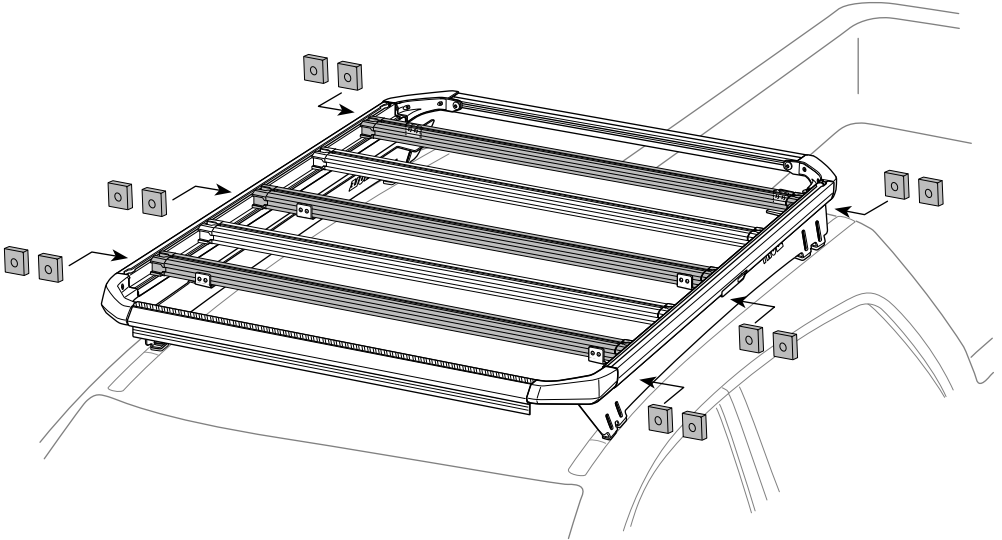


5



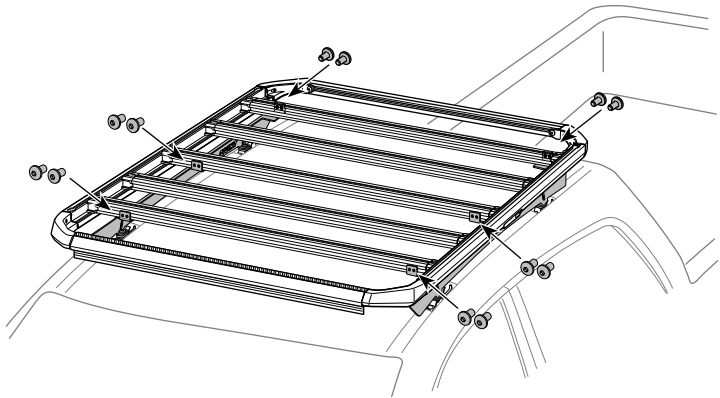
6

 x 12

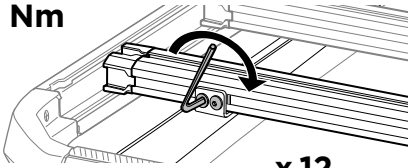


7

 x 12

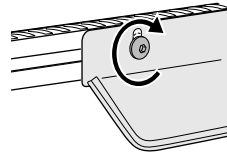
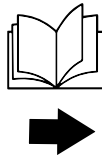


15 Nm

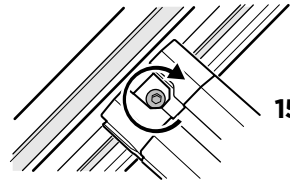


x 12

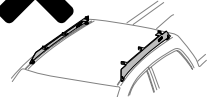
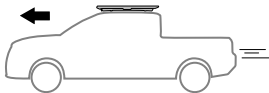
8



15 Nm



15 Nm



Thule Sweden AB. Borggatan 5, 335 73 Hillerstorp, SWEDEN
info@thule.com | www.thule.com

Thule Inc. 42 Silvermine Road, Seymour, CT 06483

Thule Canada Inc. 710 Bernard, Granby QC J2J 0H6

North American Consumer Service:

Toll Free 800-238-2388, Fax 450-777-3615

www.thule.com

Register online at:

www.thule.com/register

© Thule Group. All rights reserved.
5564360001 | 2024-12-20 #00

» PART OF THULE GROUP