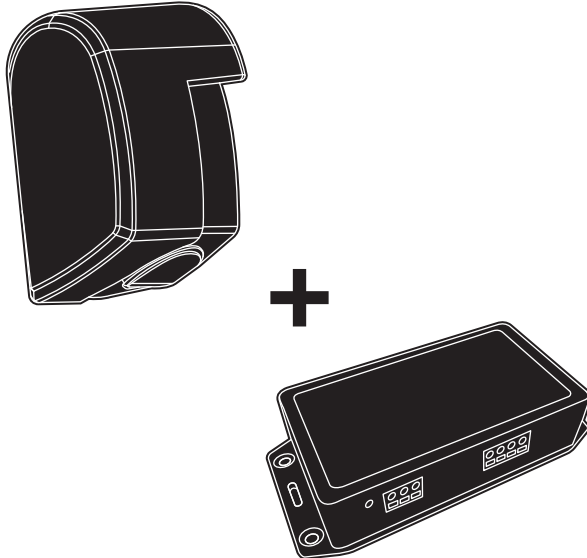
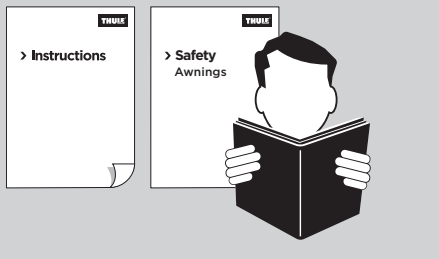


INSTALLATION

➤ Instructions

Thule Omnistor Motor Kit 12V
301296 - 301298





DE	Markise - Anleitung
NL	Luifel - Instructies
FR	Store - Instructions
IT	Tendalino - Istruzioni
ES	Toldo - Instrucciones
SV	Markisen - Instruktioner
FI	Markiisit - Ohjeet
DA	Markisen - Instruktioner
NO	Markisen - Instruksjoner

PL	Markiza - Instrukcje
PT	Toldo - Instrukções
CS	Markýza - Návod
SL	Ponjava - Navodila
TR	Güneşlik - Talimatlar
ZH	遮阳篷 - 说明
JA	オーニング - 取扱説明書
KO	어닝 - 지침

1 WARNINGS & INFO

4

Warnungen & Infos / Waarschuwingen & info / Avertissements & informations / Avvertenze & informazioni / Advertencias & información / Varningar & information / Varoituksia & tietoja / Advarsler & info / Advarsler & information / Ostrzeżenia & informacje / Avisos e informações / Varování a informace / Opozorila in informacije / Uyarılar ve Bilgiler / 警告和信息 / 警告と情報 / 경고 및 정보

2 CONTENT

4

Inhalt / Inhoudsopgave / Sommaire / Contenuto / Contenido / Innehåll / Sisällys / Indhold / Innhold / Treść / Índice / Obsah / Kazalo / İçerik / 目录 / 目次 / 목차

3 TOOLS

4

Werkzeuge / Gereedschappen / Outils / Strumenti / Herramientas / Verktøy / Työkalut / Værktøj / Verktøy / Narzędzia / Ferramentas / Nářadí / Orodja / Aletler / 工具 / ツール / 도구

4 INSTALLATION

5

Montage / Installatie / Installation / Installazione / Instalación / Montering / Asennus / Montering / Montering / Montaj / Instalação / Montáž / Namestitev / Montaj / 安装 / 取り付け / 설치

5 ELECTRICAL INSTALLATION

8

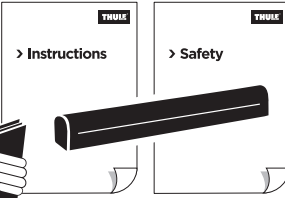
Elektrische Installation / Elektrische installatie / Installation électrique / Installazione elettrica / Instalación eléctrica / Elinstallation / Sähköasennus / Elektrisk montering / Elektrisk montering / Instalacja elektryczna / Instalação eléctrica / Elektroinstalace / Električna namestitev / Elektrik Montaji / 电气装置 / 電動取り付け / 전기적 설치

6 MANUAL OVERRIDE

13

Manuelle Freigabe / Handmatige ontkoppeling / Déblocage manuel / Sgancio manuale / Liberación manual / Manuell frigöring / Manuaalinen vapautus / Manuel udløsning / Manuell utløsning / Demontaż ręczny / Desengate manual / Ručni odepnuti / Ročno odpenjanje / El ile kilit açma / 手动卸载 / 手動リリース / 수동 해제

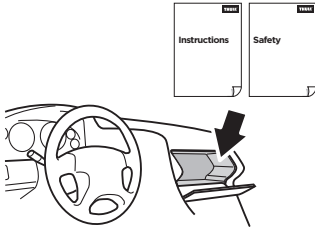
1 WARNINGS & INFO



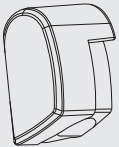
OK



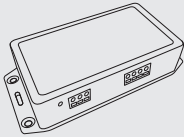
NOT OK



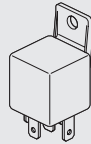
2 CONTENT



x1



x1



x1

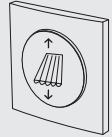


x1

x1



x1

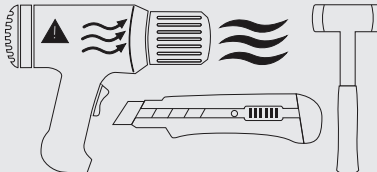


x1

3 TOOLS



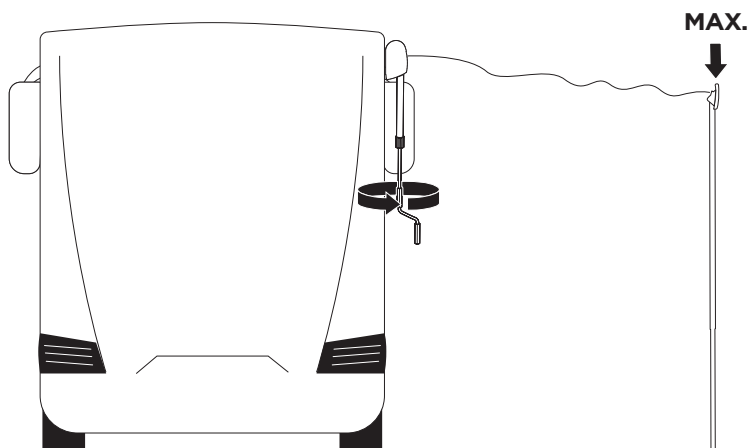
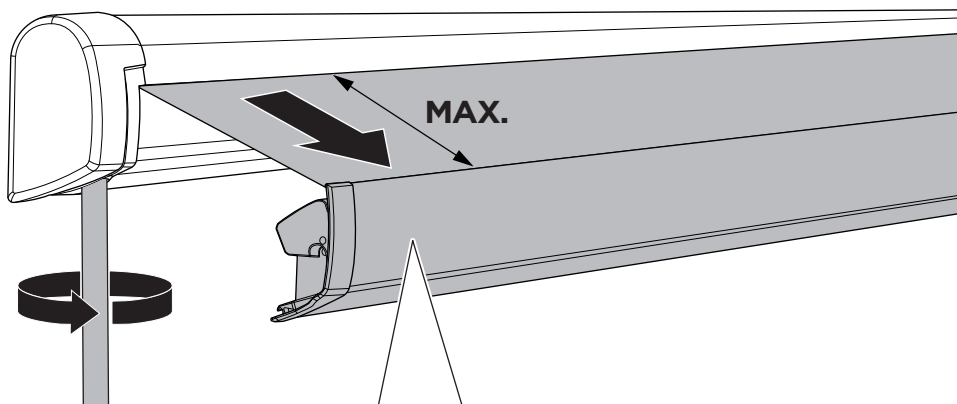
TX20



4 INSTALLATION

THULE AWNING LENGTH	MOTOR KIT 12V
1,90 m	✗
2,30 m	✗
2,60 m	✗
3 m	✓
3,50 m	✓
4 m	✓
4,50 m	✓
5 m	✓

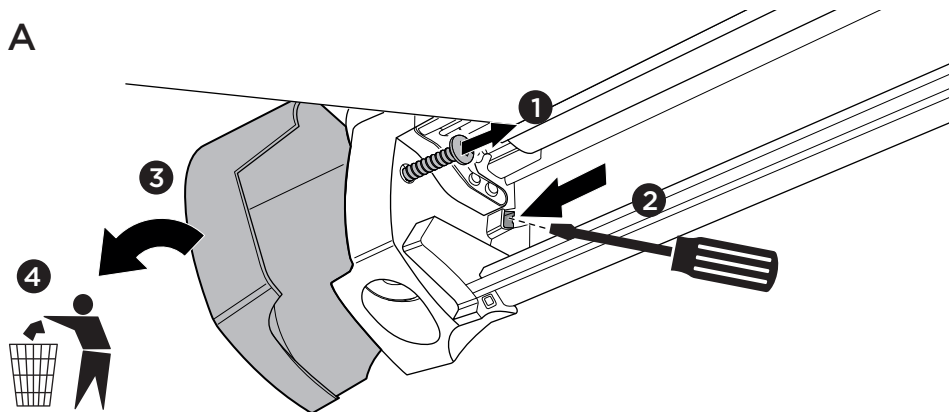
1



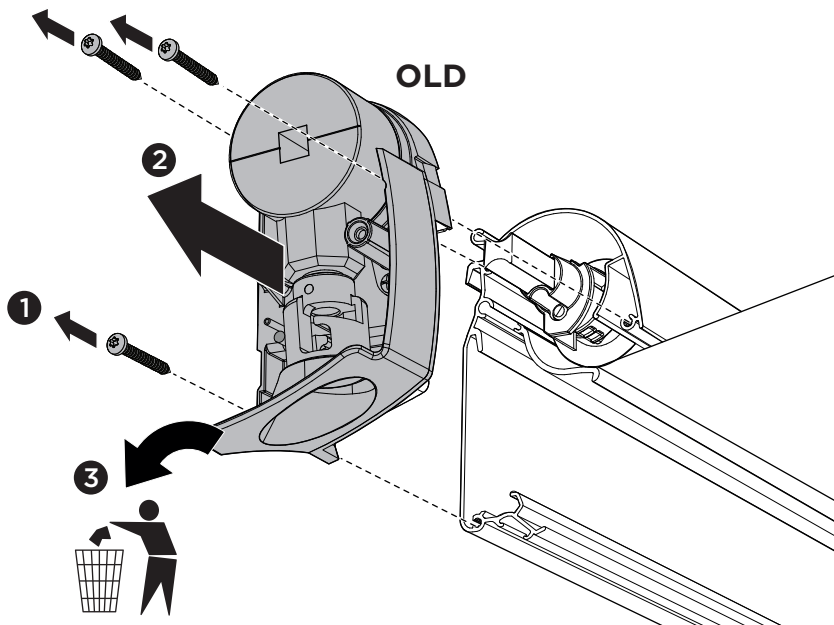
2



A



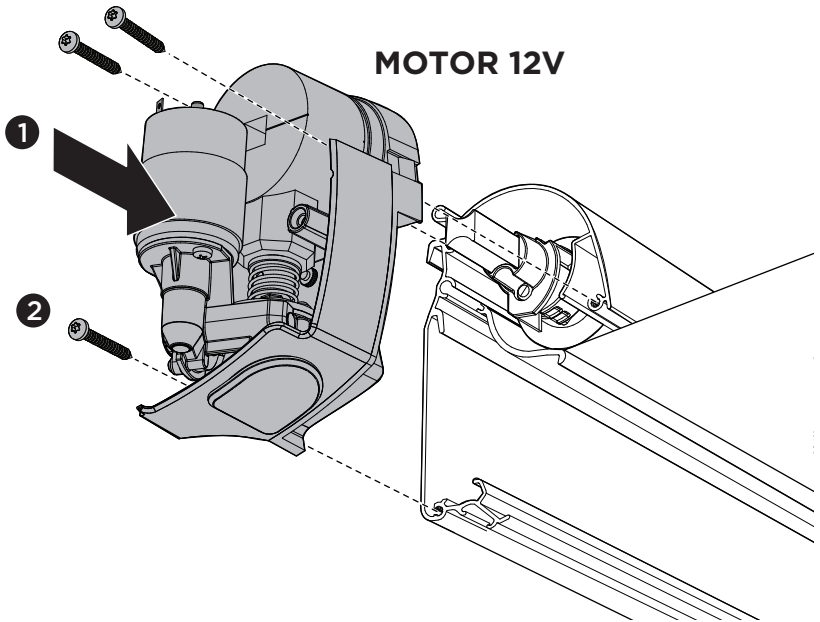
B



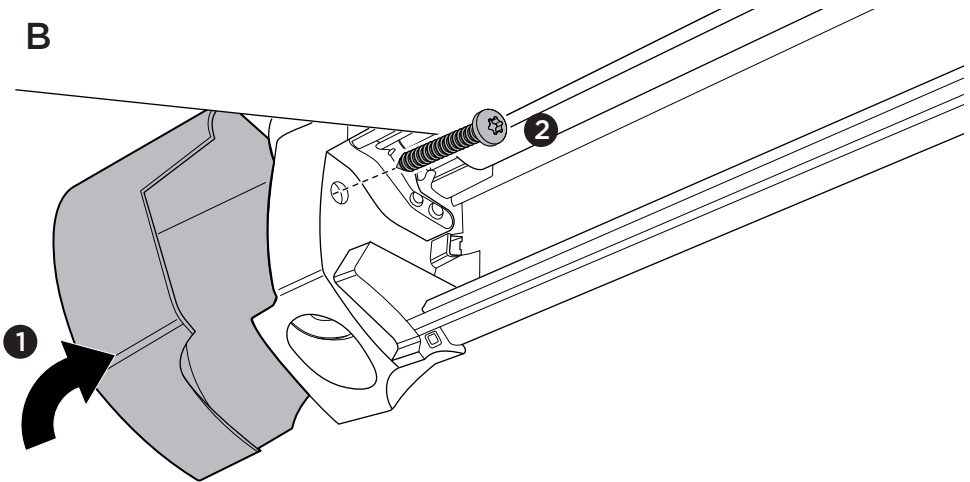
3



A

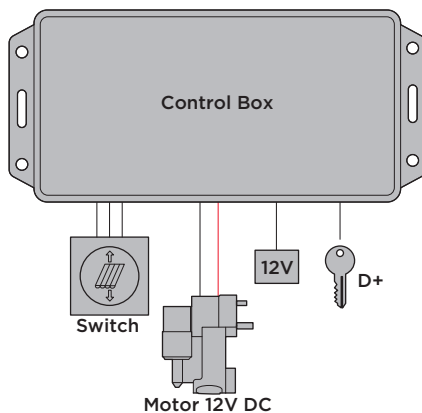


B



5 ELECTRICAL INSTALLATION

i



UK
CA



CE

THULE MOTOR 12V TECHNICAL SPECIFICATIONS

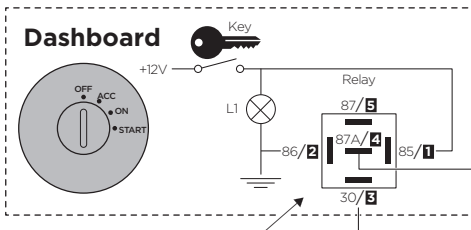
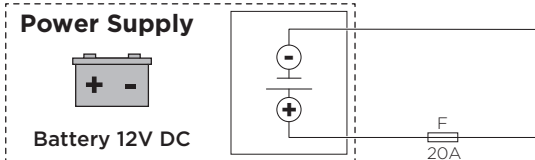
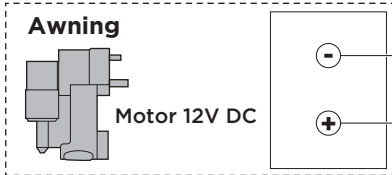
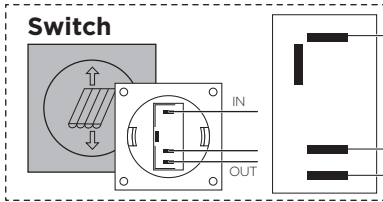
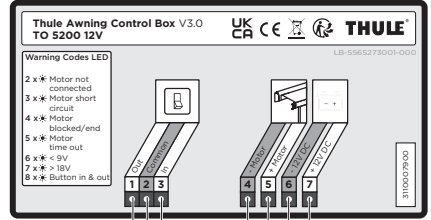
Supply	12V DC
Current	Nominal: 10A / Peak: 20,5A
Nominal Torque	3 Nm
Nominal Speed	58 - 70 rpm
Mechanical Limit Setting	✓
Emergency Manual Operation	✓

THULE CONTROL BOX TECHNICAL SPECIFICATIONS

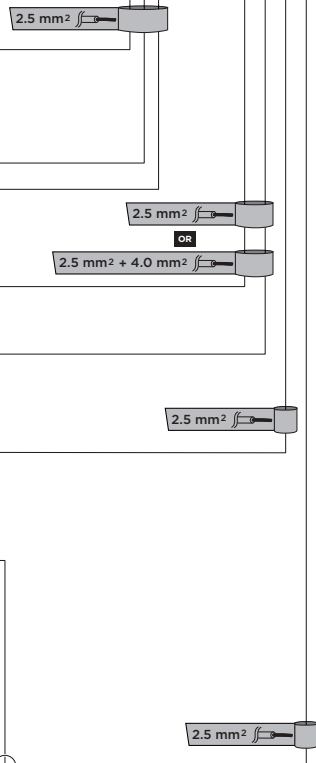
Supply	12V DC
Maximum Voltage	18V DC
Standby Power Consumption	< 0,2 mA
Storage Temperature Range	-40°C to +80°C
Operation Temperature Range	-25°C to +80°C
IP classification	IP 51
Noise	65 dB (C)

**RED/ROT/ROOD/
ROUGE/ROSSO/ROJO/
RÖD/PUNAINEN/RØD/
RØD/CZERWONY/
VERMELHO/ČERVENÁ/
RDEČE/KIRMIZI/红/レ
ッド/レッド**

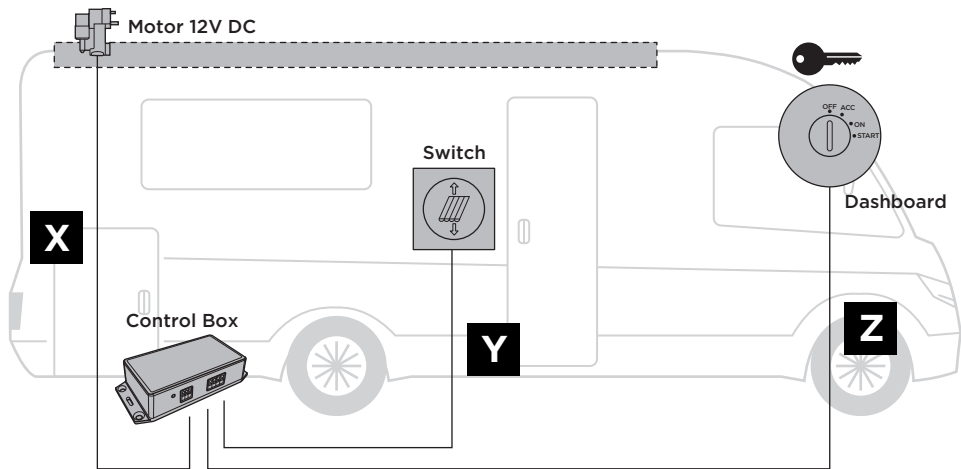
**BLACK/SCHWARZ/
ZWART/NOIR/NERO/
NEGRO/SVART/
MUSTA/SORT/SVART/
CZARNY/PRETO/
ČERNÁ/ČRNA/SİYAH/
黑色/ブラック/블랙**



xx/x
Bosch Type O 986 332 400
 Bosch Type O 332 209 150



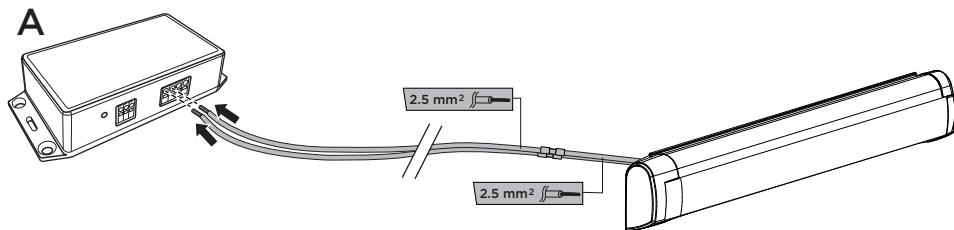
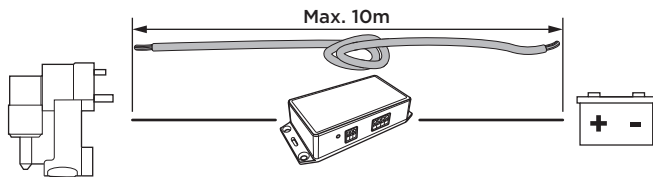
2

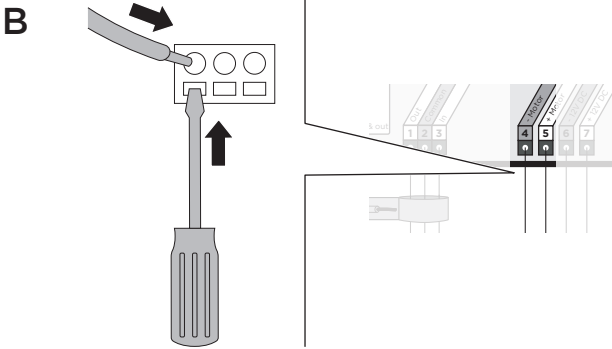


3

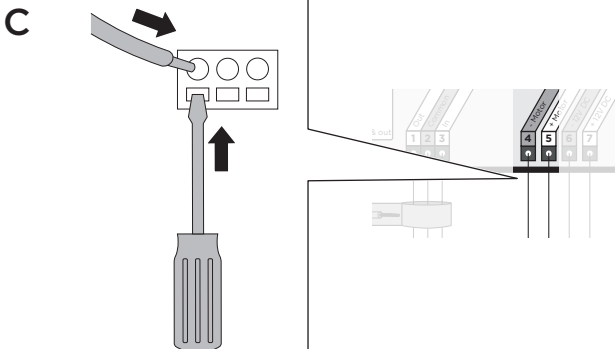
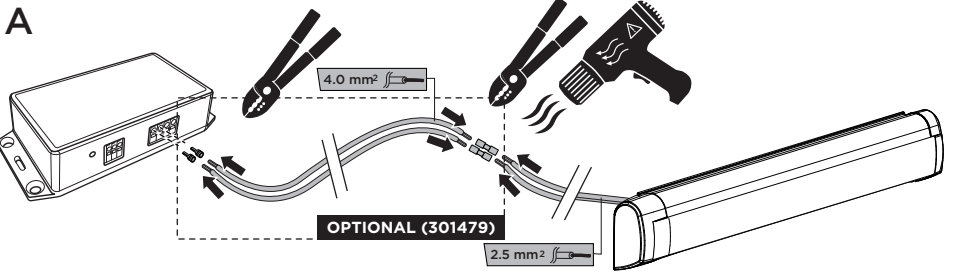
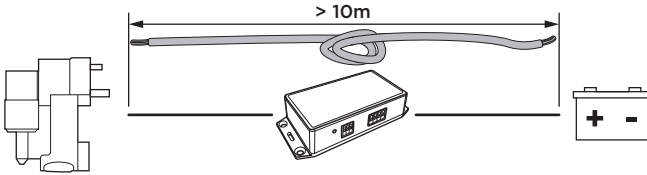
X

Max. 10m





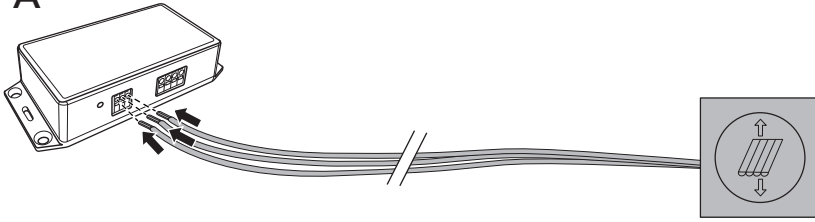
X > 10m



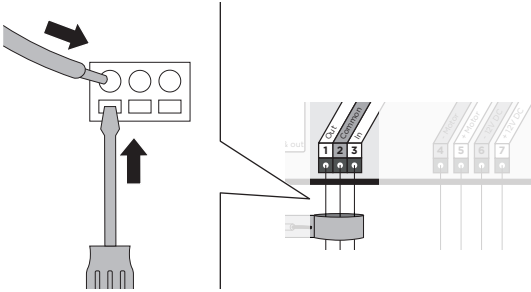
4

Y

A



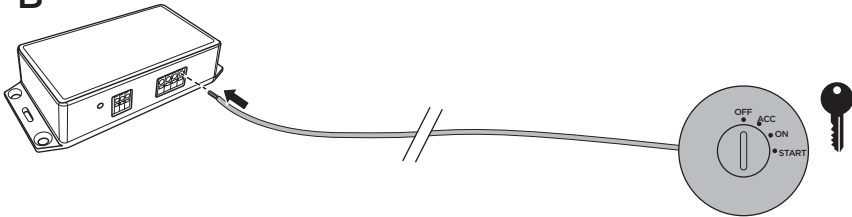
C



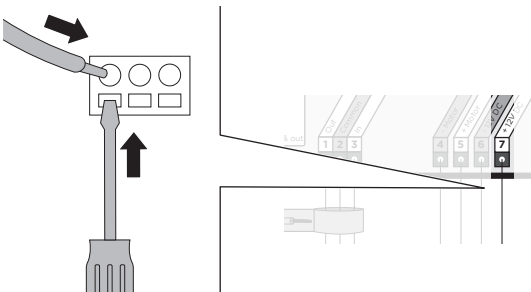
5

Z

B

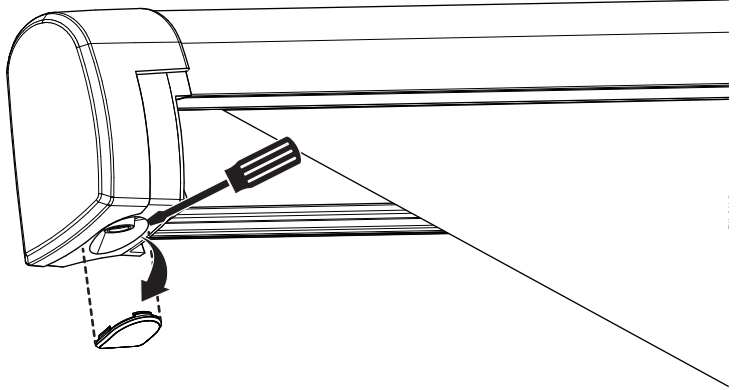


D

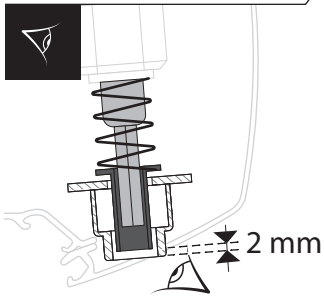
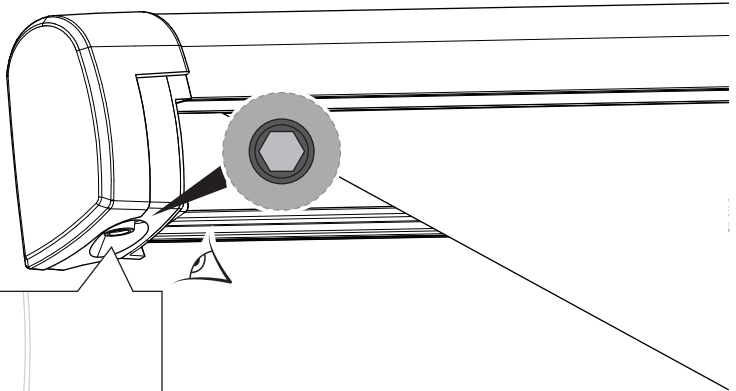


6 MANUAL OVERRIDE

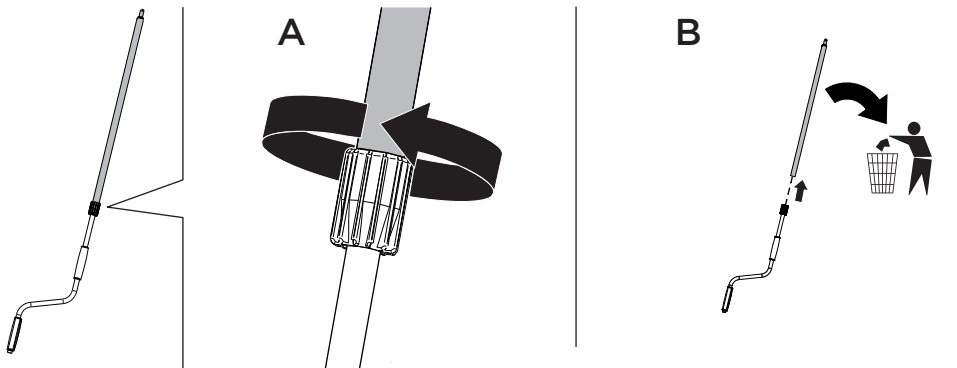
1



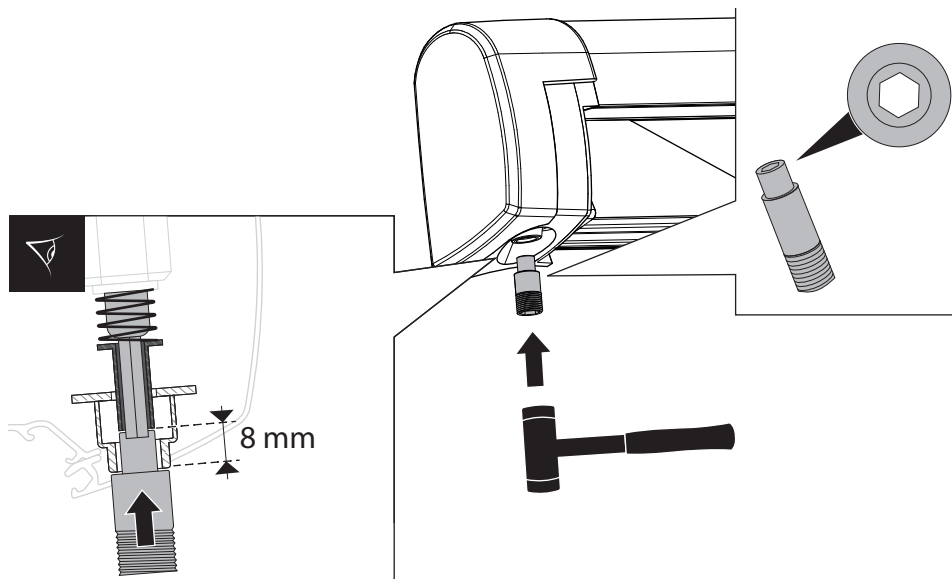
2



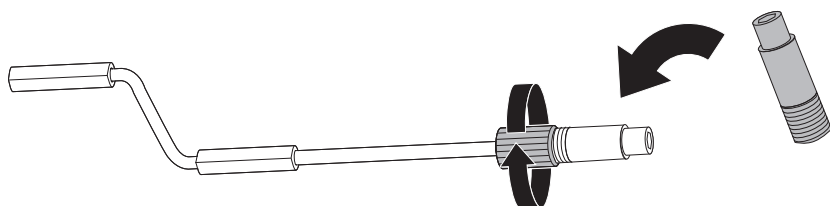
3



4



5



6

