

**THULE**
SWEDEN

Thule XT Kit 3021

> Instructions

DACIA Dokker, 4-dr Van, 12-

FIAT Doblo, 3-dr Van, 00-03, 04-05, 06-09

FIAT Doblo, 4-dr Van, 00-03, 04-05, 06-09

FIAT Doblo, 5-dr Van, 00-03, 04-05, 06-09

FIAT Doblo Maxi, 4-dr Van, 08-09

FORD Tourneo Connect, 5-dr Bus, 03-13

FORD Transit Connect, 4-dr Van, 03-13

MERCEDES Citan, 4-dr Van, 12-

NISSAN Kubistar, 5-dr Van, 97-09

RENAULT Kangoo, 5-dr Van, 97-07, 08-

RENAULT Kangoo Maxi, 5- dr Van, 10-

VOLKSWAGEN Caddy, 4-dr Van, 21-

VOLKSWAGEN Caddy Maxi, 5-dr Van, 21-

This kit is only for vehicles with fixpoint mounting.

751 FootPack
6 kg / 13 lbs
= Max. 75 kg / 165 lbs

753 FootPack
9 kg / 20 lbs
= Max. 100 kg / 220 lbs

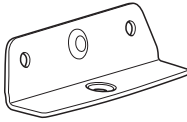
Speed Limit Diagram:
80 km/h / 50 Mph
130 km/h / 80 Mph
40 km/h / 25 Mph
km/h / Mph

ISO 11154-E

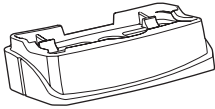
183021

C.2021-01-26
5561076001

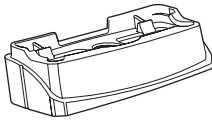
Bring your life
thule.com



◀ **01** x4



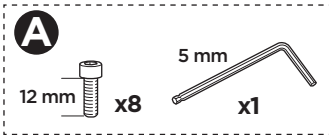
◀ **26** x2



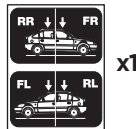
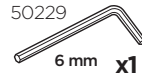
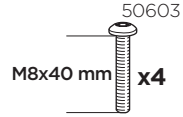
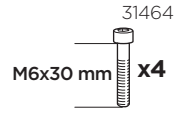
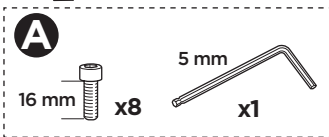
◀ **27** x2



751
FootPack



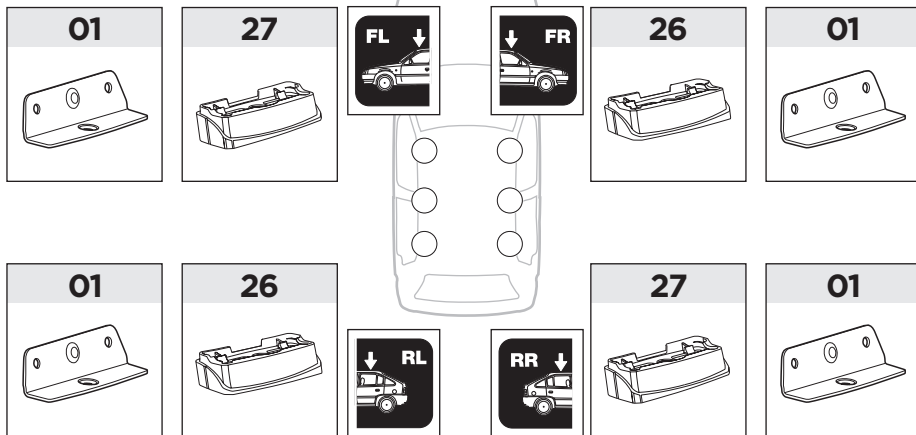
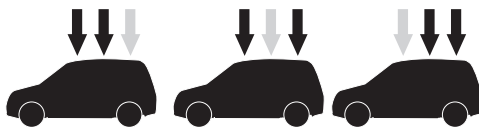
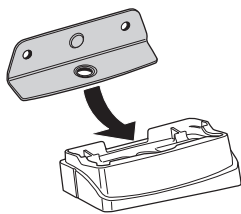
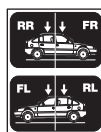
753
FootPack



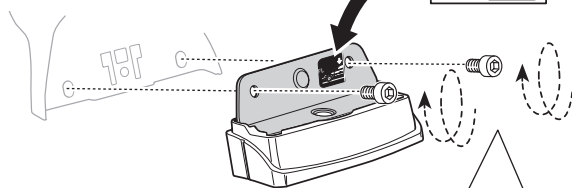
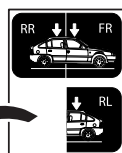
x1



x1

1**753**
FootPack**A****B**

x1



EN Only a few turns
DE Nur wenige Umdrehungen
FR Quelques tours uniquement
NL Slechts enkele slagen
IT Solo qualche giro
ES Sólo algunas vueltas
PT Noções básicas
SV Endast några varv
DK Kun nogle få omgange
NE Bare noen få omdreinger
FI Vain muutama kierros

ET Ainult mõni pööre
LV Tikai dažī apgriezieni
LT Tik keli pasukimai
PL Wystarczy kilka obrotów
RU Только несколько оборотов
UK Лише декілька обертів
BG Само няколко завъртания
CS Pouze několik otáček
SK Len niekoľko otáčok
SL Le nekaj obratov
HR/BIH Samo nekoliko okreta

RO Doar câteva rotiri
HU Csak néhány fordítás
EL Μόνο λίγες περιστροφές
TR Yalnızca birkaç tur

بعض دورات فقط **AR**
 רק מספר סיבובים **HE**

ZH 仅几圈
JA 2～3回転のみ
KO 몇 번만 돌리면 됨
TH เพียงสองสามรอบ

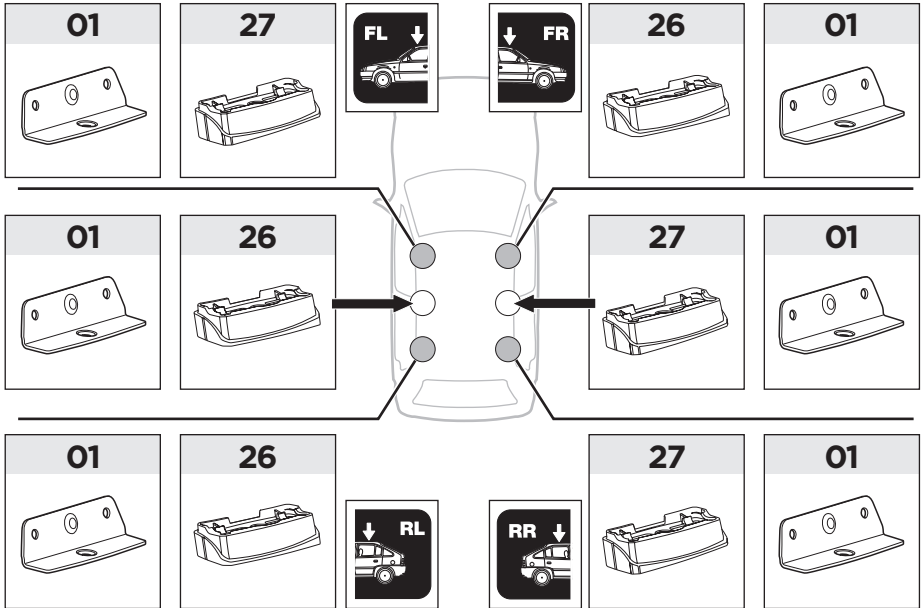
1



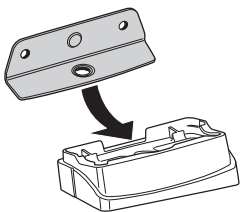
751 753 753



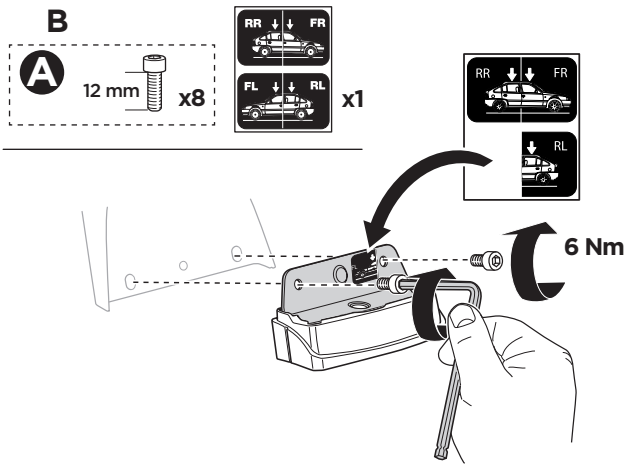
RENAULT Kangoo Maxi



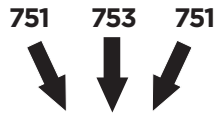
A



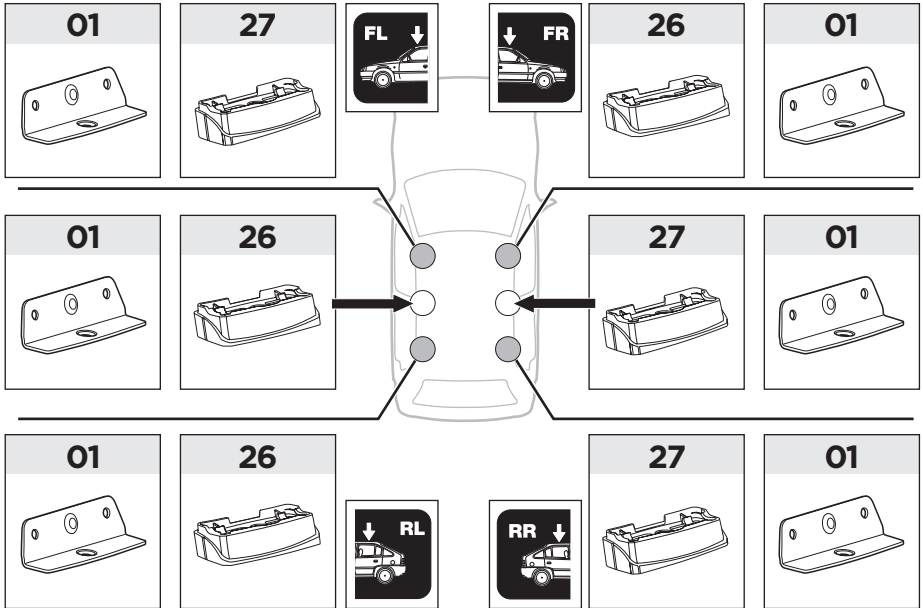
B



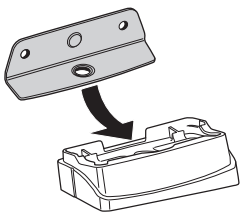
1



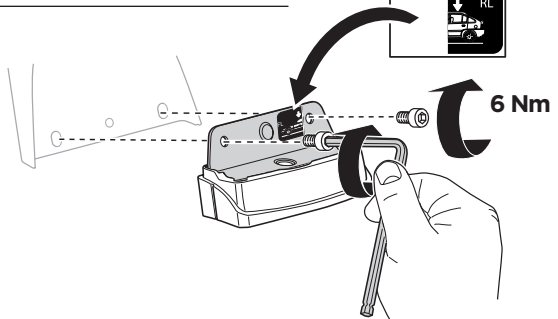
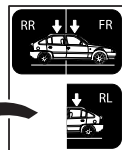
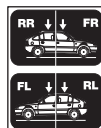
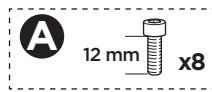
DACIA Dokker



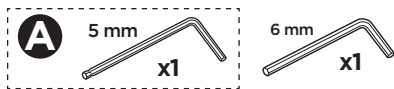
A



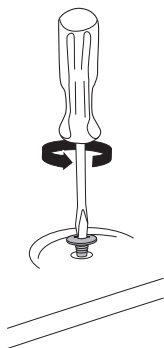
B



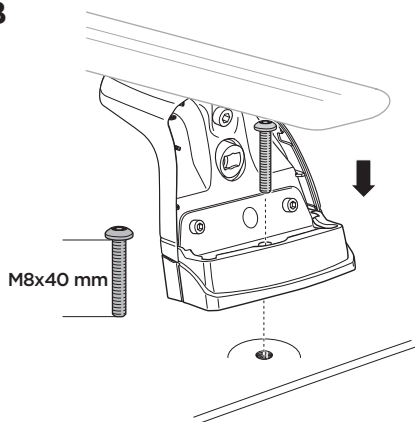
2 751 FootPack



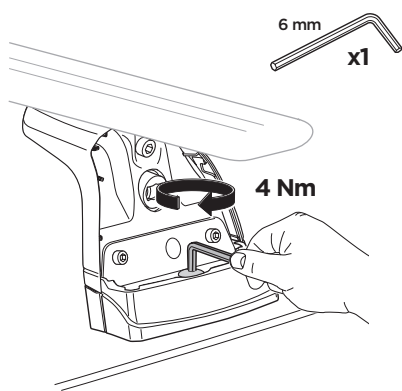
A DACIA Dokker RENAULT Kangoo Maxi



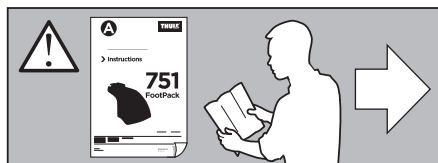
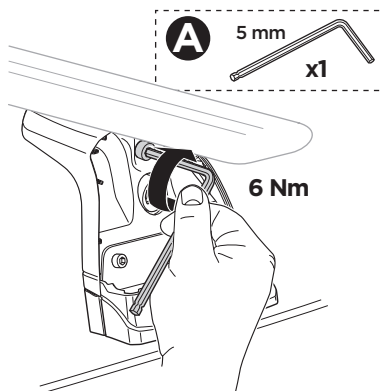
B



C

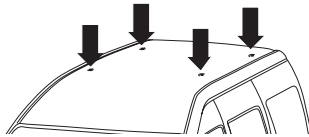


D

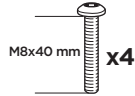
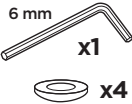
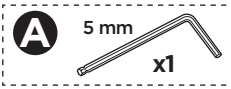
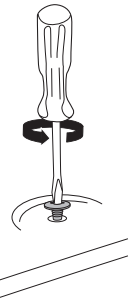


2

753
FootPack



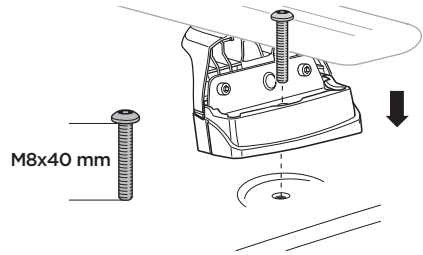
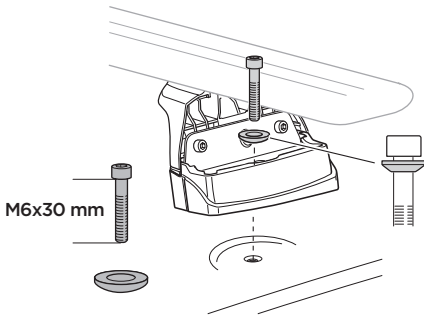
A



B FIAT Doblo,
FIAT Doblo Maxi

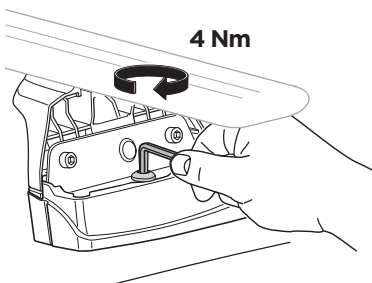
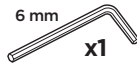
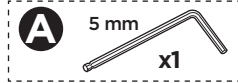
DACIA Dokker
FORD Tourneo Connect
FORD Transit Connect
MERCEDES Citan
NISSAN Kubistar

RENAULT Kangoo
RENAULT Kangoo Maxi
VOLKSWAGEN Caddy
VOLKSWAGEN Caddy Maxi

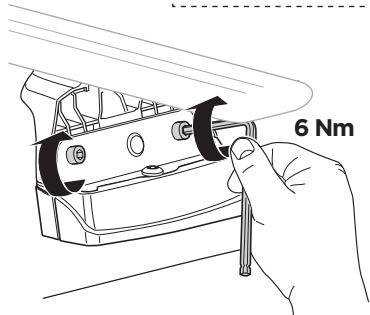
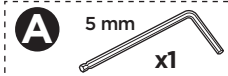


C FIAT

DACIA
FORD
MERCEDES
NISSAN
RENAULT
VOLKSWAGEN



D



WW ▶
NA ▶



Thule Sweden AB, Box 69, 330 33 Hillerstorp, SWEDEN
Thule Inc., 42 Silvermine Road, Seymour, Connecticut 06483, USA



info@thule.com
Phone: 800-238-2388



www.thule.com