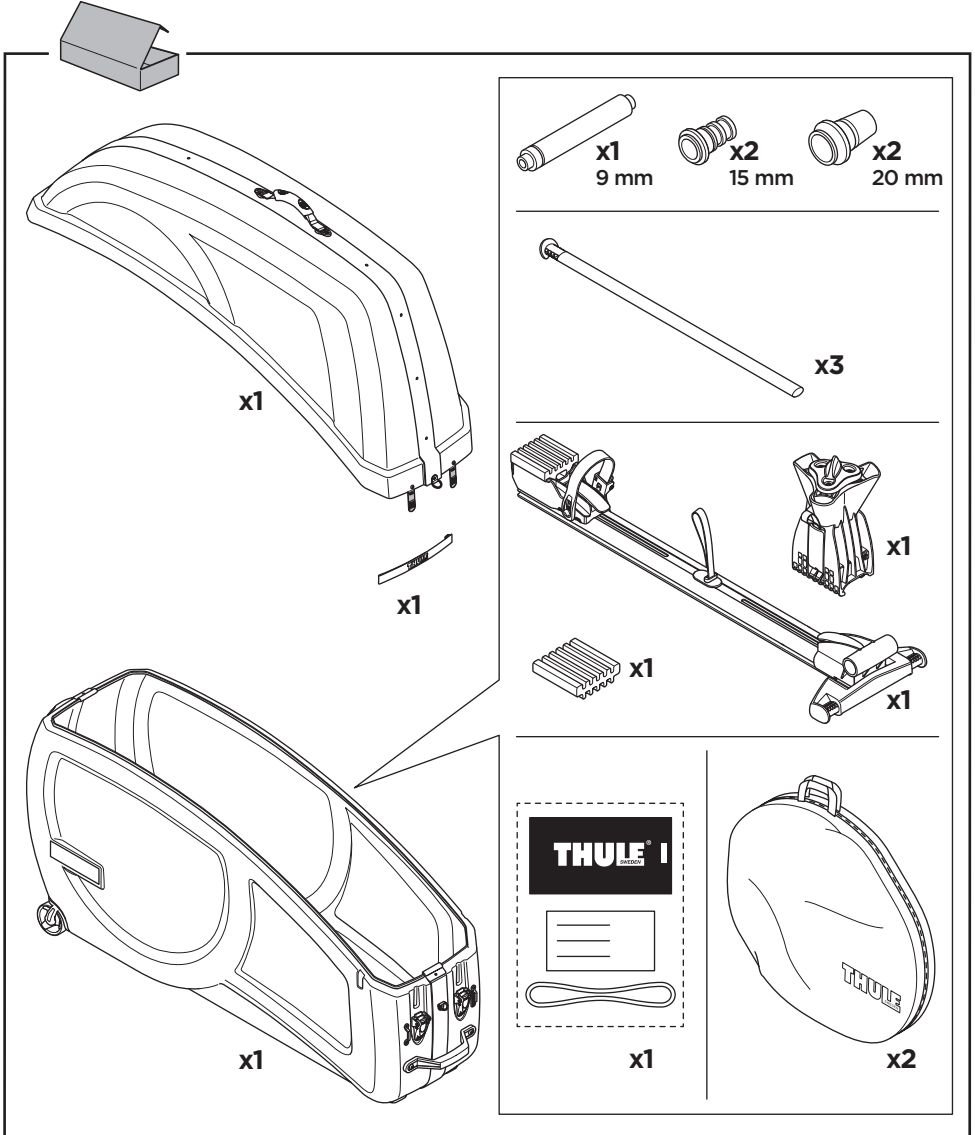
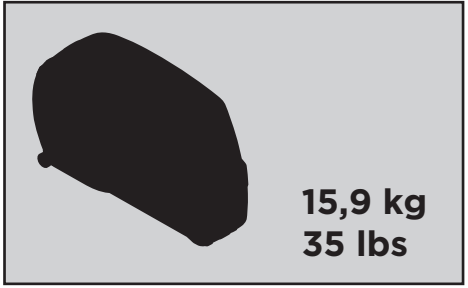
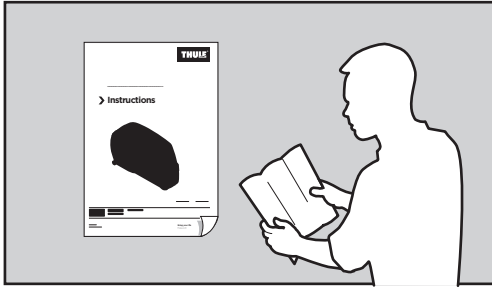


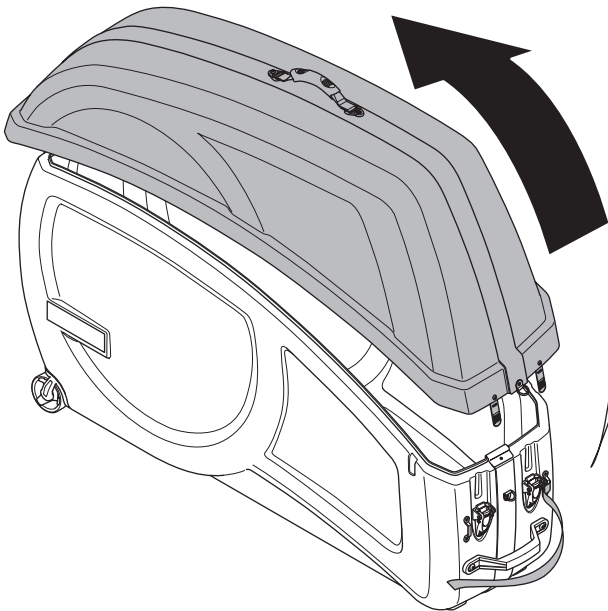
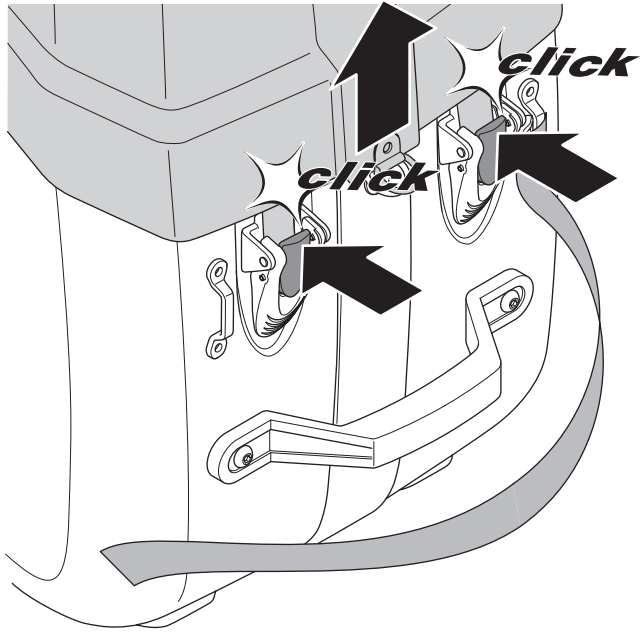
# Thule RoundTrip Transition

# ➤ Instructions

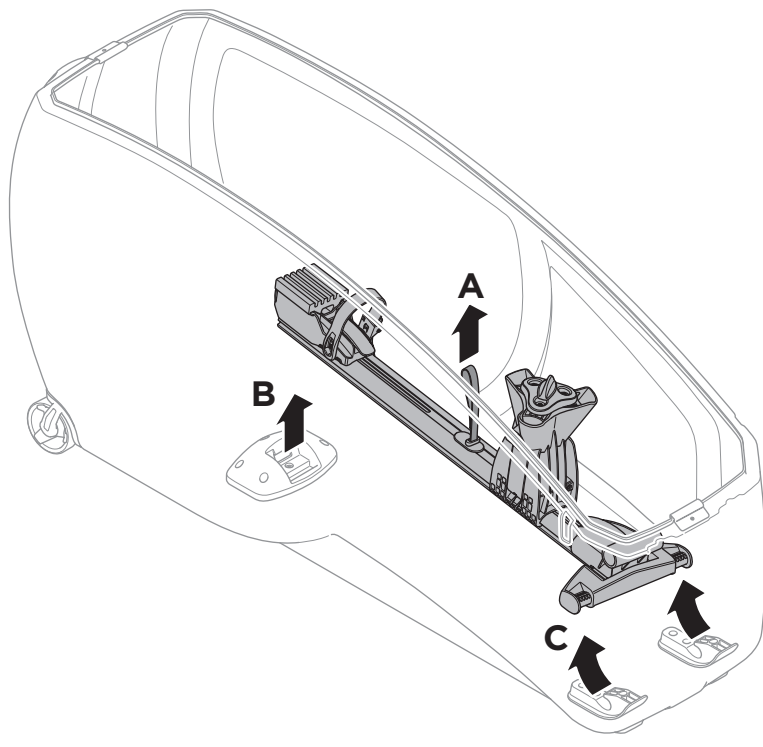




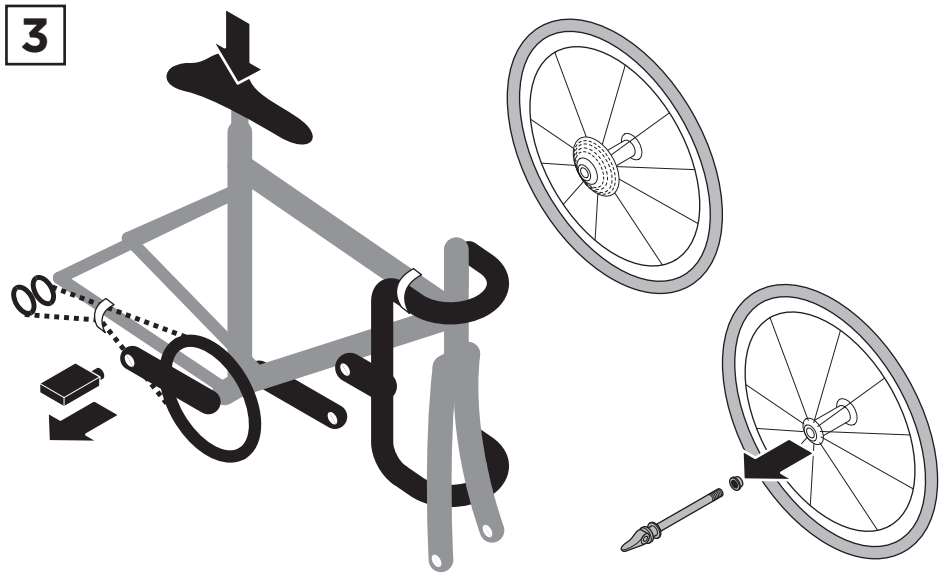
1



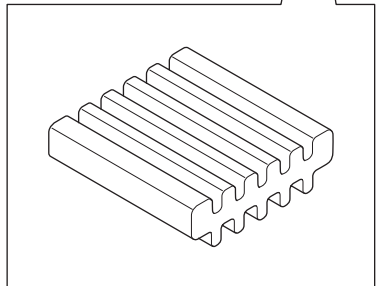
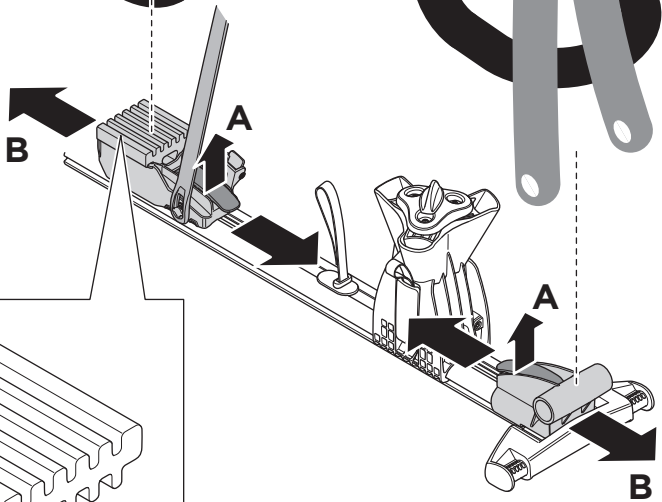
2



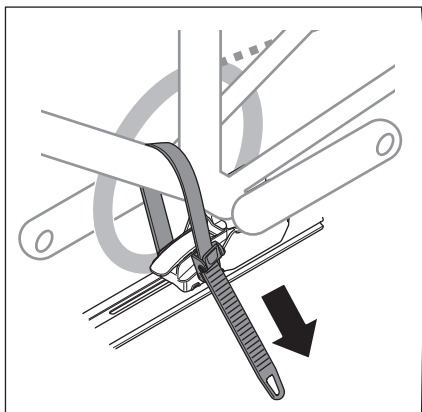
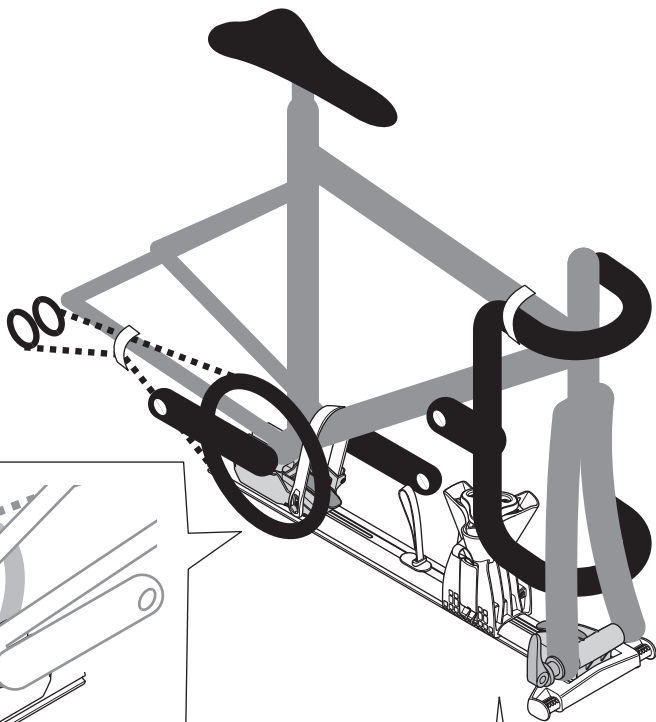
3



4



5



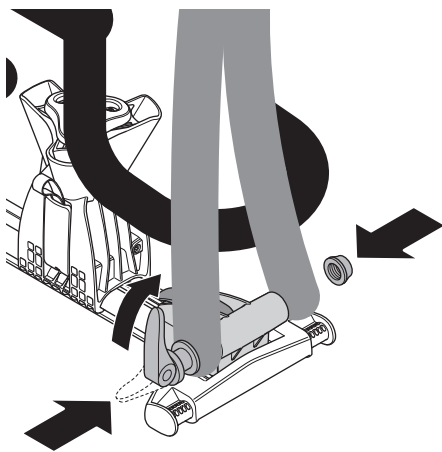
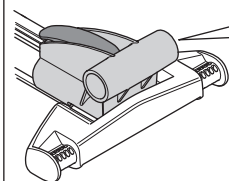
- Ø9 mm
- Ø15 mm
- Ø20 mm



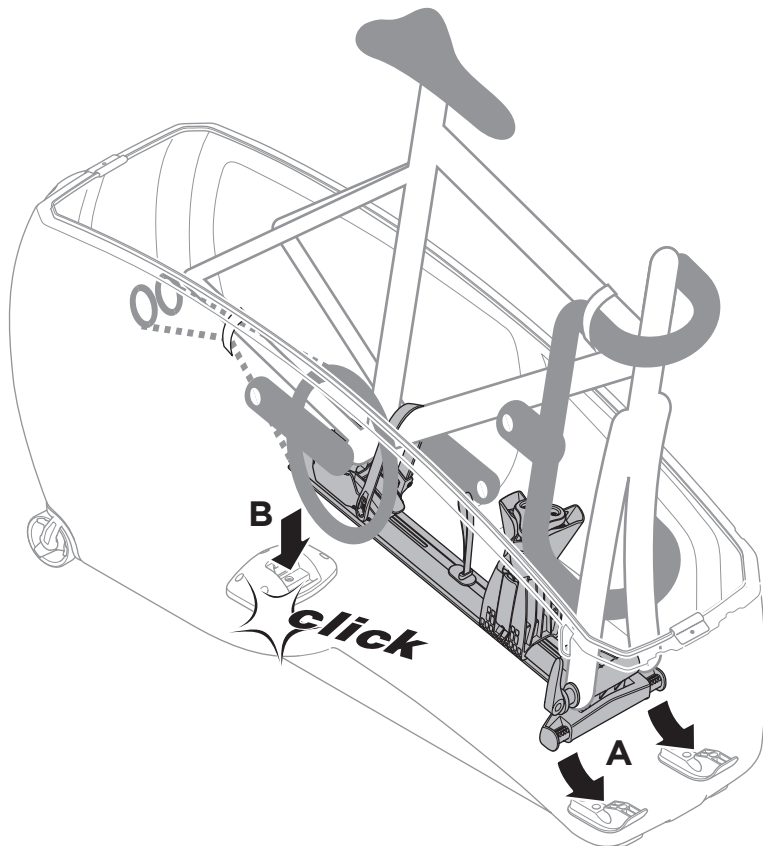
- x1 9 mm

- x2 15 mm

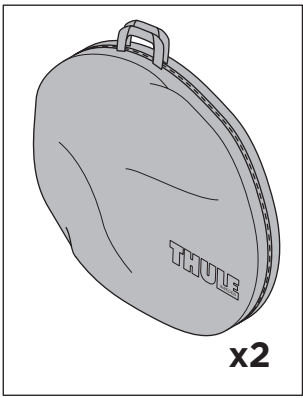
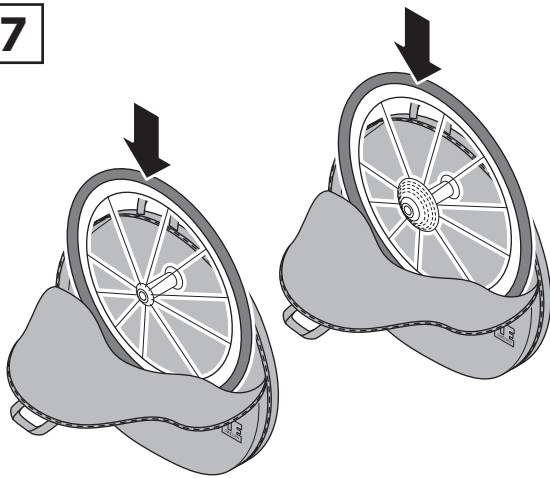
- x2 20 mm



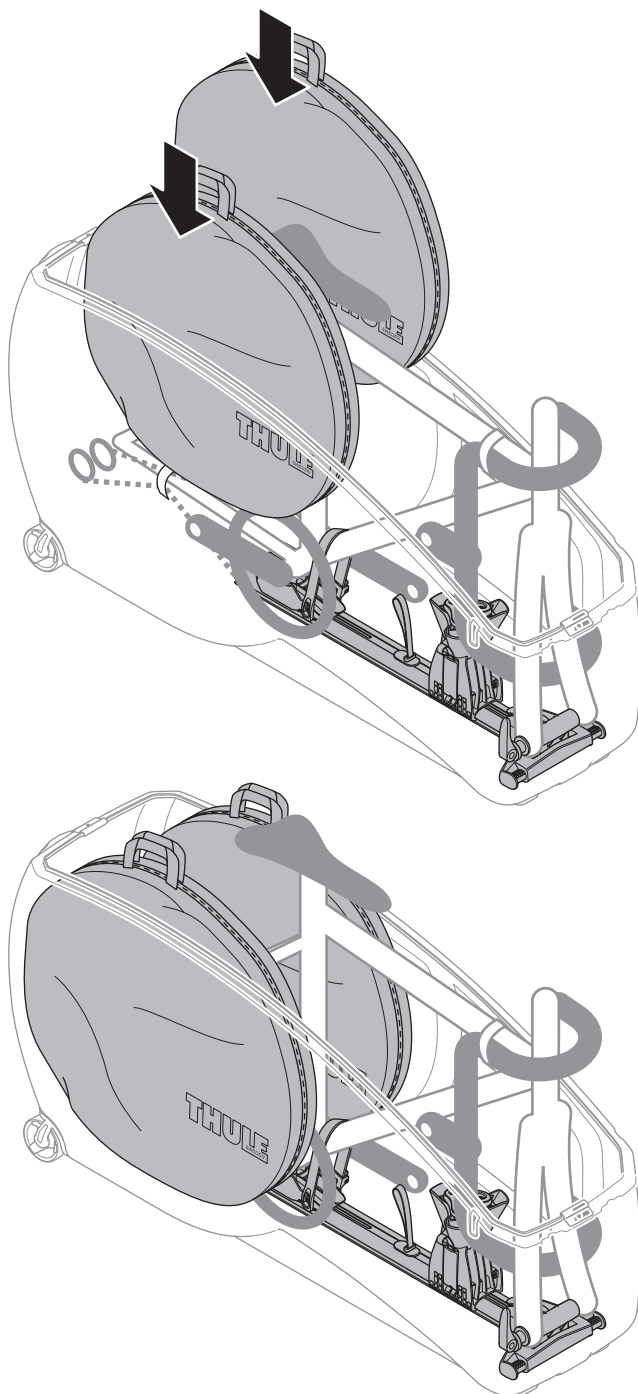
6



7



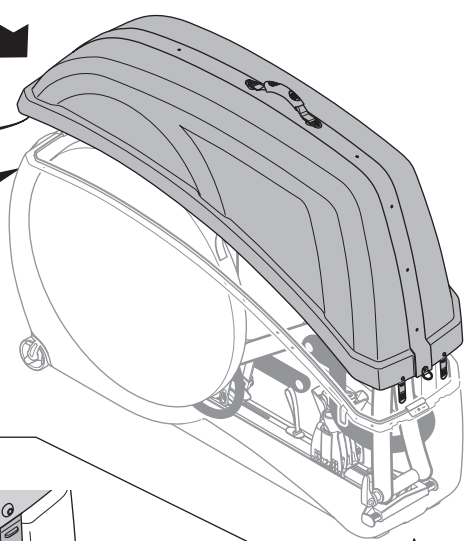
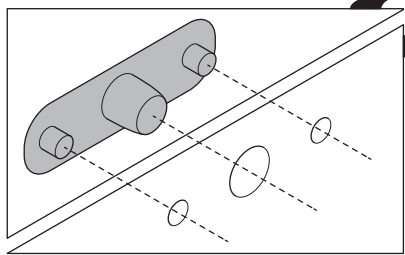
8



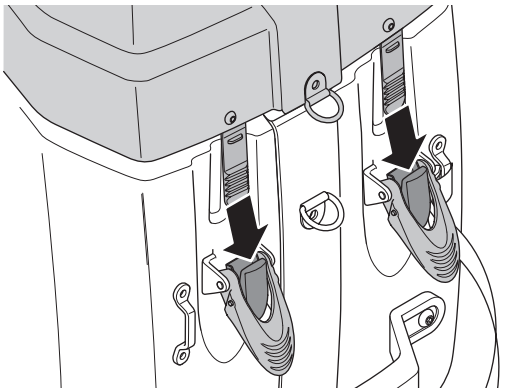


9

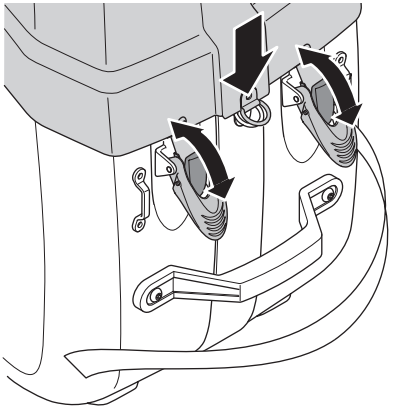
A



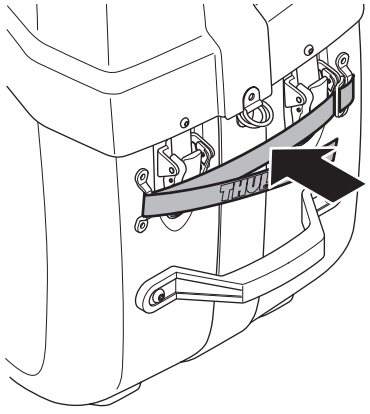
B



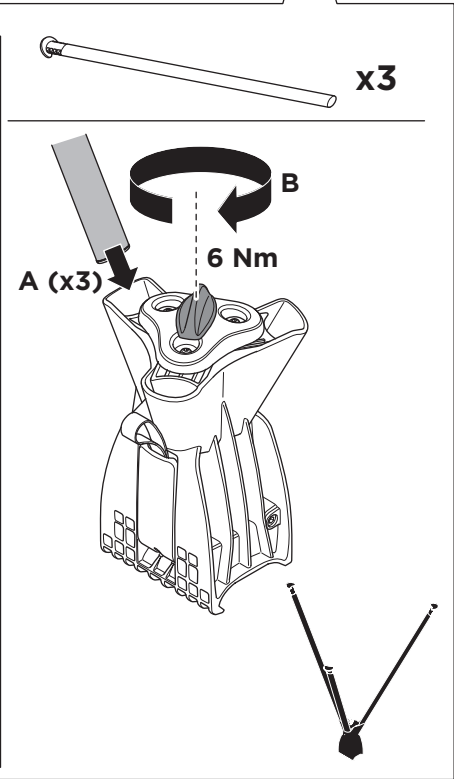
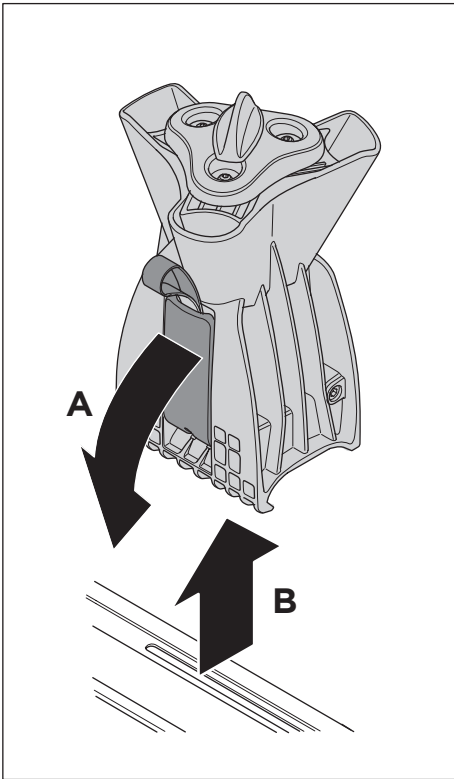
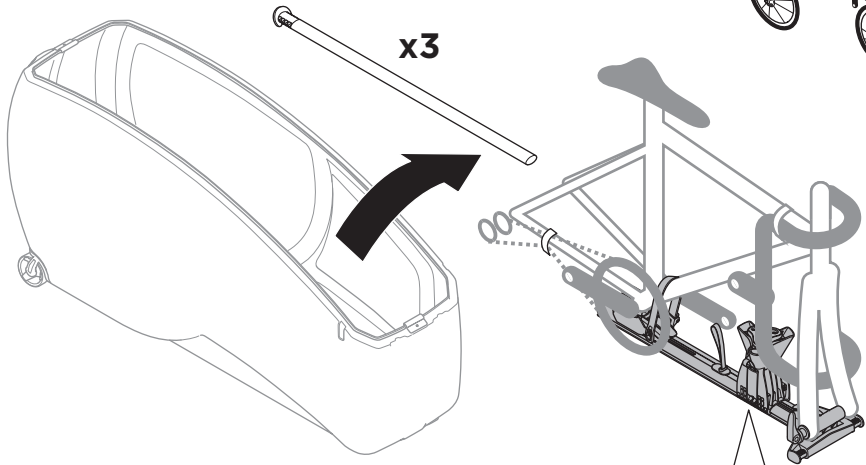
C



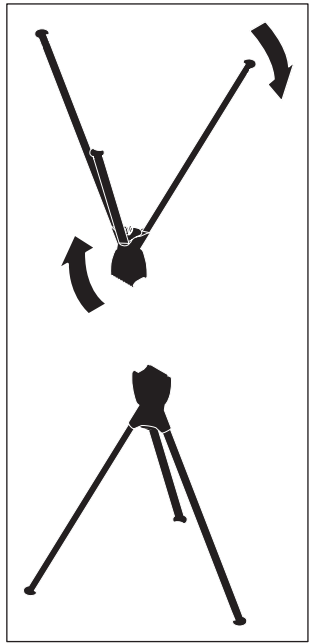
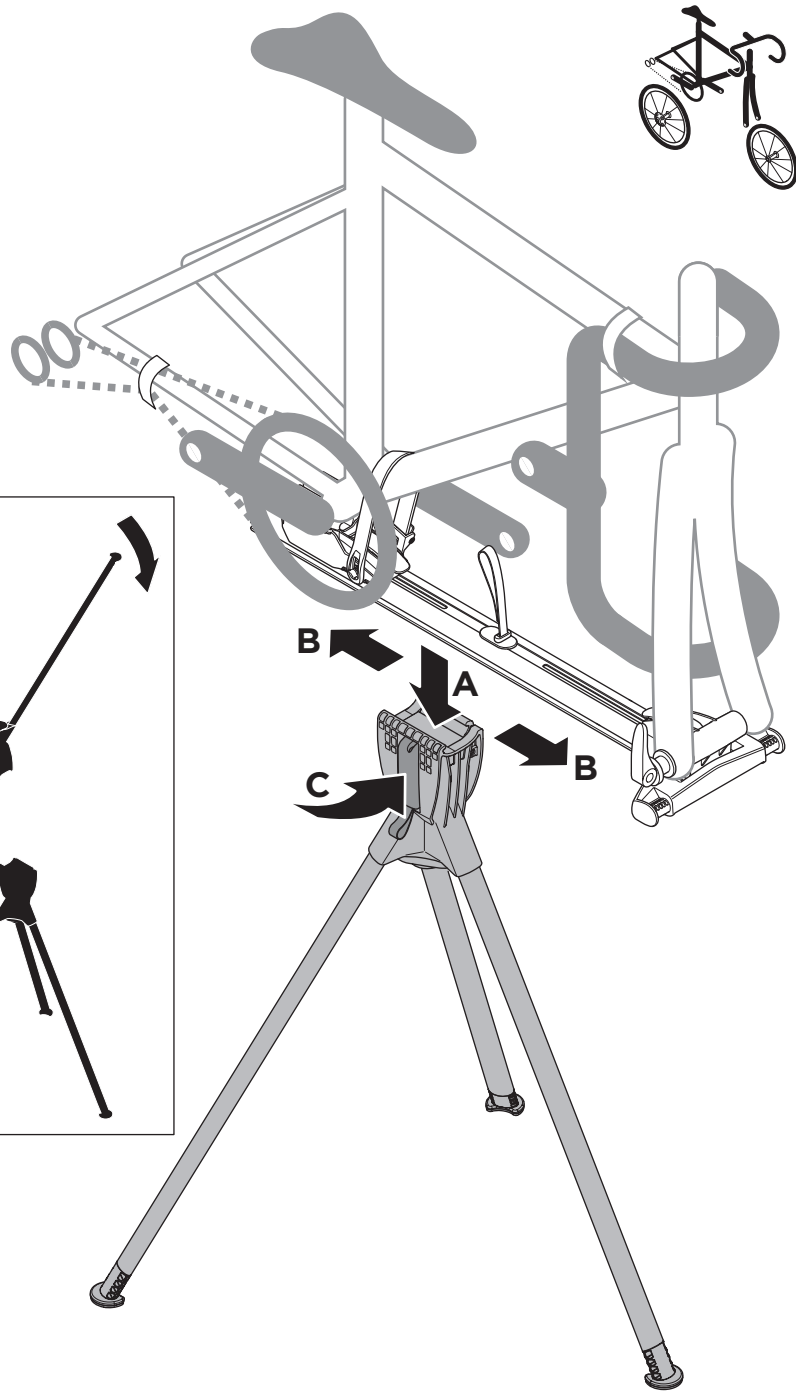
D



**i**



i



i

