

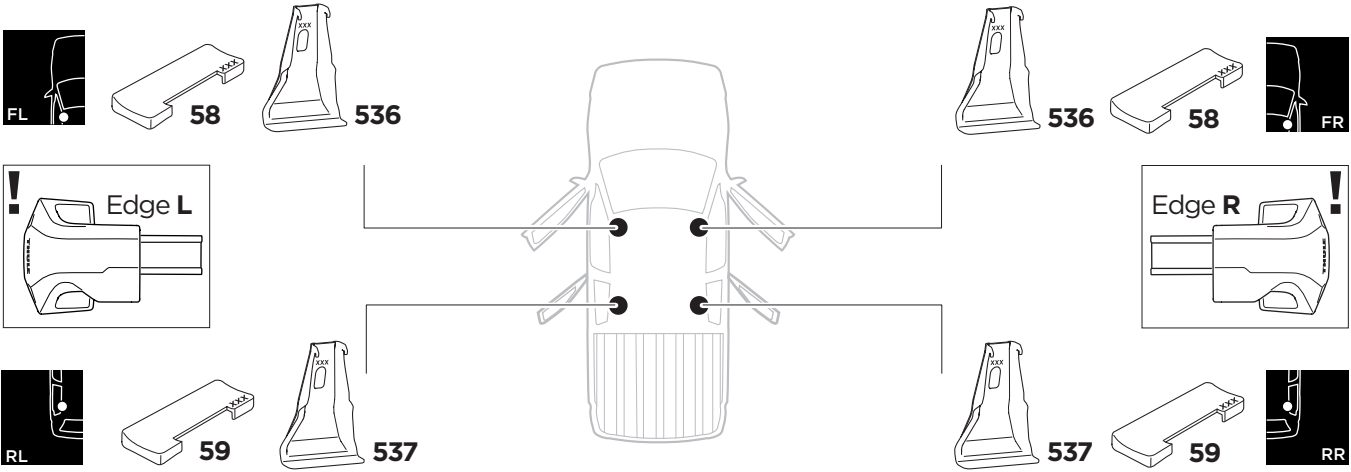
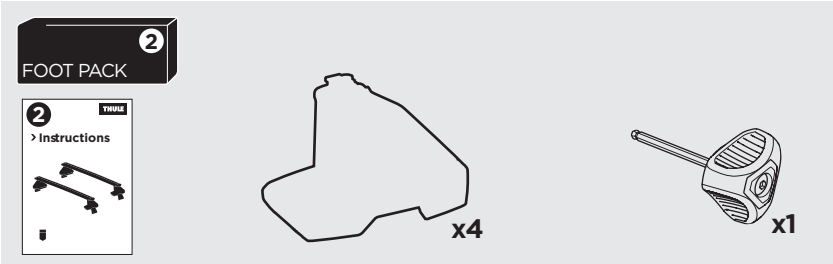
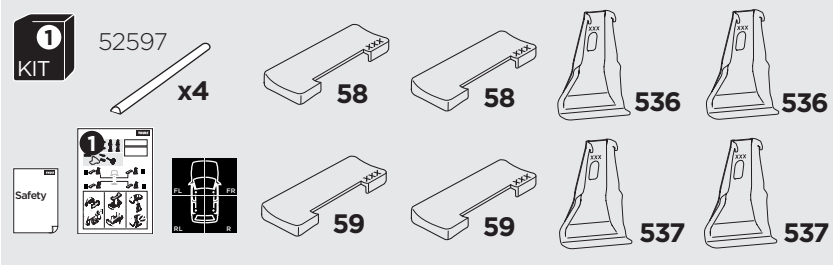
1

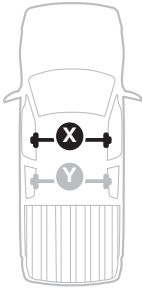
Kit 145317

ISUZU D-Max Crew Cab, 4-dr Pickup, 20-
MAZDA BT-50 Crew Cab, 4-dr Pickup, 20-



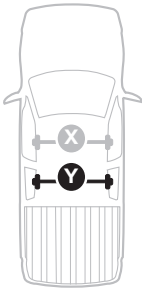
ISO 11154-E





THULE WingBar Evo	THULE WingBar Edge	THULE WingBar	THULE SquareBar Evo	Evo X (scale)	Edge X (scale)
ISUZU D-Max Crew Cab, 4-dr Pickup, 20-				43,5	J
MAZDA BT-50 Crew Cab, 4-dr Pickup, 20-				43,5	J

THULE ProBar Evo	THULE SlideBar Evo	X (mm/inch)
ISUZU D-Max Crew Cab, 4-dr Pickup, 20-		1086 mm / 42 3/4"
MAZDA BT-50 Crew Cab, 4-dr Pickup, 20-		1086 mm / 42 3/4"



THULE WingBar Evo	THULE WingBar Edge	THULE WingBar	THULE SquareBar Evo	Evo Y (scale)	Edge Y (scale)
ISUZU D-Max Crew Cab, 4-dr Pickup, 20-				43,5	J
MAZDA BT-50 Crew Cab, 4-dr Pickup, 20-				43,5	J

THULE ProBar Evo	THULE SlideBar Evo	Y (mm/inch)
ISUZU D-Max Crew Cab, 4-dr Pickup, 20-		1086 mm / 42 3/4"
MAZDA BT-50 Crew Cab, 4-dr Pickup, 20-		1086 mm / 42 3/4"

	W (mm/inch)	Z (mm/inch)
ISUZU D-Max Crew Cab, 4-dr Pickup, 20-	800 mm / 31 1/2"	190 mm / 7 1/2"
MAZDA BT-50 Crew Cab, 4-dr Pickup, 20-	800 mm / 31 1/2"	190 mm / 7 1/2"

