

Thule Hitch Extender 903750

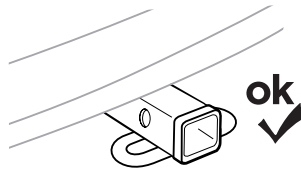


Failure to follow WARNINGS, THULE GUIDELINES or PRODUCT INSTRUCTIONS could result in the following: DAMAGE TO VEHICLE, PROPERTY DAMAGE AND SERIOUS PERSONAL INJURY OR DEATH.

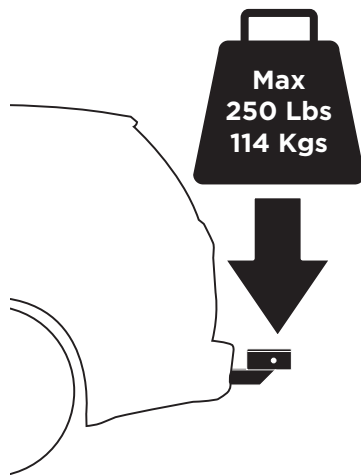
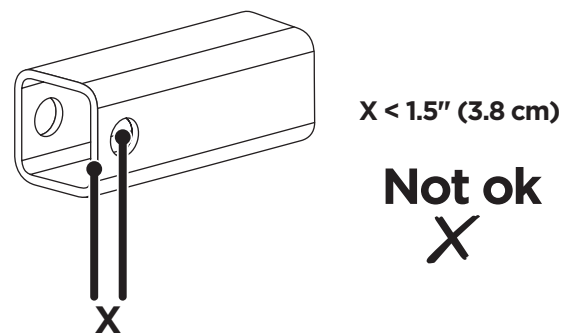
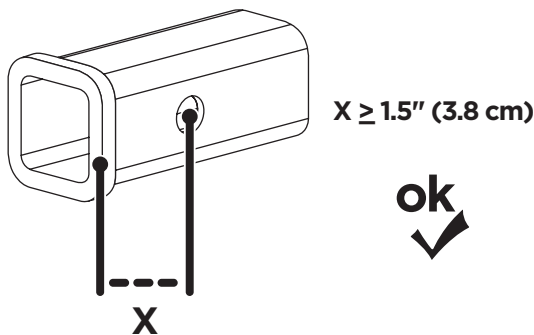
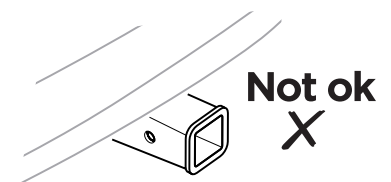
Warnings

- Do not exceed the HITCH manufacturer's MAX TONGUE WEIGHT capacity.
- This accessory is rated for Class 3 or greater 2" receiver hitches only.

Class 3 to 5 2" Receiver



Class 1 to 2 1.25" & 2" Receiver



- This product is not for towing use.
- Do not use on towed vehicle.
- Do not use this product on RV's or trailers.
- This product is not approved for off-road use.

Caution!

- Confirm the product you intend to use is approved for use on Thule Hitch Extender.
- Periodically check tightness of Thule Hitch Extender in vehicle receiver.
- Make sure your rack and receiver are in good working order before use.
- Must mount to your vehicles receiver directly.
- Do not take through automatic carwash.
- Obey all traffic posted traffic laws when using this product.
- The added distance and weight will amplify deflection. Drive responsibly.

Thule Hitch Extender 903750

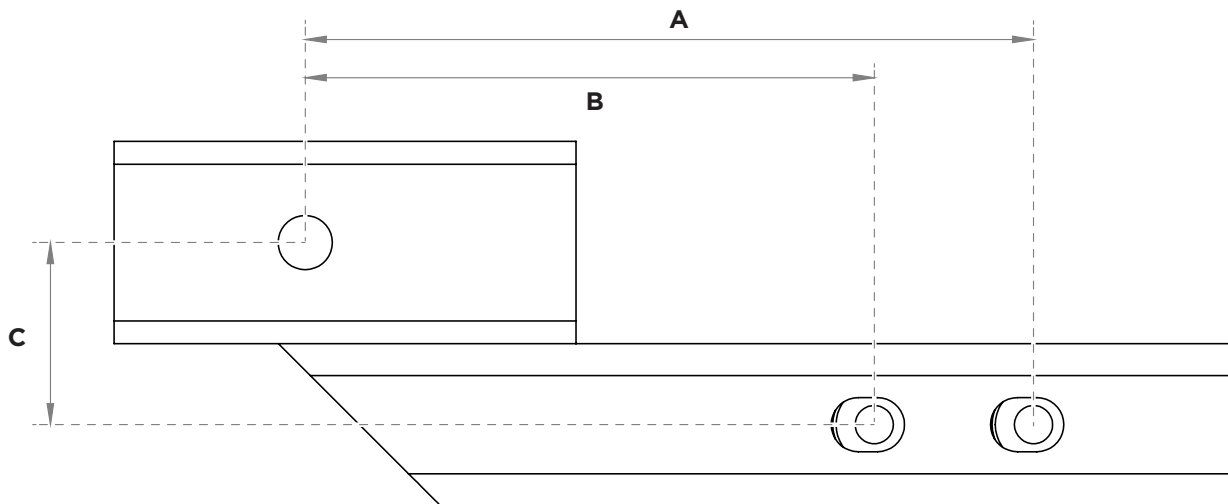


Approved Thule bike rack fits:

Product / Part number	Weight (lbs.)	Rack compatibility	Number of bike positions	Capacity (lbs.)		Lbs.	
				Each bike position	Max load	Rack weight	Total Rack and Bikes
Thule Hitch Extender							
903750	8	Thule T2 Pro XT/XTR - 2 Bike	2	60	120	52	172
		Thule T2 Pro X - 2 Bike	2	37.5	75	50	125
		Thule EasyFold /XT - 2 Bike	2	45	90	45	135
		Thule Range - 4 Bike	4	37.5	150	42	192

Dimensions

Side View



MODEL	A	B	C
903750	9"	7"	2.25"