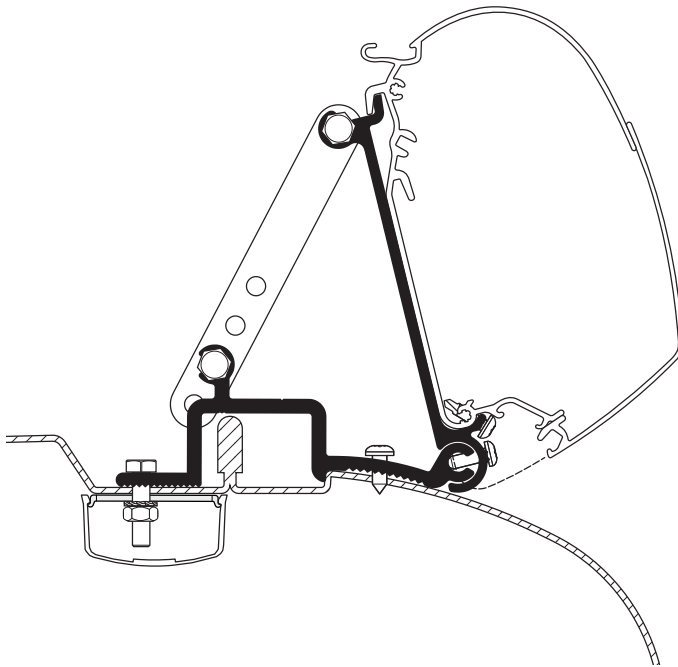


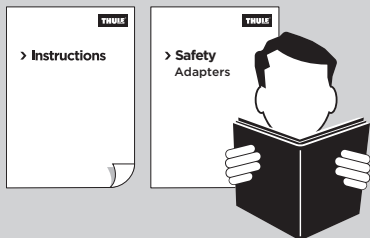
INSTALLATION

➤ Instructions

Thule Adapter Wall - DUJUBO < 2006

302928





DE Adapter -
Anleitung
NL Adapter -
Instructies
FR Adaptateur -
Instructions
IT Adattatore -
Istruzioni
ES Adaptador -
Instrucciones
SV Adapter -
Instruktioner
FI Adapteri -
Ohjeet
DA Adapter -
Instruktioner
NO Adapter -
Instruksjoner

PL Adapter -
Instrukcje
PT Adaptador -
Instruções
CS Adaptér -
Návod
SL Adapter -
Navodila
TR Adaptör -
Taliimatlar
ZH 适配器 -
说明
JA アダプター -
取扱説明書
KO 어댑터 -
지침

1 WARNINGS & INFO

4

Warnungen & Infos / Waarschuwingen & info / Avertissements & informations / Avvertenze & informazioni / Advertencias & información / Varningar & information / Varoituksia & tietoja / Advarsler & info / Advarsler & information / Ostrzeżenia & informacje / Avisos e informações / Varování a informace / Opozorila in informacije / Uyarılar ve Bilgiler / 警告和信息 / 警告と情報 / 경고 및 정보

2 CONTENT

6

Inhalt / Inhoudsopgave / Sommaire / Contenuto / Contenido / Innehåll / Sisällys / Indhold / Innhold / Treść / Índice / Obsah / Kazalo / İçerik / 目录 / 目次 / 목차

3 TOOLS

6

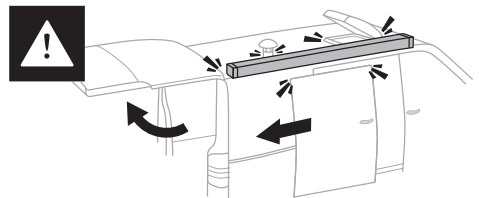
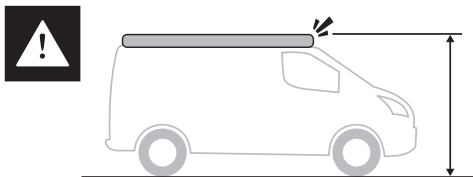
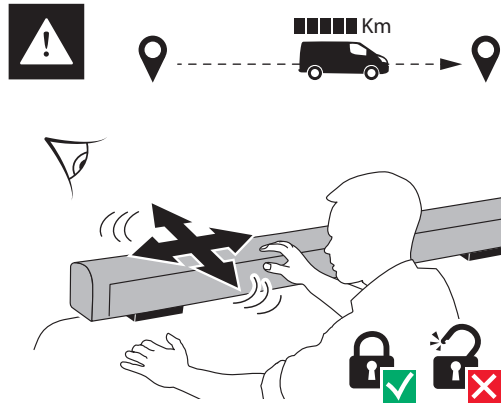
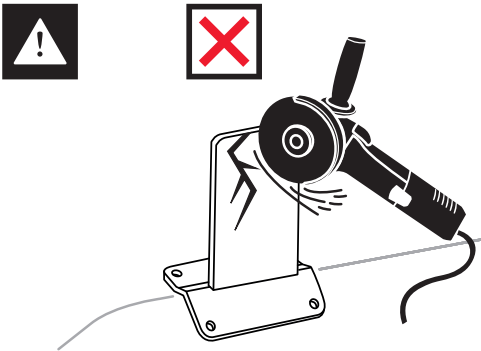
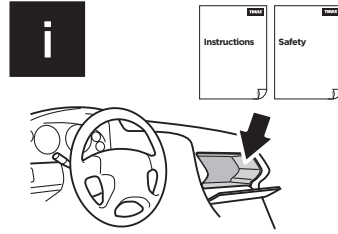
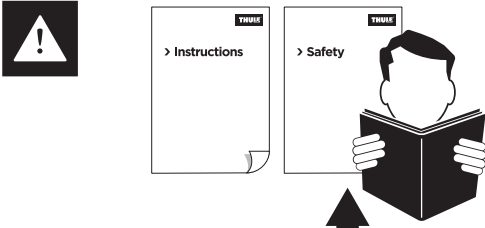
Werkzeuge / Gereedschappen / Outils / Strumenti / Herramientas / Verktøy / Työkalut / Værktøj / Verktøy / Narzędzia / Ferramentas / Nářadí / Orodja / Aletler / 工具 / ツール / 도구

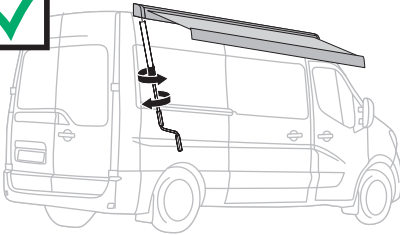
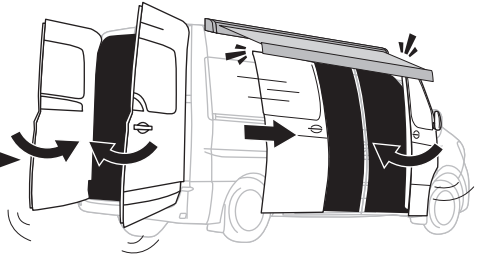
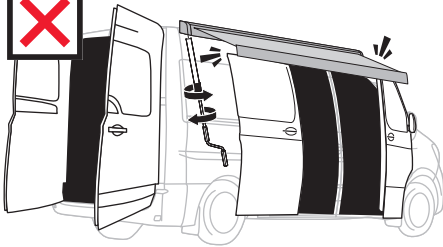
4 INSTALLATION

7

Montage / Installatie / Installation / Installazione / Instalación / Montering / Asennus / Montering / Montering / Montaj / Instalação / Montáž / Nameštitev / Montaj / 安装 / 取り付け / 설치

1 WARNINGS & INFO





ACTIVATOR SIKA 205



ANTI-CORROSION



GLUE SIKA 252



DEGREASER

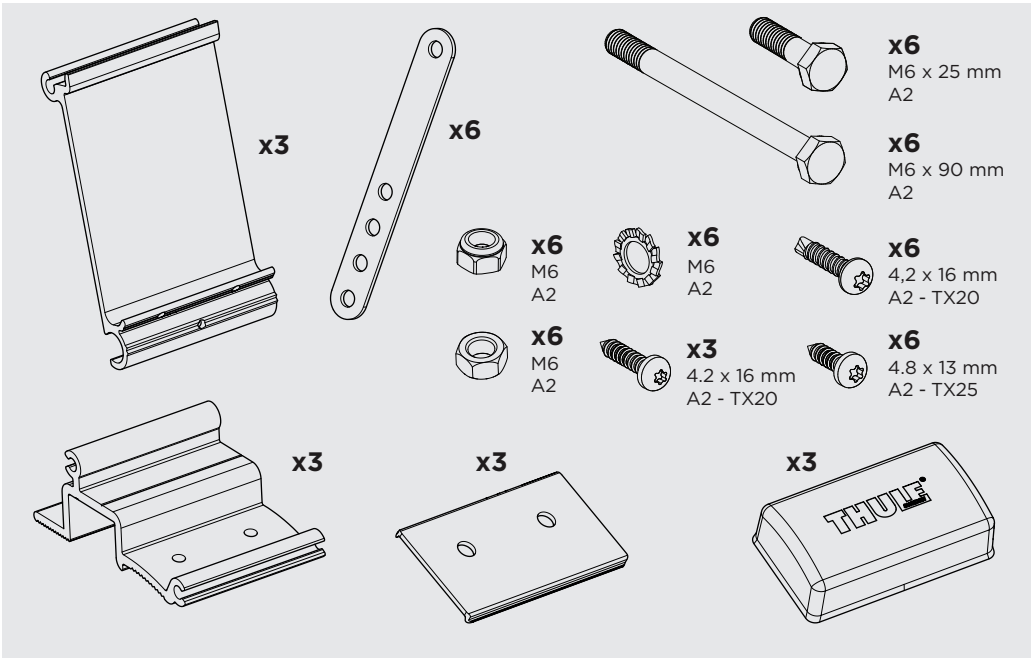


SAND PAPER P60

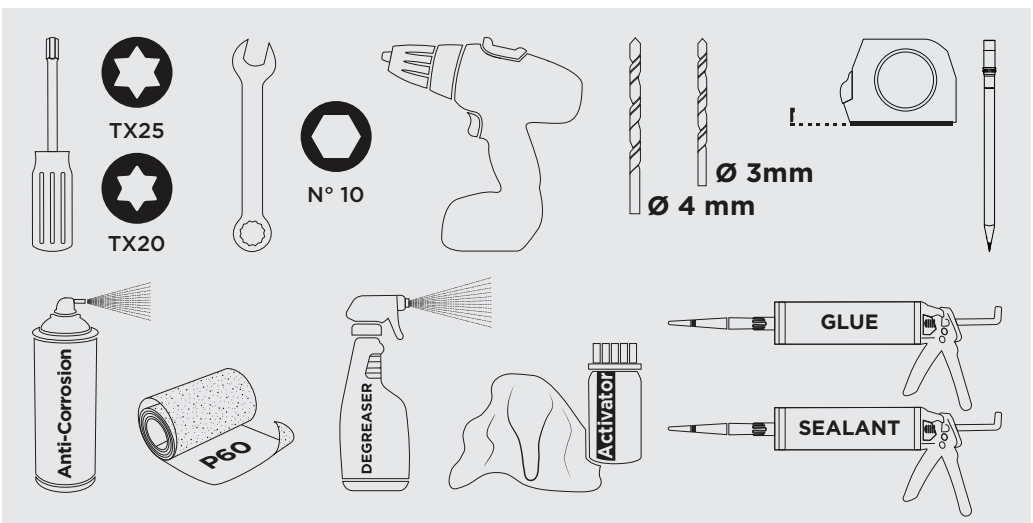


SEALANT SIKA 221

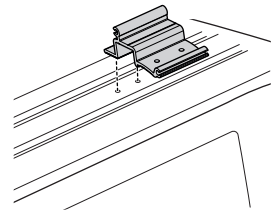
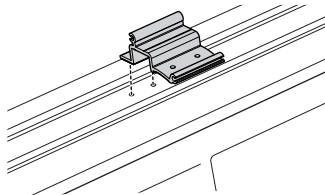
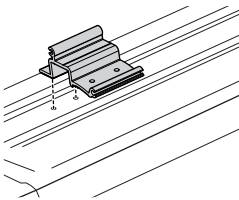
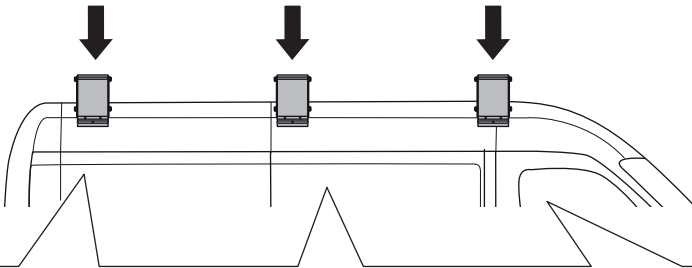
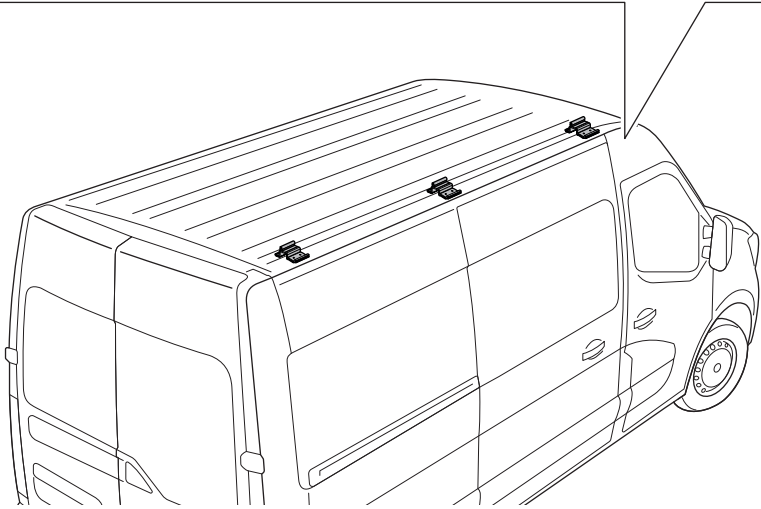
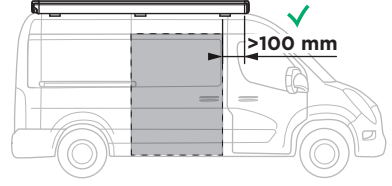
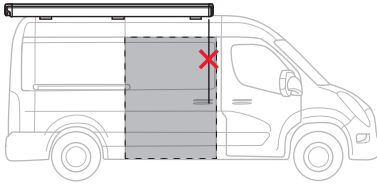
2 CONTENT



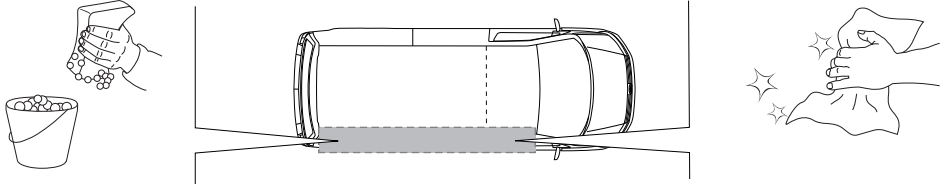
3 TOOLS



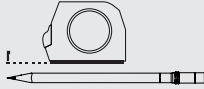
4 INSTALLATION



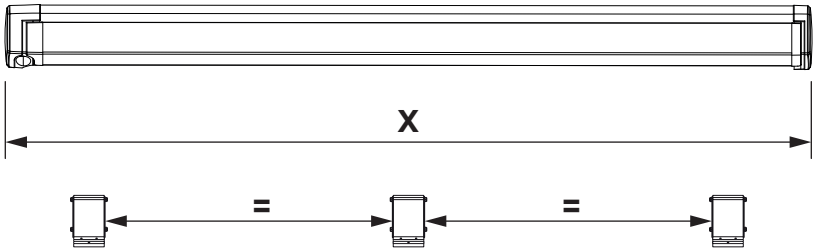
1



2

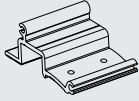


i



BRAND + MODEL	LENGTH AWNING (X)
DUJUBO <2006 L2	3.15 m
DUJUBO <2006 L3	3.75 m
DUJUBO <2006 L3	4,00 m

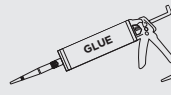
3



x3



P80

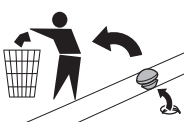


GLUE

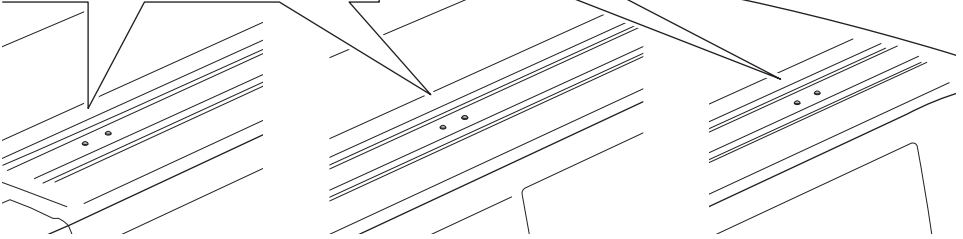
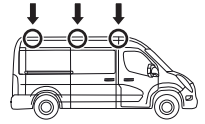


SEALANT

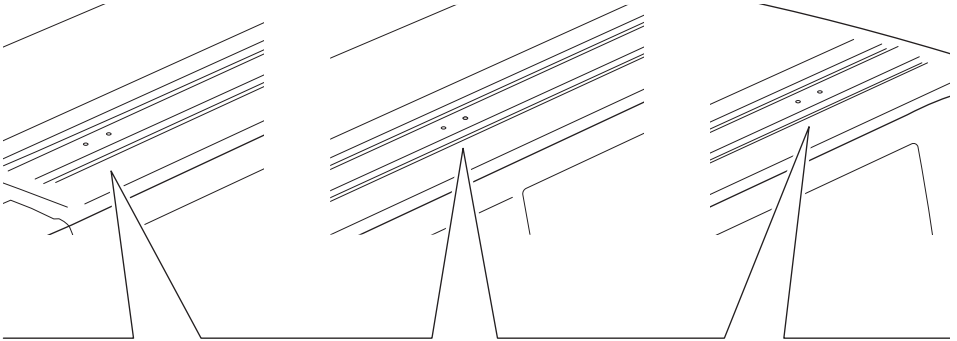
A



x6



B



1



2



C



1



2

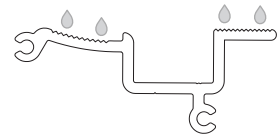
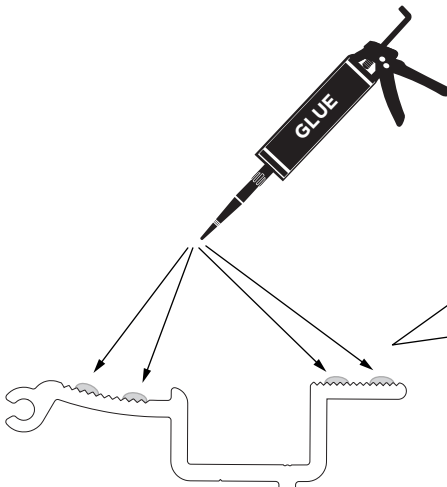
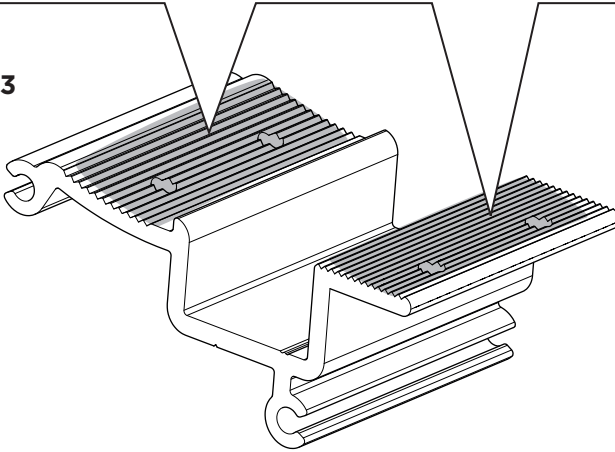


3



4

x3



4



x6



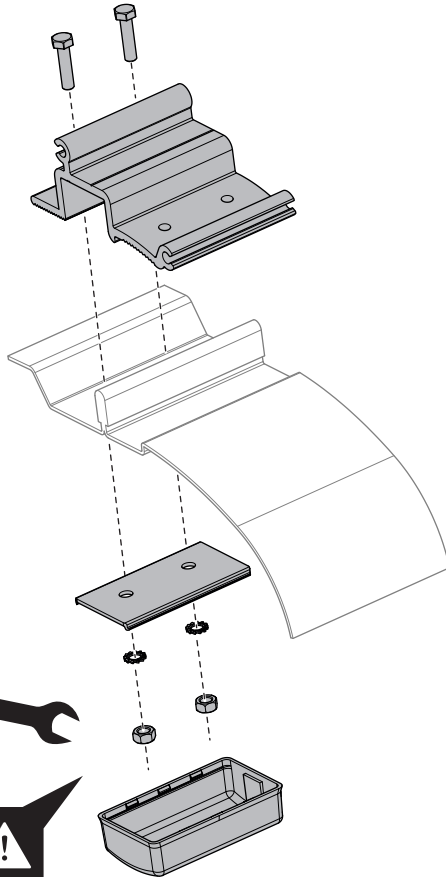
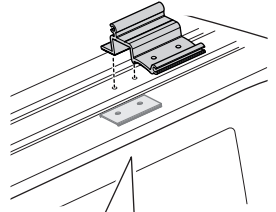
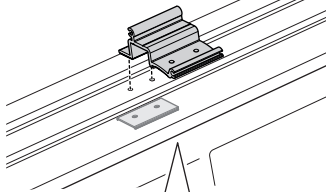
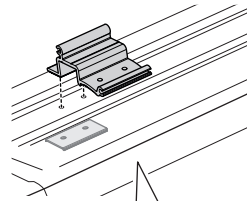
x6



x6



N° 10

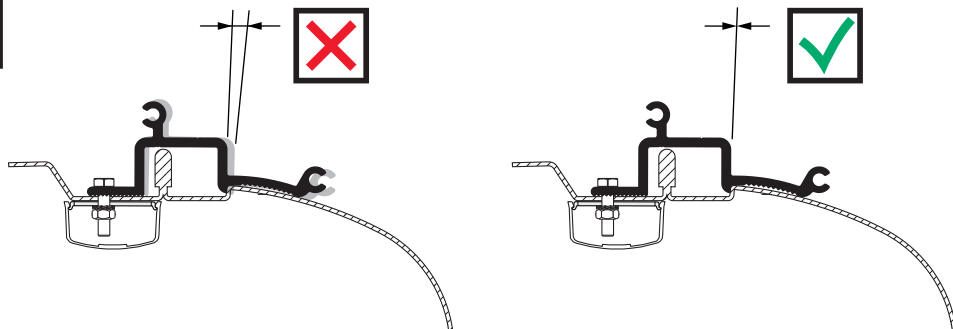


N° 10

6 Nm



i



5

x6
4,8 x 13 mm



Ø 4 mm



TX25

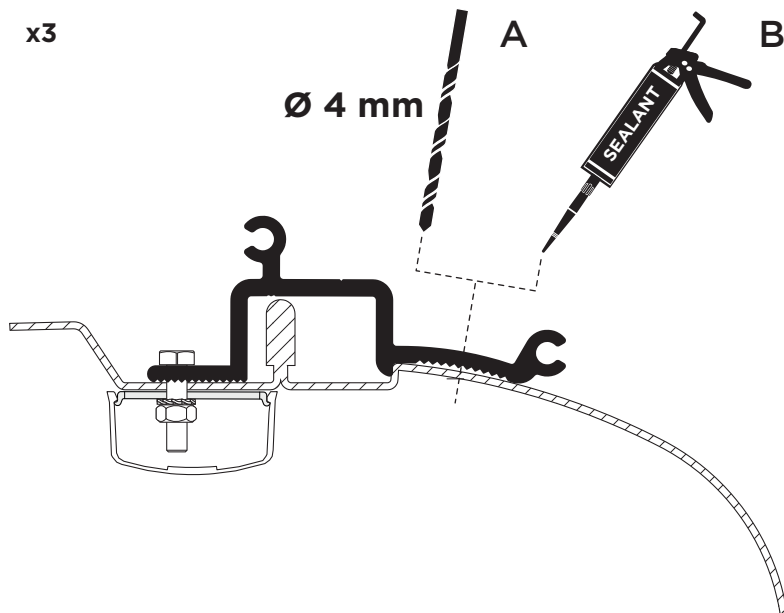


x3

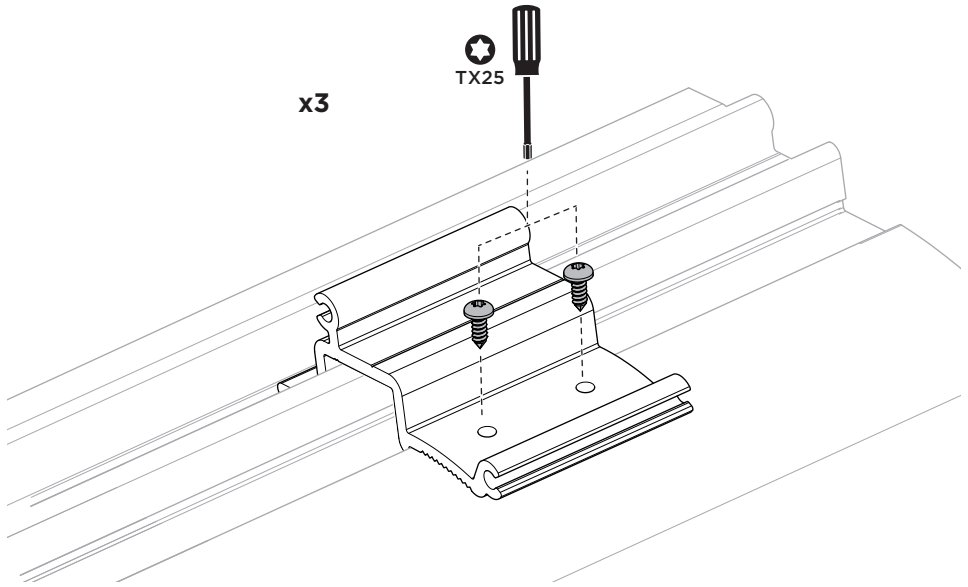
Ø 4 mm

A

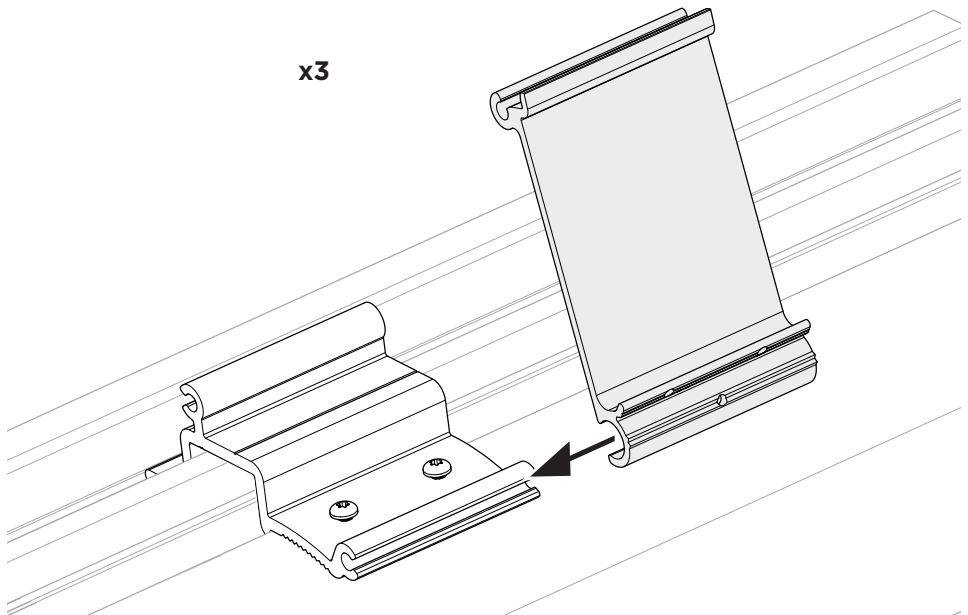
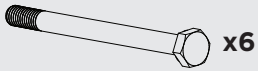
B



C



6



7

x3
4,2 x 16 mm

x6

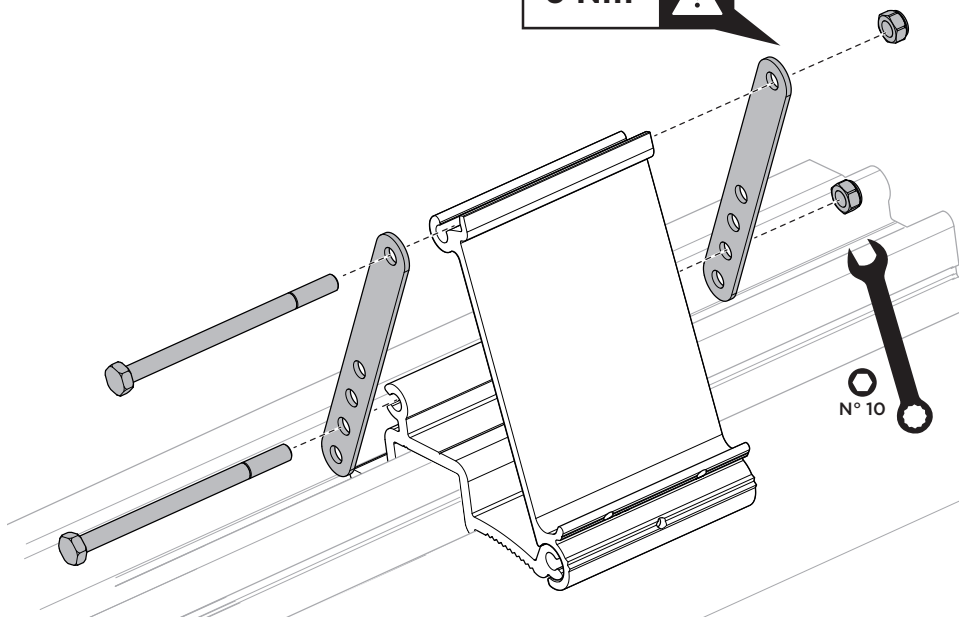
x6

TX20

N° 10

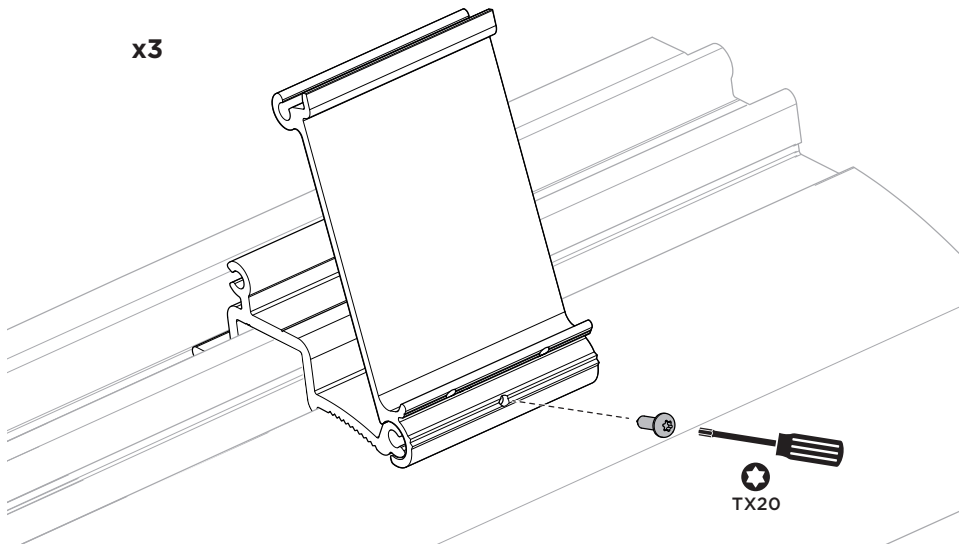
A

6 Nm

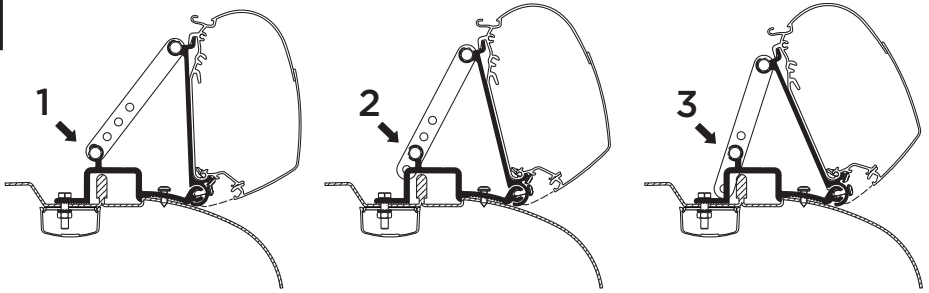


B

x3



i



8



x6



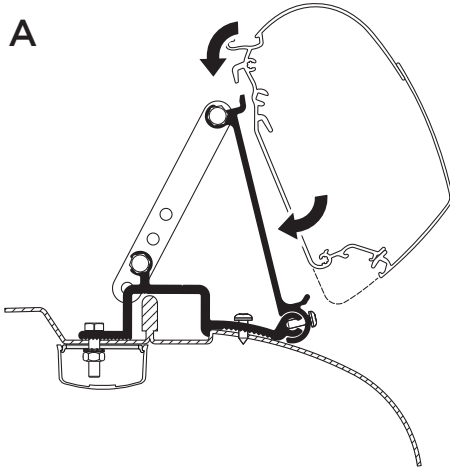
Ø 3 mm



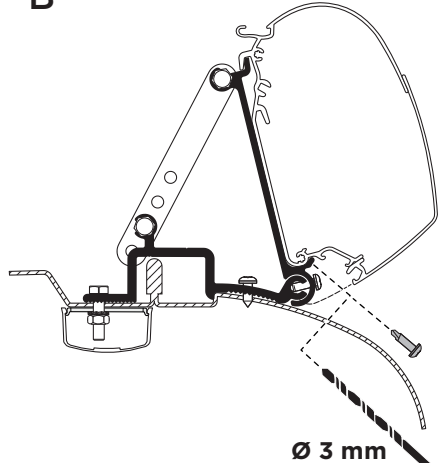
TX20



A



B



Ø 3 mm

i

