

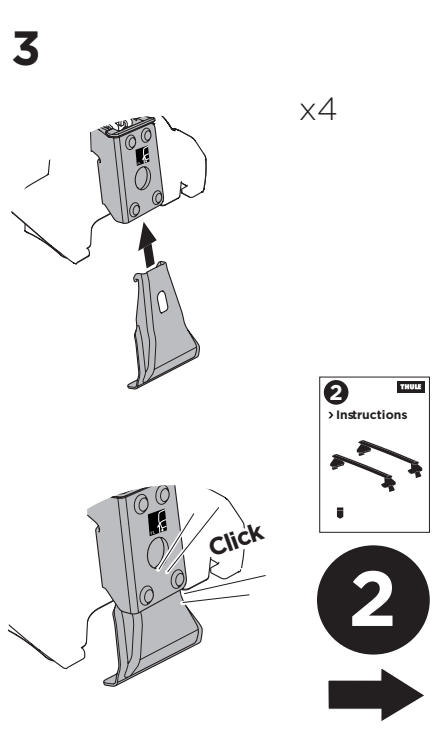
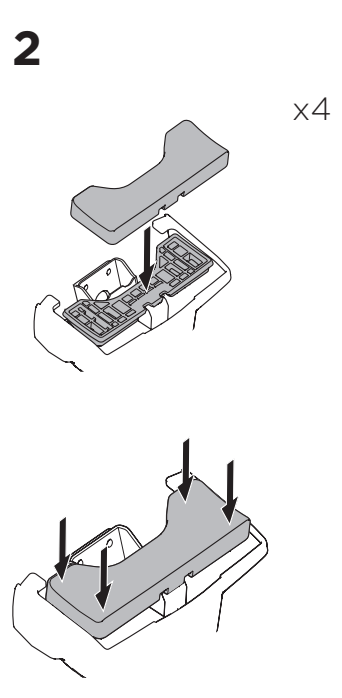
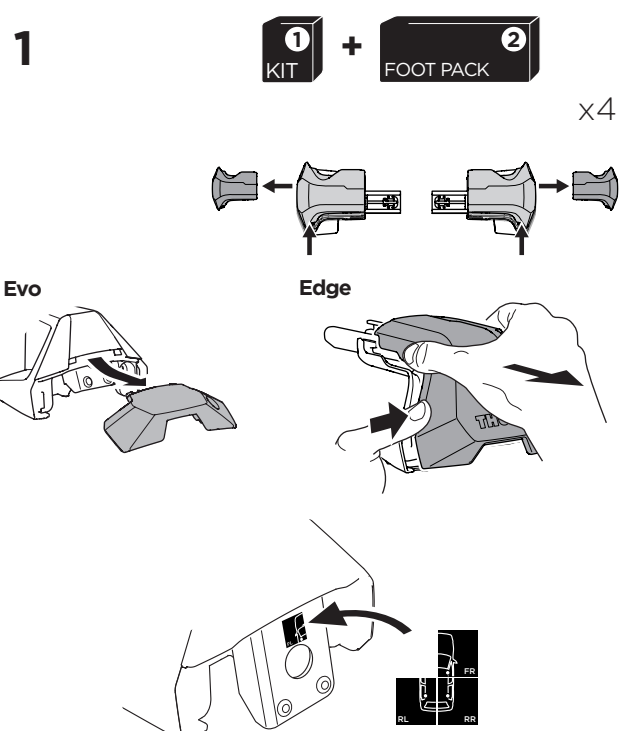
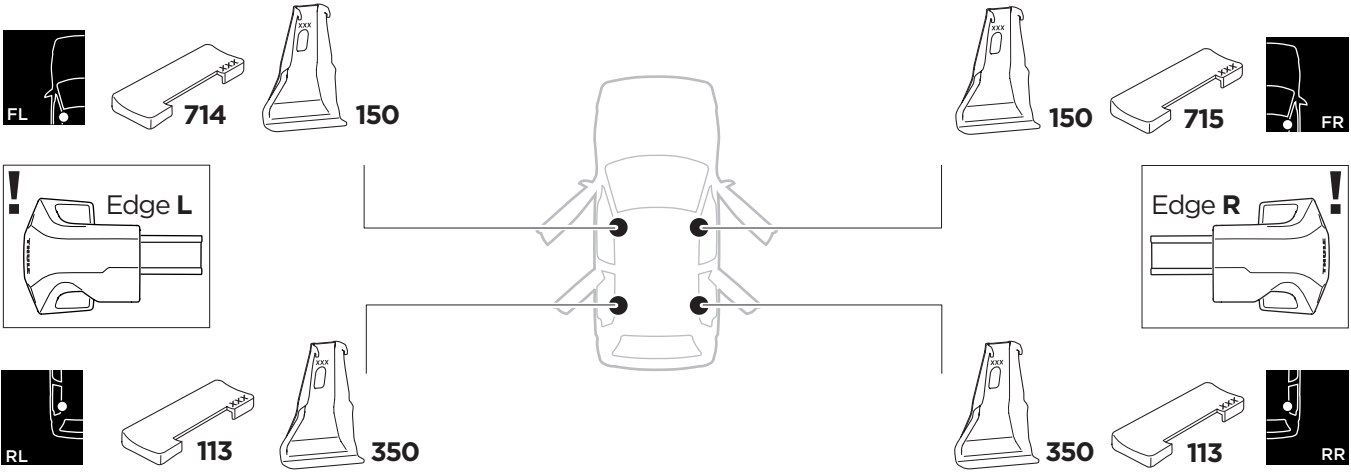
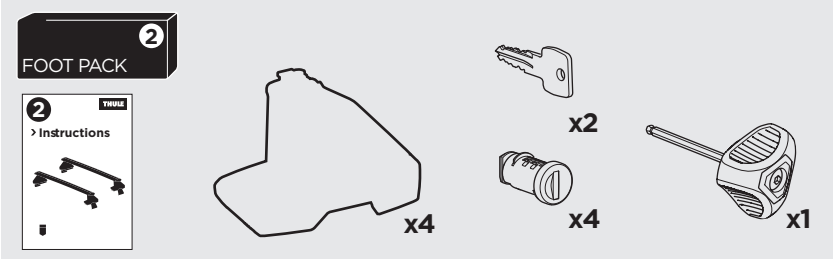
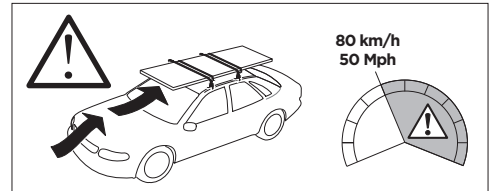
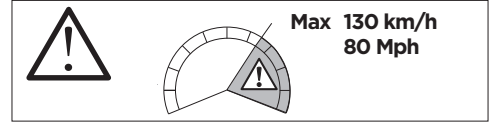
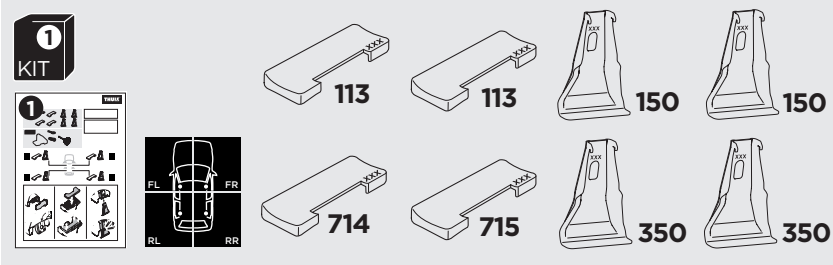
1

Kit 145234

Ford Ka, 5-dr Hatchback, 18-

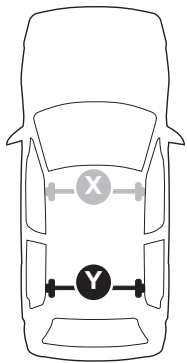


ISO 11154-E





THULE WingBar Evo	THULE WingBar Edge	THULE WingBar	THULE SquareBar Evo	Evo X (scale)	Edge X (scale)
Ford Ka, 5-dr Hatchback, 18-				33,5	L
THULE ProBar Evo	THULE SlideBar Evo				X (mm/inch)
Ford Ka, 5-dr Hatchback, 18-				986 mm / 38 7/8"	



THULE WingBar Evo	THULE WingBar Edge	THULE WingBar	THULE SquareBar Evo	Evo Y (scale)	Edge Y (scale)
Ford Ka, 5-dr Hatchback, 18-				32,5	N
THULE ProBar Evo	THULE SlideBar Evo				Y (mm/inch)
Ford Ka, 5-dr Hatchback, 18-				976 mm / 38 3/8"	

	W (mm/inch)	Z (mm/inch)
Ford Ka, 5-dr Hatchback, 18-	250 mm / 9 7/8"	700 mm / 27 1/2"

