

Installation Instructions

Use in conjunction with instruction manual from TracONE rack system

- 41000 - Toolbox Mount Kit For TracONE
- 34000, 34001 - Tacoma Mount Kit
- 41500, 41501 - Tacoma Mount Kit with Toolbox Mount

Toolbox Installation - 41000

1. Remove the front 2 clamps from either side of the front rack and replace with TB Front Clamps (Figure 1)
2. Take one of the TB Rear Mounts and thread a 3/8" -16 BHCS in through the bottom of the clamp.
3. Take the C-Channel Clamp Foot and place it on top of the 3/8" BHCS (Figure 2)
4. Repeat Steps 2 & 3 for the opposite TB Rear Mount.
5. Place the Rounded Shims on the sidewall of your truck, approximately 2" to 3" behind the upright bases as illustrated (Figure 1) This distance will vary depending on the size of the toolbox
6. Mount the assembled clamps (Step 1-3) onto the rounded shims and **torque down the BHCS to 14 lb-ft using a 9/16" socket and torque wrench.** Re-torque the TB Front Clamps to 14 lb-ft.
7. Place your toolbox on top of the clamps and secure it by using the 3/8" washer and the 3/8" -16 BHCS.

⚠ Torque the BHCS to 27 ft-lbs. (Figure 3)

Note: When positioning the toolbox, please note that there is sufficient clearance for the lid to open so that it does not scratch the uprights.

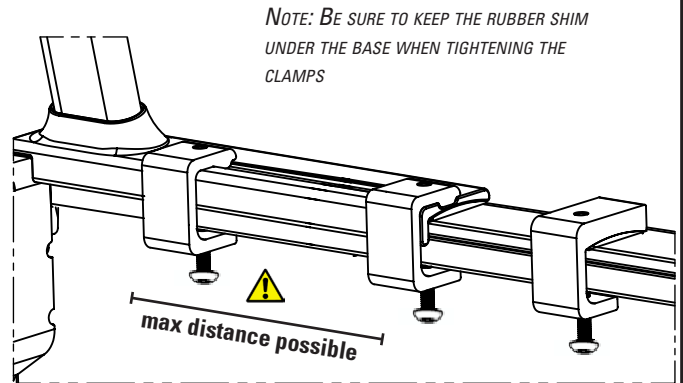


Figure .1



IMPORTANT: If your toolbox does not come with pre-drilled holes/slots that line up with the threaded clamps, you will need to position your toolbox in the desired location, mark the necessary hole locations, remove the toolbox and then drill either a 13/32" or 7/16" clearance hole. After the holes are drilled you will be able to mount your toolbox.

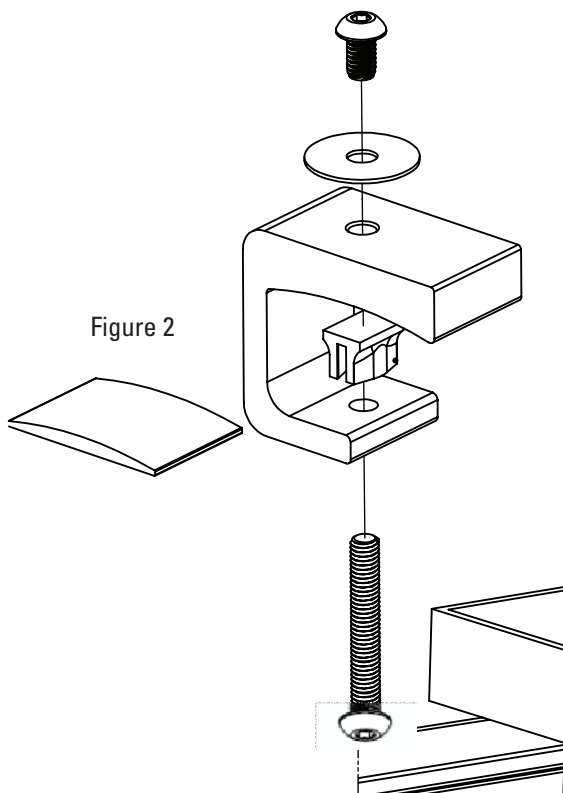


Figure 2

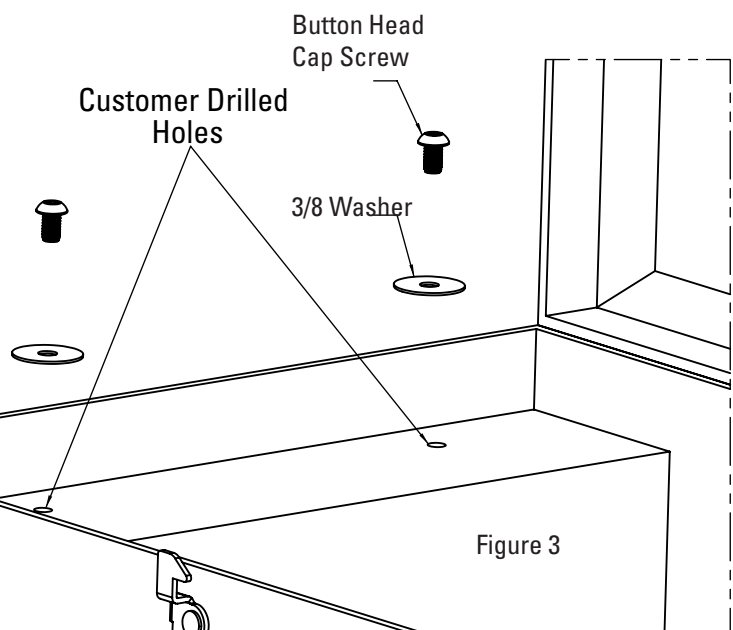
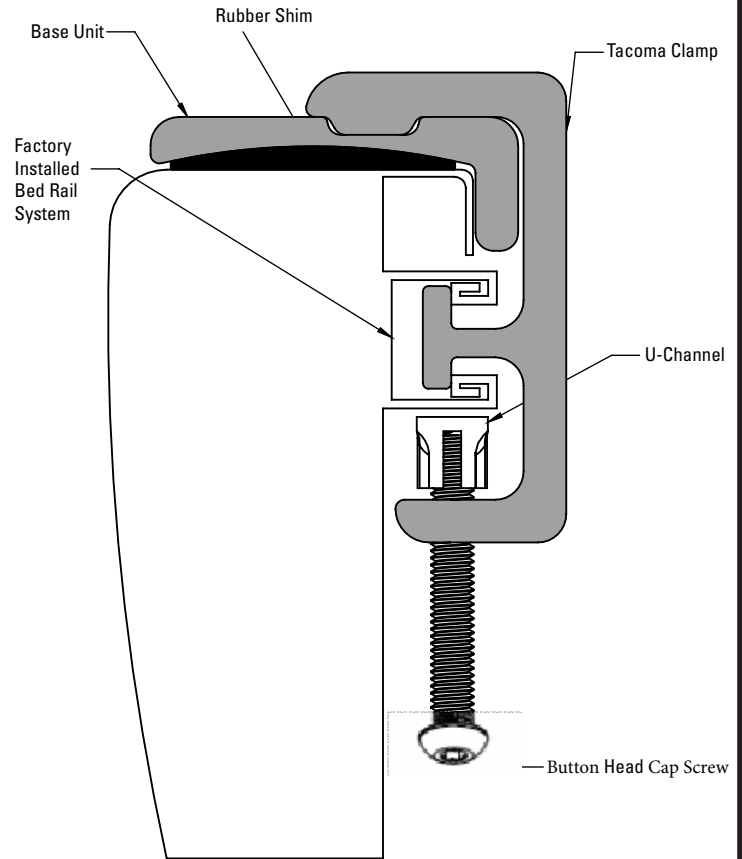


Figure 3

Toyota Tacoma Mount Installation - 34000, 34001

Tacoma Installation (Clamp Set)

1. Remove the plastic end-caps from the factory installed rails, front and back.
 2. Take the Tacoma mount clamp and partially thread a 3/8"-16 BHCS through the tapped hole located on the bottom of the clamp. Use hole at end of flange.
 3. Slide two clamps into each factory installed rail from the back end of the truck and replace the rear plastic end-caps.
 4. Slide two clamps into each factory installed rail from the front end of the truck and replace the front end-caps. *If installing a toolbox, slide three clamps into the front of the factory rail.*
 5. With the clamps retained in the track now slide 2 of them on each upright base, the clamps should be spaced as far a part as possible.
 6. *Reference the placement of the uprights from the TracONE installation book.* With the base in the desired location place a 3" U channel on top of the button head caps screws.
 7. Torque the button head cap screws to 14 lb-ft using a 9/16" open end wrench.
- *Note: The 3" U Channel and 3/8"-16 Button Head Cap Screw are included with the original rack hardware.*



Toyota Tacoma Toolbox Installation - 41500, 41501

1. Remove the plastic end-caps from the factory installed rails, front and back.
2. Take the Tacoma Tool Box Mount Clamp and partially thread a 3/8" -16 button head cap screw through the tapped hole located on the bottom of the clamp. Use hole at end of flange.
3. Slide two clamps into each factory installed rail from the back end of the truck and replace the rear end-caps.
4. Slide three clamps into each factory installed rail from the front end of the truck and replace the front end-caps.
5. With the clamps retained in the track now slide 2 of them on each upright base, with the base in the desired location place a 3" U channel on top of the button head caps screws. Reference the placement of the uprights from the original installation manual.
6. Place a rubber shim and tool box shim under the two remaining clamps in the front along with a 7/8" U channel on top of the button head caps screws.
7. Torque the button head cap screws down to 14 lb-ft using a 9/16" open end wrench.
8. Follow the remaining steps in Toolbox Installation directions on page 1. - 41000.

- *The 3" U Channel and 3/8"-16 Button Head Cap Screw are included with the original rack hardware.*

