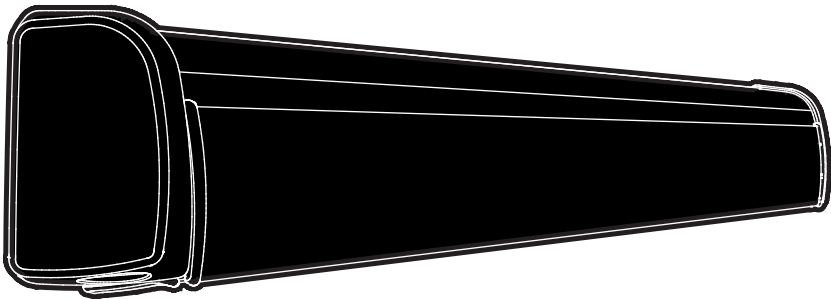
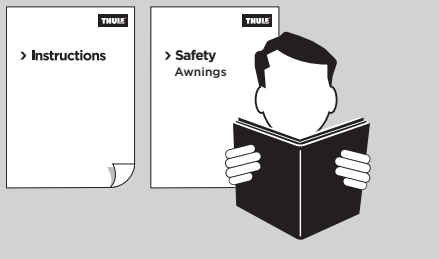


USER + INSTALLATION

➤ Instructions

Thule 4200
3028XX





| | |
|-----------|--------------------------|
| DE | Markise - Anleitung |
| NL | Luifel - Instructies |
| FR | Store - Instructions |
| IT | Tendalino - Istruzioni |
| ES | Toldo - Instrucciones |
| SV | Markisen - Instruktioner |
| FI | Markiisit - Ohjeet |
| DA | Markisen - Instruktioner |
| NO | Markisen - Instruksjoner |

| | |
|-----------|-----------------------|
| PL | Markiza - Instrukcje |
| PT | Toldo - Instruções |
| CS | Markýza - Návod |
| SL | Ponjava - Navodila |
| TR | Güneşlik - Talimatlar |
| ZH | 遮阳篷 - 说明 |
| JA | オーニング - 取扱説明書 |
| KO | 어닝 - 지침 |

USER**4****1 WARNINGS & INFO****4**

Warnungen & Infos / Waarschuwingen & info / Avertissements & informations / Avvertenze & informazioni / Advertencias & información / Varningar & information / Varoituksia & tietoja / Advarsler & info / Advarsler & information / Ostrzeżenia & informacja / Avisos e informações / Varování a informace / Opozorila in informacije / Uyarılar ve Bilgiler / 警告和信息 / 警告と情報 / 경고 및 정보

2 OPEN**7**

Öffnen / Openen / Ouvrir / Apri / Abrir / Öppna / Avaa / Åben / Äpne / Otwórz / Abrir / Otevířit / Odpreti / Açın / 打开 (动词) / 開く (動詞) / 열기(동사)

3 CLOSE**13**

Schließen / Sluiten / Fermer / Chiudi / Cerrar / Stånga / Sulje / Luk / Lukke / Zamknij / Fechar / Zavřít / Zapreti / Kapatın / 关闭 (动词) / 閉じる (動詞) / 닫기(동사)

INSTALLATION**17****4 CONTENT****17**

Inhalt / Inhoudsopgave / Sommaire / Contenuto / Contenido / Innehåll / Sisälllys / Indhold / Innhold / Treść / Índice / Obsah / Kazalo / İçerik / 目录 / 目次 / 목차

5 TOOLS**18**

Werkzeuge / Gereedschappen / Outils / Strumenti / Herramientas / Verktøy / Työkalut / Værktøj / Verktøy / Narzędzia / Ferramentas / Nářadí / Orodja / Aletler / 工具 / ツール / 도구

6 RAIN GUTTER INSTALLATION**19**

Installation der Regenrinne / Installatie Regengoot / Installation de la gouttière / Installazione della grondina / Instalación del vierteaguas / Installation av dropplister / Vesikourun asennus / Montering af tagrende / Montering av regnenne / Instalacja dachu z rynienkami / Instalação da calha de água / Instalace odtokového žlábků / Nameštitev žleba / Yağmur oluğu montajı / 排雨槽安裝 / レインガーターの取り付け / 빗물받이 설치

7 INSTALLATION**20**

Montage / Installatie / Installation / Installazione / Instalación / Montering / Asennus / Montering / Montering / Montáž / Instalação / Montáž / Nameštitev / Montaj / 安裝 / 取り付け / 설치

8 FOOT SUPPORT INSTALLATION 23

Installation der Fußstütze / Installatie voetsteun / Installation du repose-pieds / Installazione del supporto del piede / Instalación del soporte para pies / Fotstödsinstallation / Jalkatuen asennus / Montering af fodstøtte / Fotstøttemontering / Instalacja wspornika stopy / Instalação do suporte da base / Instalace podpěry nohou / Namestitev podpore za noge / Ayak desteği montajı / 支脚安装 / フットサポートの取り付け / 발 지지대 설치

9 HAND CRANK SUPPORT INSTALLATION 26

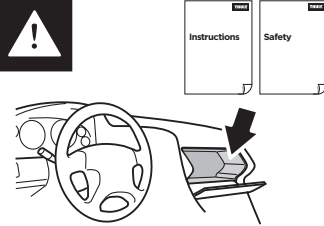
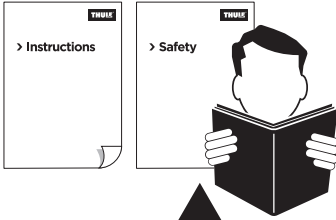
Installation der Handkurbelstütze / Installatie handzwengelsteun / Installation du repose-manivelle / Installazione del supporto della manovella manuale / Instalación del soporte de la manivela / Installation av handvevsstöd / Käsikammen tuen asennus / Håndsving hjælper med installation / Håndsveivstøttemontering / Instalacja wsparcia korby ręcznej / Instalação do suporte da manivela manual / Instalace podpěry ruční kliky / Namestitev ročice / Elle çevirme desteği montajı / 手柄支架安装 / 手动操作 crank 的支持の取り付け / 핸드 크랭크 지지대 설치

10 ACCESSORIES 27

Zubehör / Accessoires / Accessoires / Accessori / Accesorios / Tillbehör / Lisävarusteet / Tilbehør / Tilbehør / Akcesoria / Acessórios / Příslušenství / Dodatna oprema / Aksesuarlar / 配件 / アクセサリー / 액세서리

USER

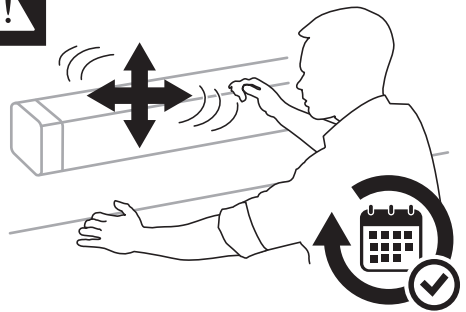
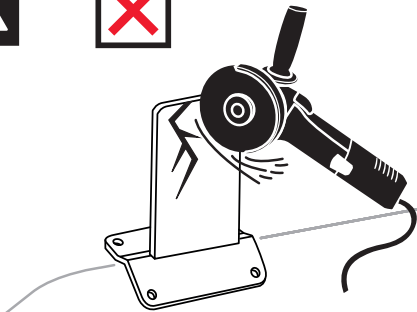
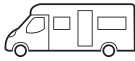
1 WARNINGS & INFO

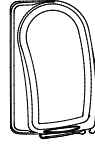
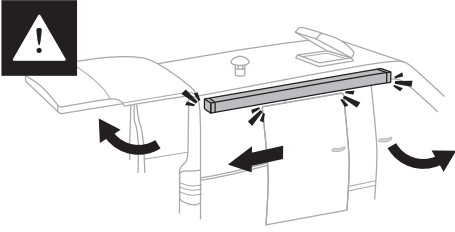


OK

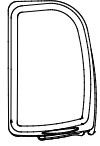


NOT OK



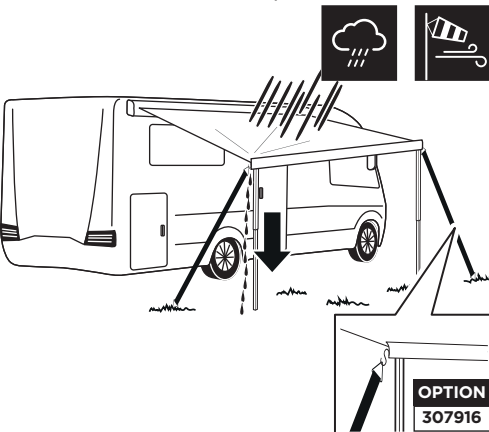
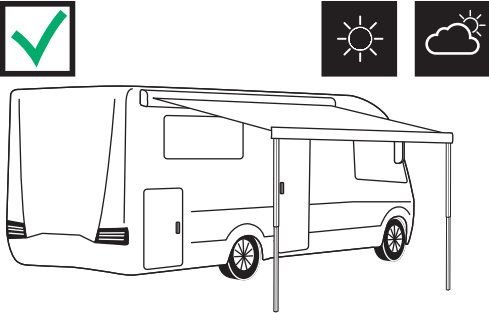
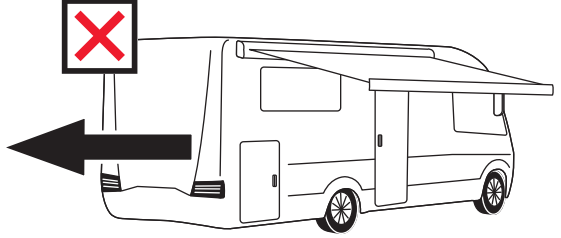
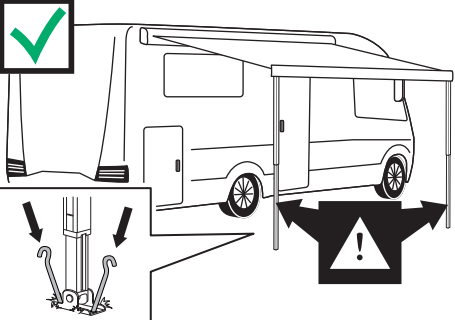


OR



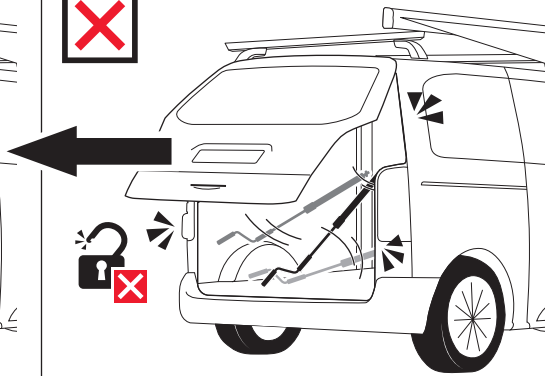
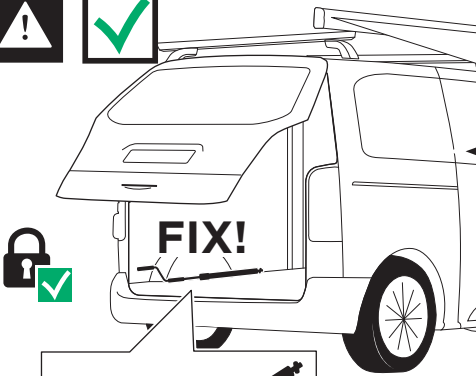
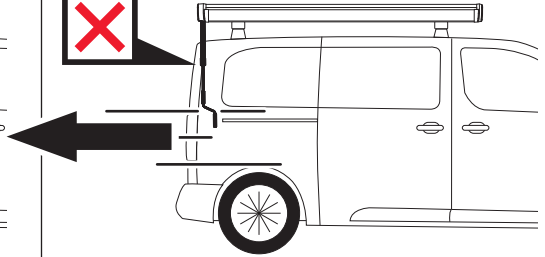
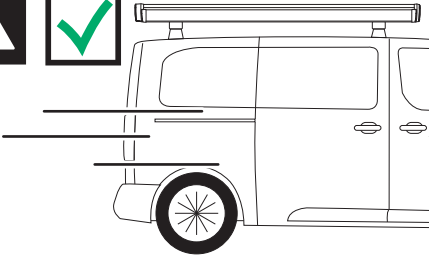
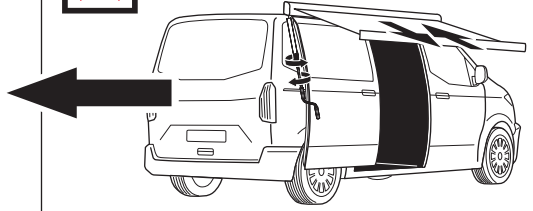
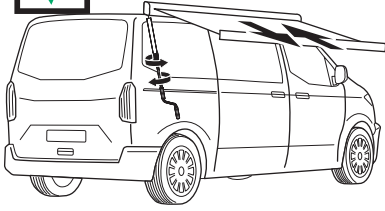
2,6 m
3,0 m

3,5 m
4,0 m
4,5 m

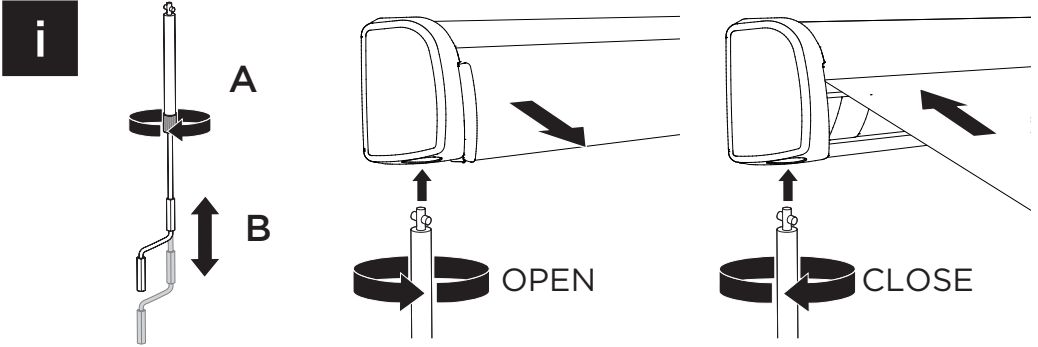


**CLOSE
THE AWNING**

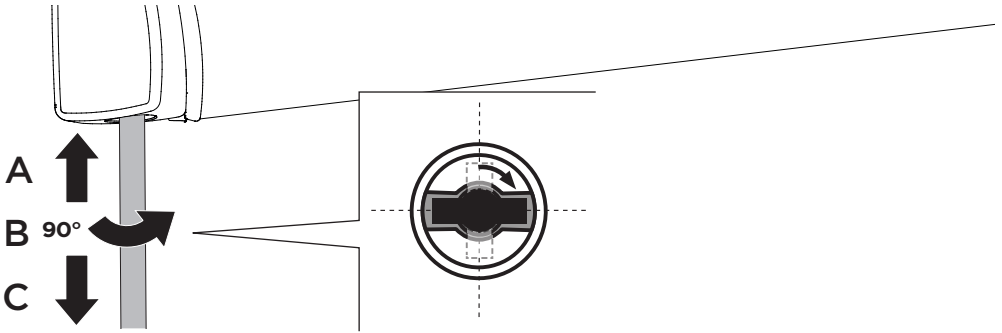




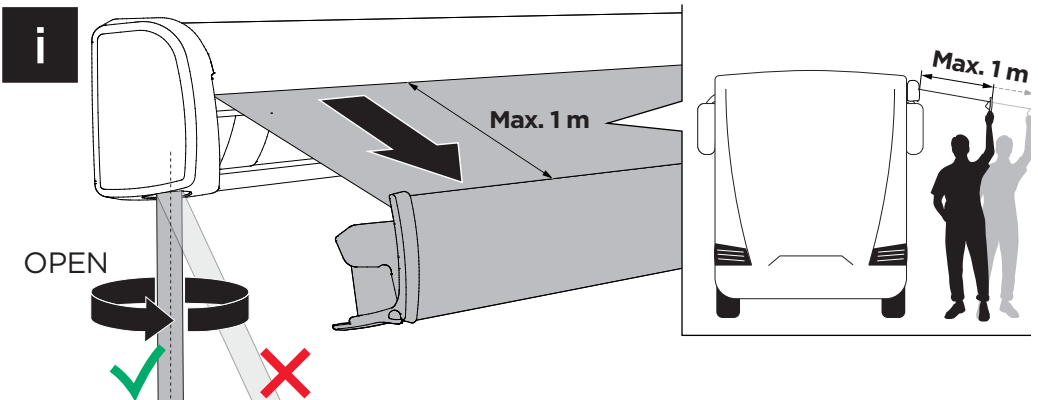
2 OPEN



1

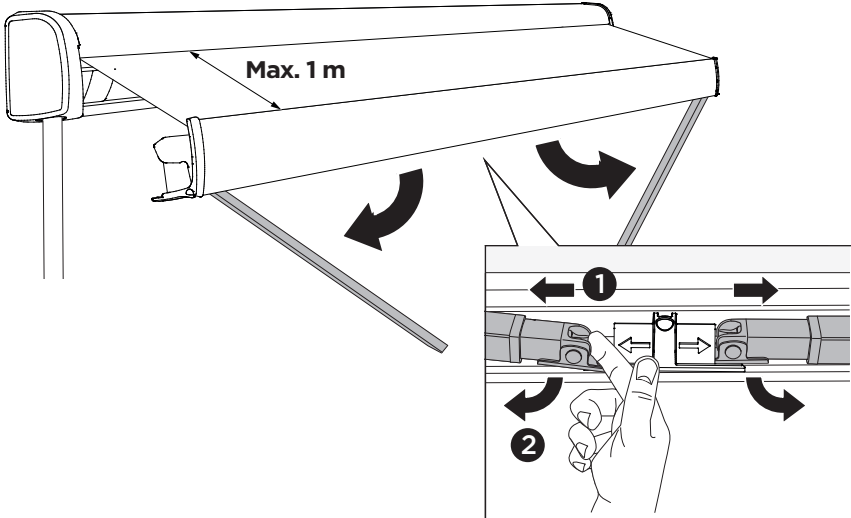


2

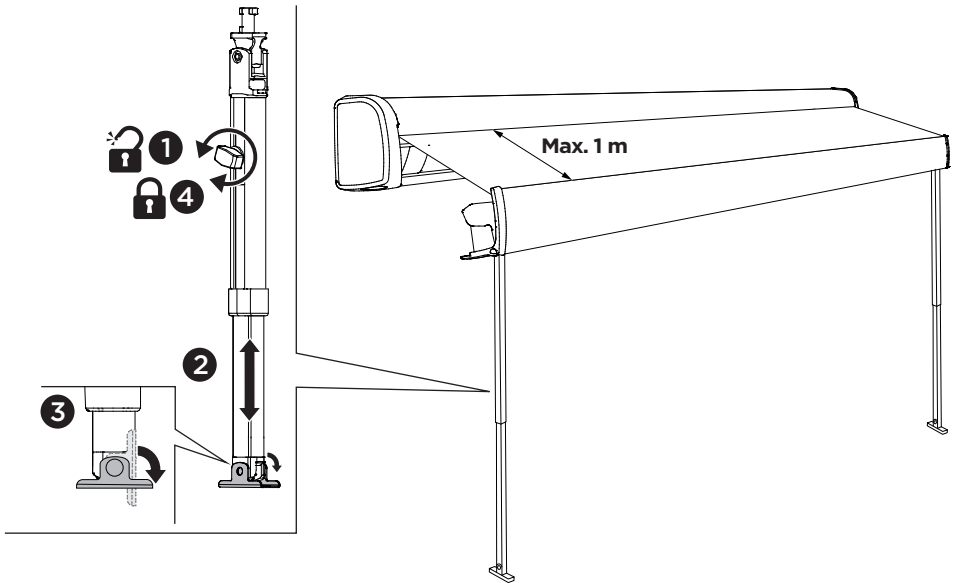


3

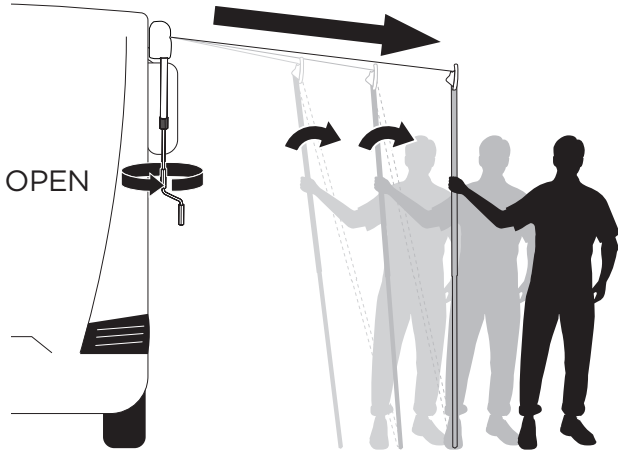
A



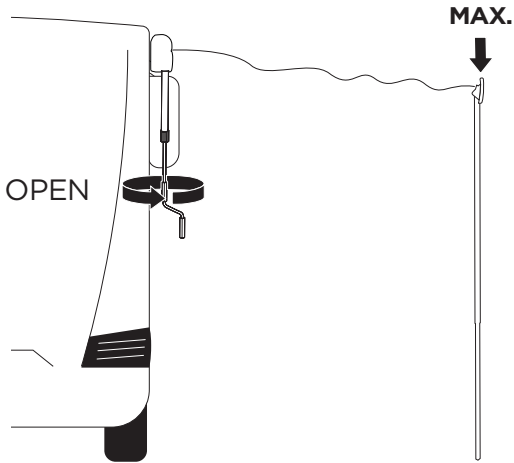
B

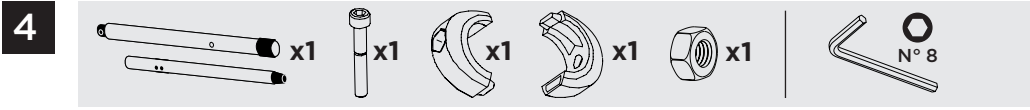


C

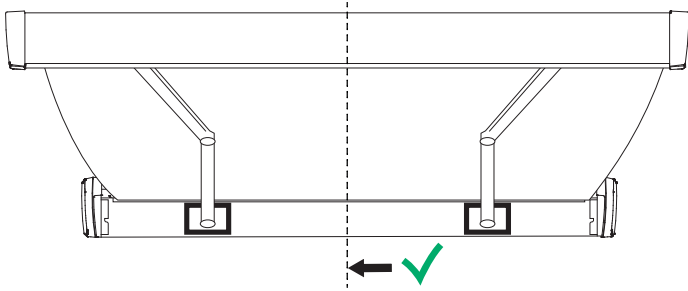
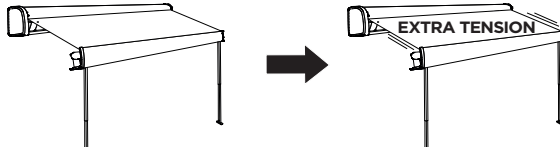


D

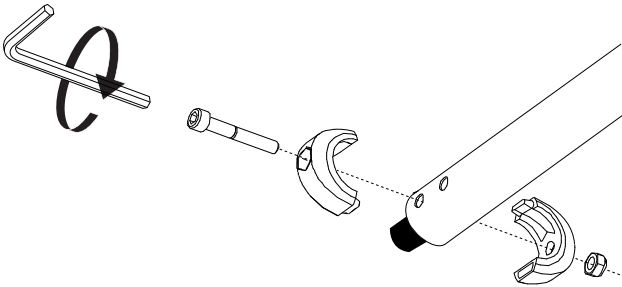




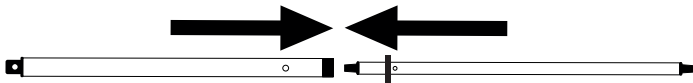
| TENSION RAFTER G2 307307 / 307309 | 2,6M 307307 | 3,0M 307309 | 3,5M 307309 | 4,0M 307309 | 4,5M 307309 |
|--------------------------------------|----------------|----------------|----------------|----------------|----------------|
| | OPTION | OPTION | OPTION | ✓ | ✓ |

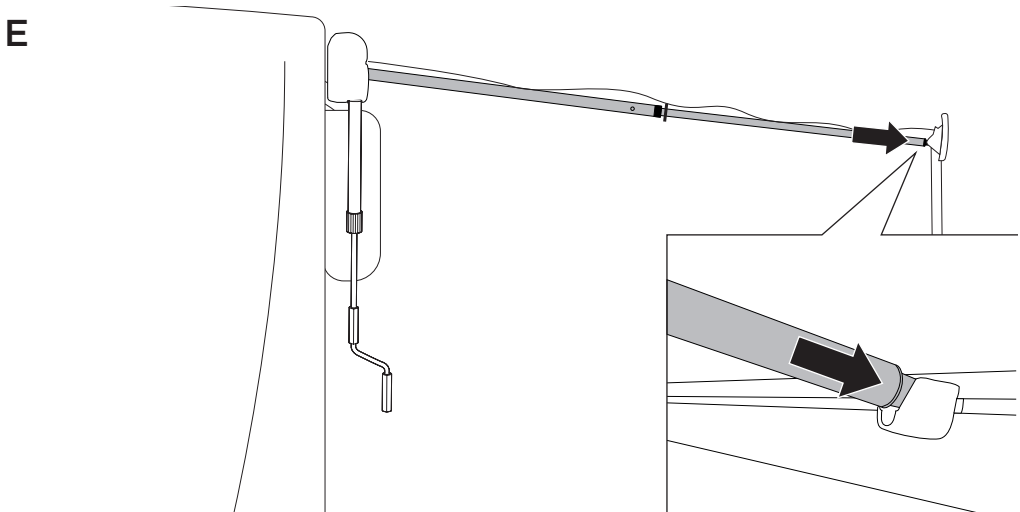
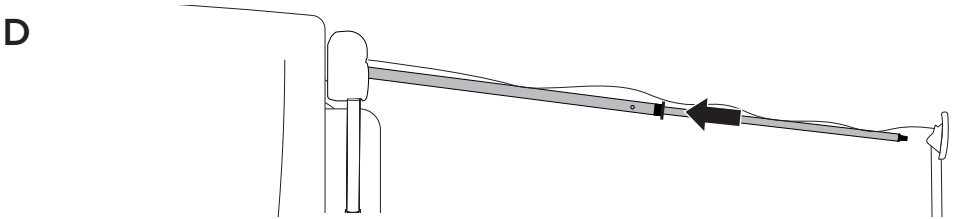
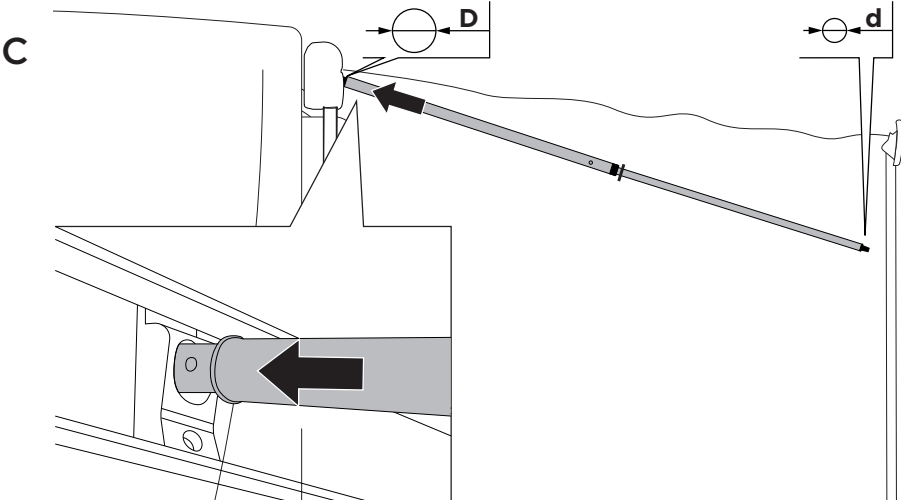


A

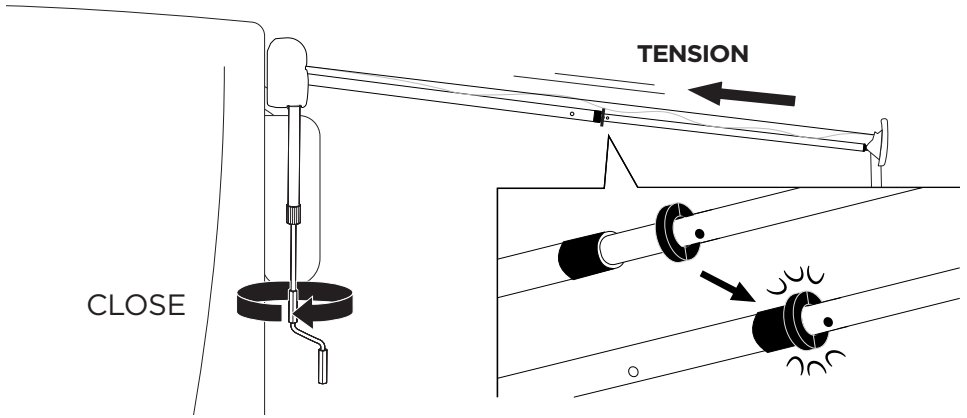


B

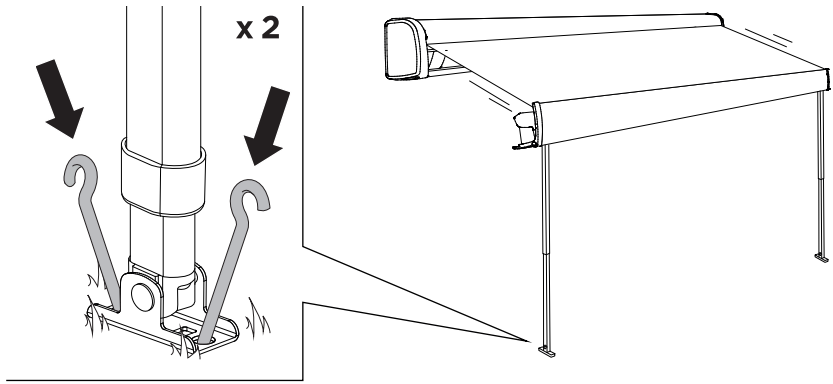




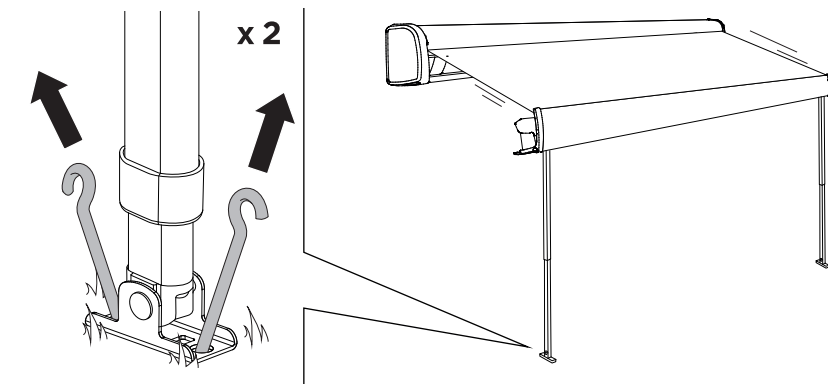
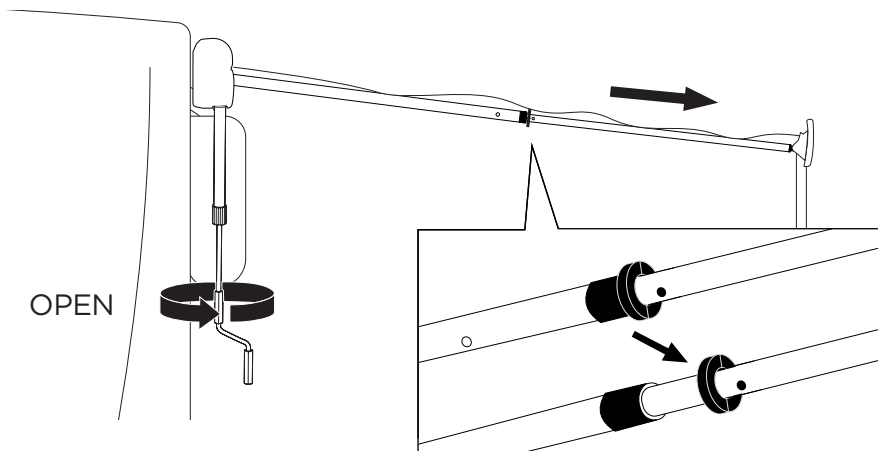
5



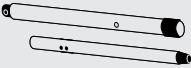
6



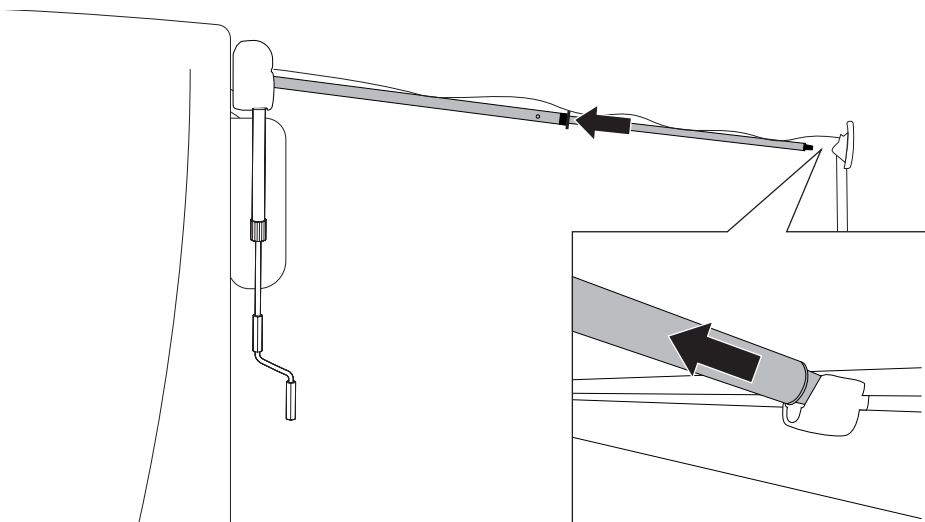
3 CLOSE

1**2**

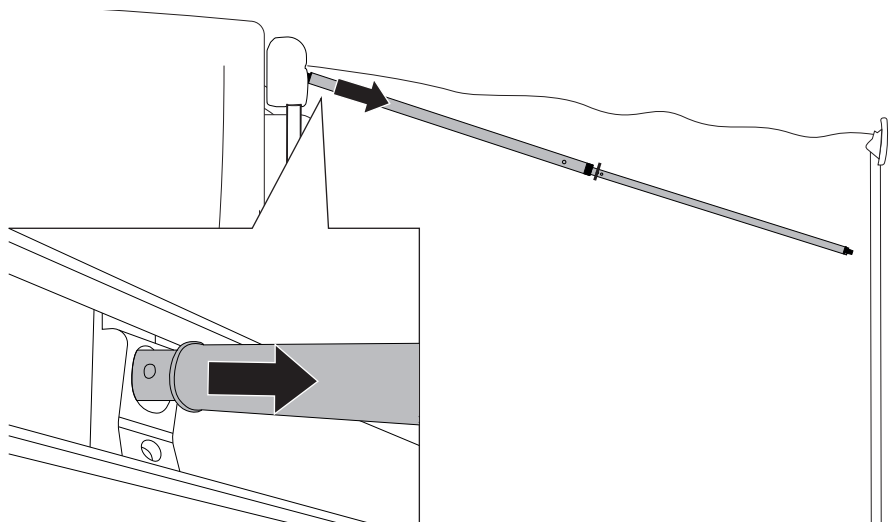
3

| TENSION RAFTER G2 307307 / 307309 | 2,6M 307307 | 3,0M 307309 | 3,5M 307309 | 4,0M 307309 | 4,5M 307309 |
|---|----------------|----------------|----------------|----------------|----------------|
|  | OPTION | OPTION | OPTION | ✓ | ✓ |

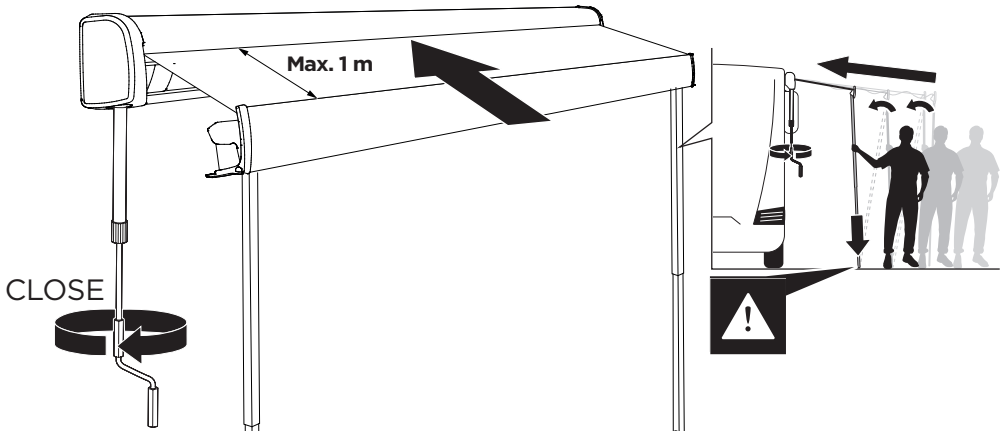
A



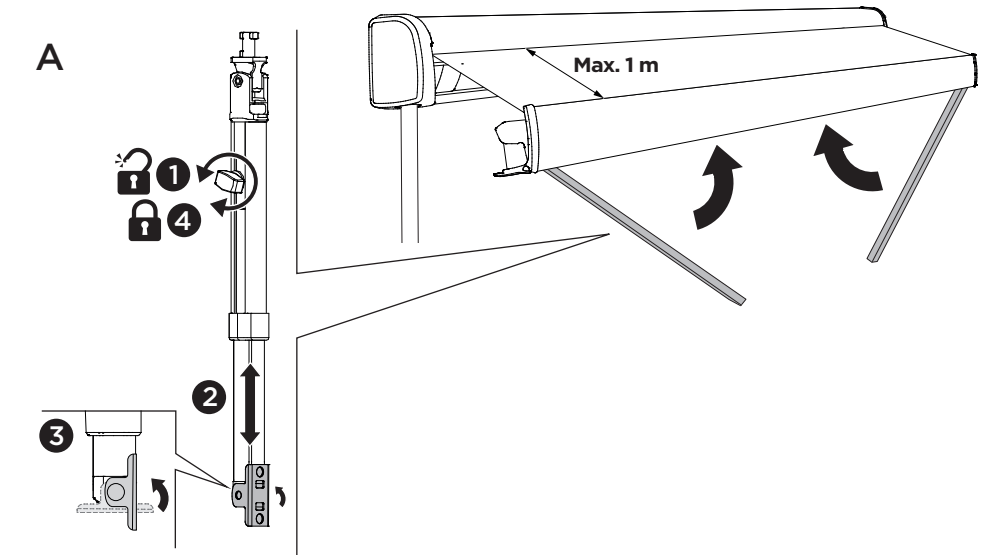
B

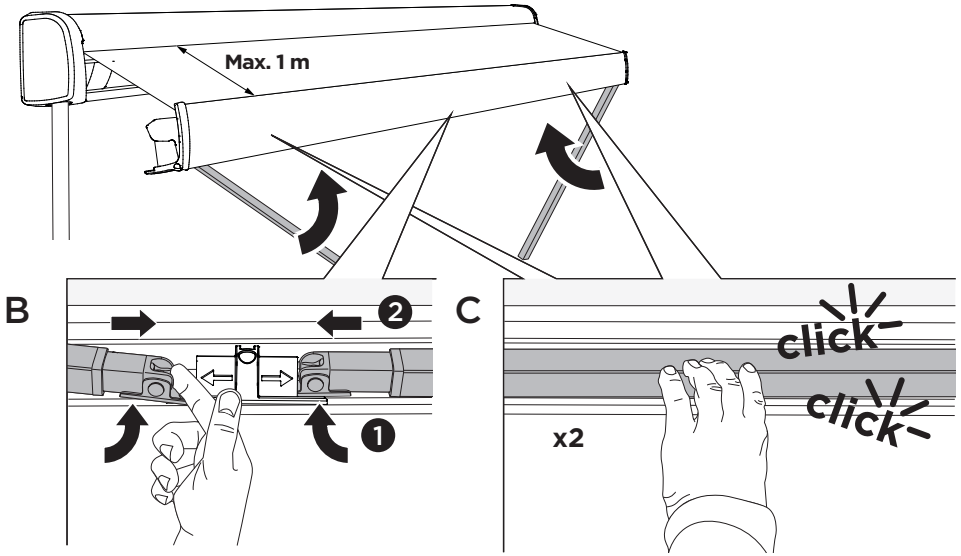


4

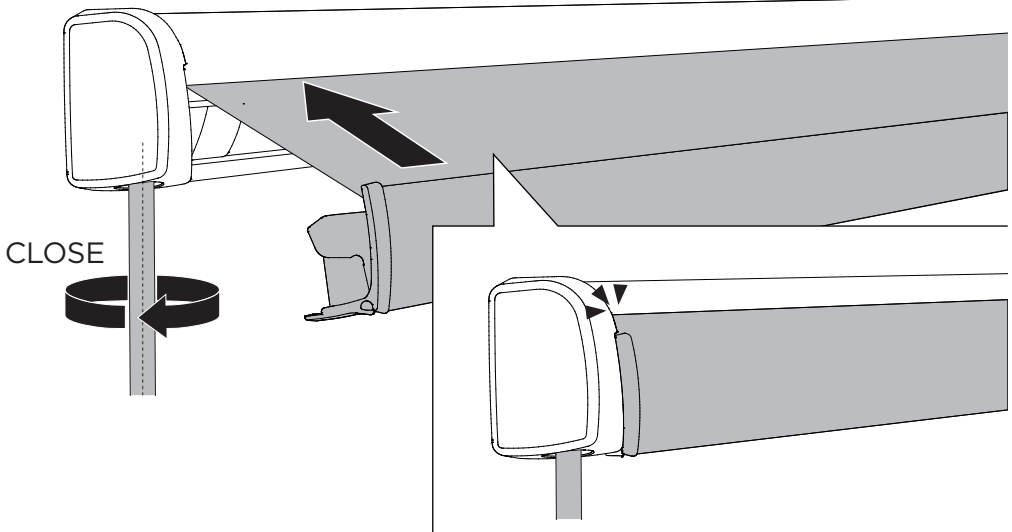


5





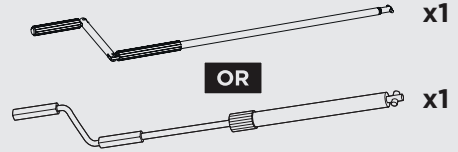
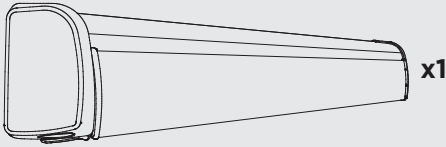
6





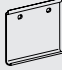

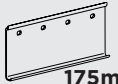

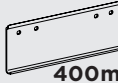

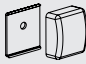
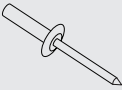
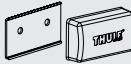
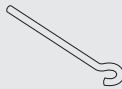

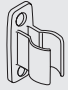

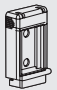






INSTALLATION

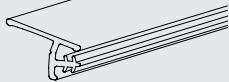
4 CONTENT

AWNING



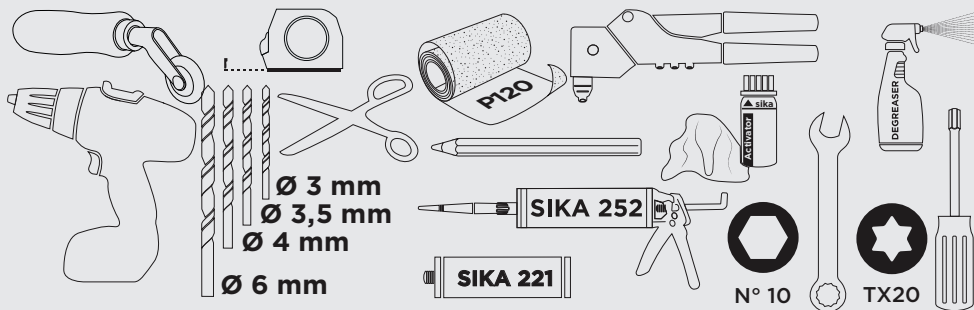
|  | 2,6m | 3,0m | 3,5m | 4,0m | 4,5m |  | 2,6m | 3,0m | 3,5m | 4,0m | 4,5m |
|--|------|------|------|------|------|---|------|------|------|------|------|
|  40mm | x1 | x1 | x1 | x2 | |  4,2 x 16 mm DIN 7504N TX20 | x5 | x5 | x5 | x6 | x5 |
|  80mm | x2 | x2 | | | x1 |  M6 DIN 934 | x7 | x7 | x7 | x8 | x10 |
|  175mm | | | x2 | x2 | |  M6 DIN 6798 | x7 | x7 | x7 | x8 | x10 |
|  400mm | | | | | x2 |  M5 DIN 125 | x4 | x4 | x4 | x4 | x4 |
|  | x3 | x3 | x3 | x4 | x4 |  | x4 | x4 | x4 | x4 | x4 |
|  | x2 | x2 | x2 | x2 | x3 |  | x4 | x4 | x4 | x4 | x4 |
|  M6 x 55 mm DIN 965 - TX30 | x2 | x2 | x2 | x2 | x2 |  | x2 | x2 | x2 | x2 | x2 |
|  M6 x 55 mm DIN 603 | x5 | x5 | x5 | x6 | x8 |  | x2 | x2 | x2 | x2 | x2 |
|  4,2 x 25 mm DIN 7981 - TX20 | x4 | x4 | x4 | x4 | x4 |  | | | | x1 | x1 |
|  4,2 x 25 mm DIN 7982 - TX20 | x4 | x4 | x4 | x4 | x4 |  | | | | x1 | x1 |

OPTIONAL 302690 - 302693



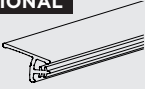
x1
Sealing Rubber

5 TOOLS

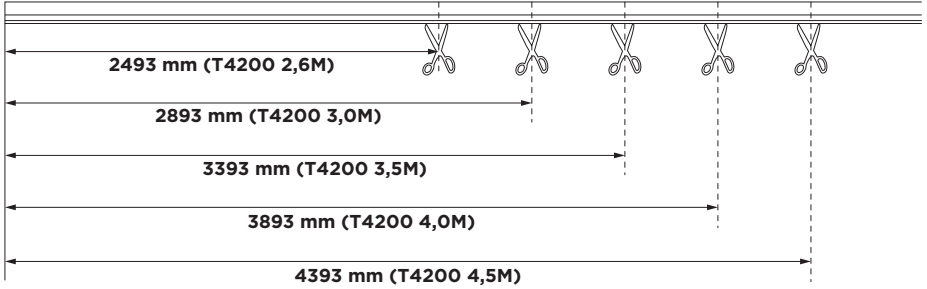


6 RAIN GUTTER INSTALLATION

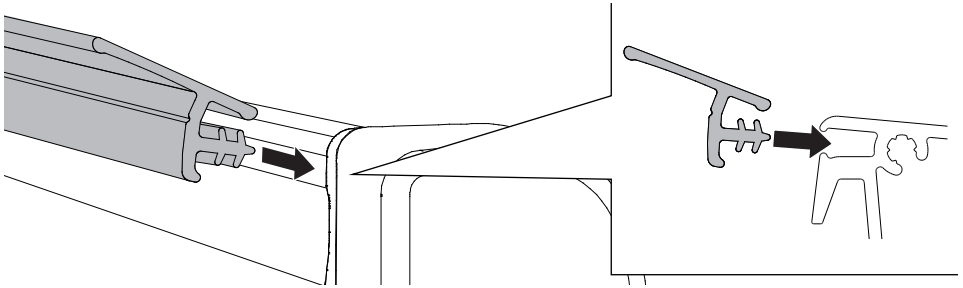
1 OPTIONAL



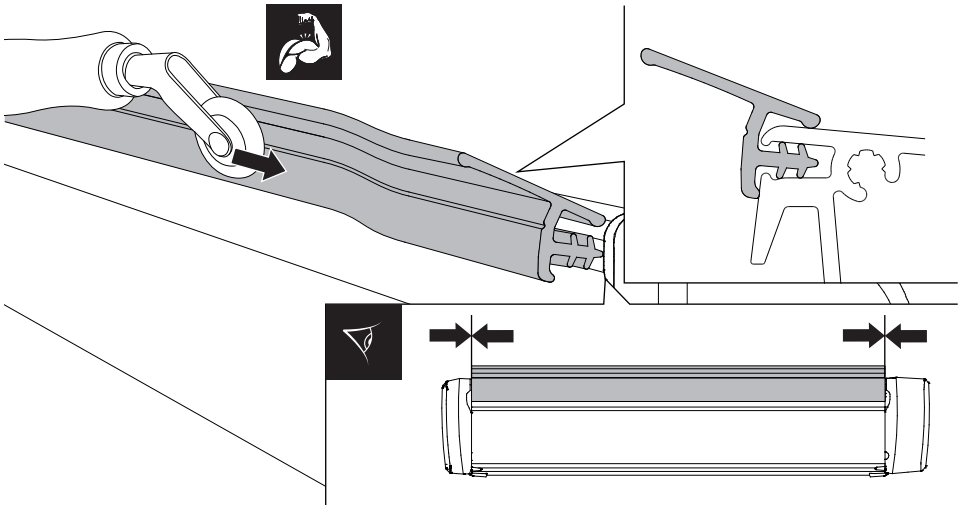
A



B



C



7 INSTALLATION

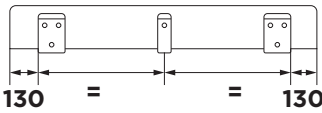
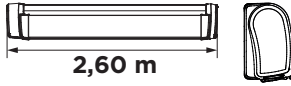
1



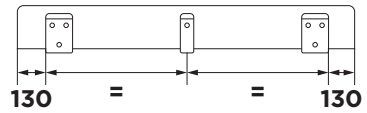
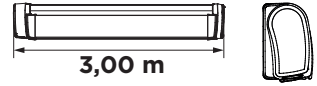
DEGREASER

i

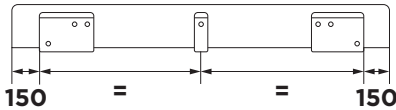
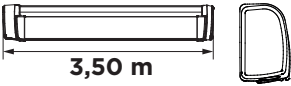
FIX X or Y



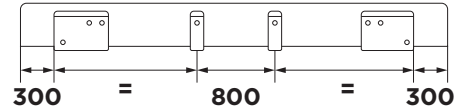
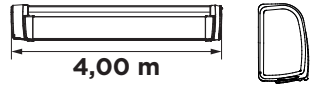
FIX X or Y



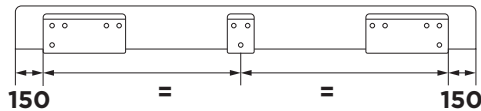
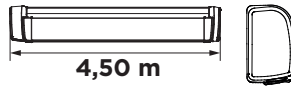
FIX Y or Z



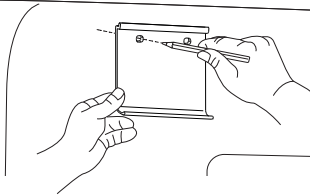
FIX Y or Z



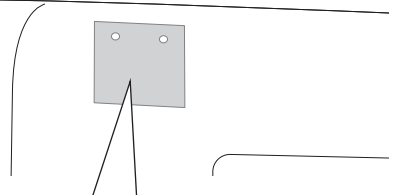
FIX Y or Z



A



B



1



2



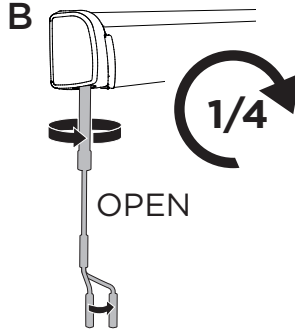
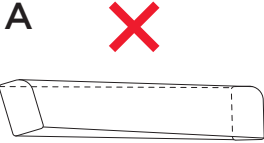
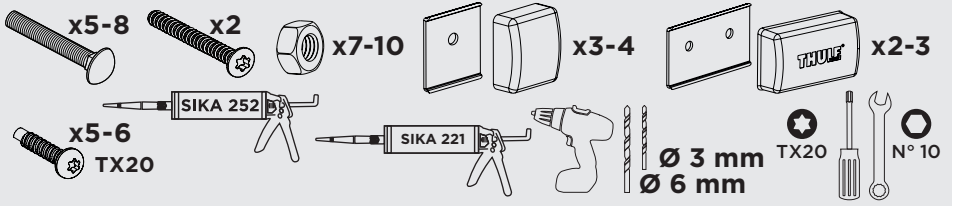
3



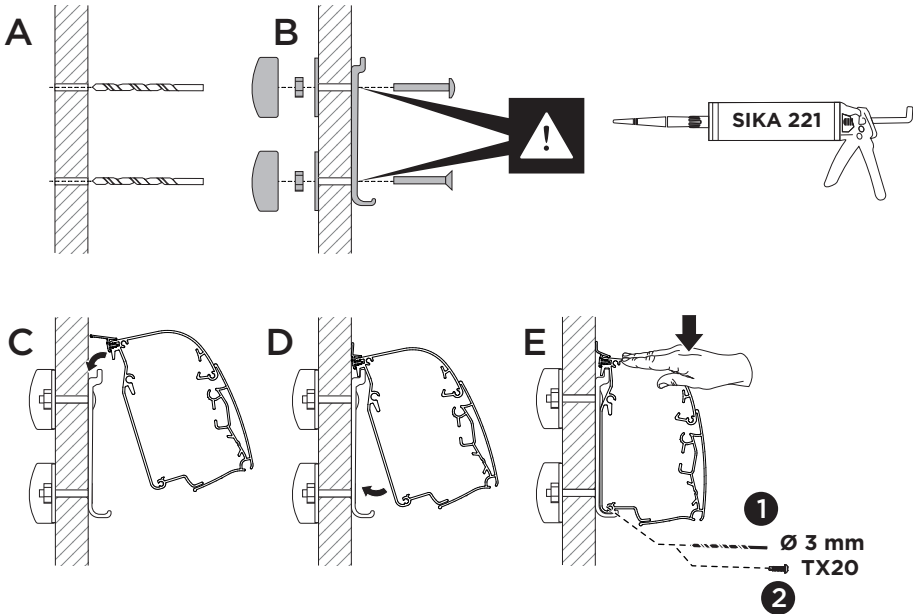
4



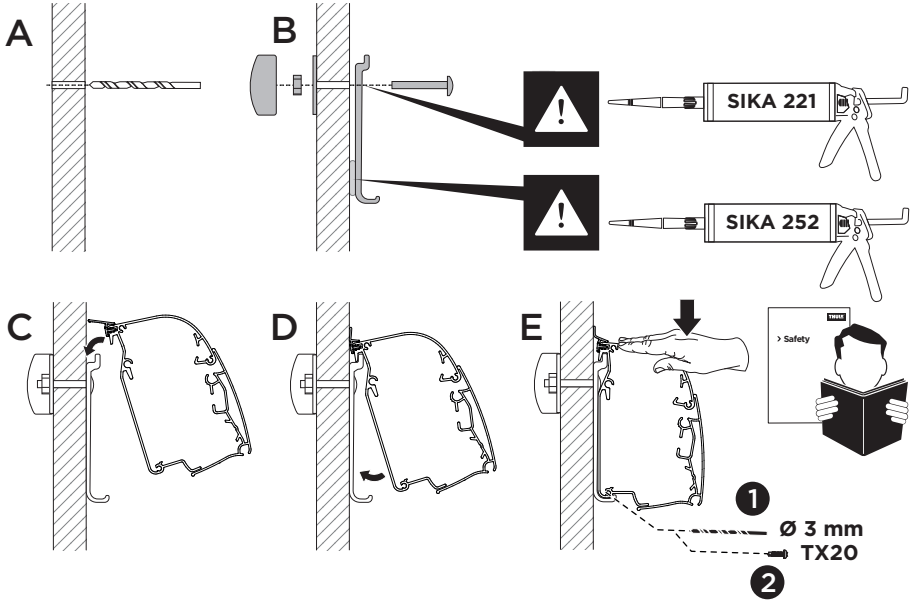
2



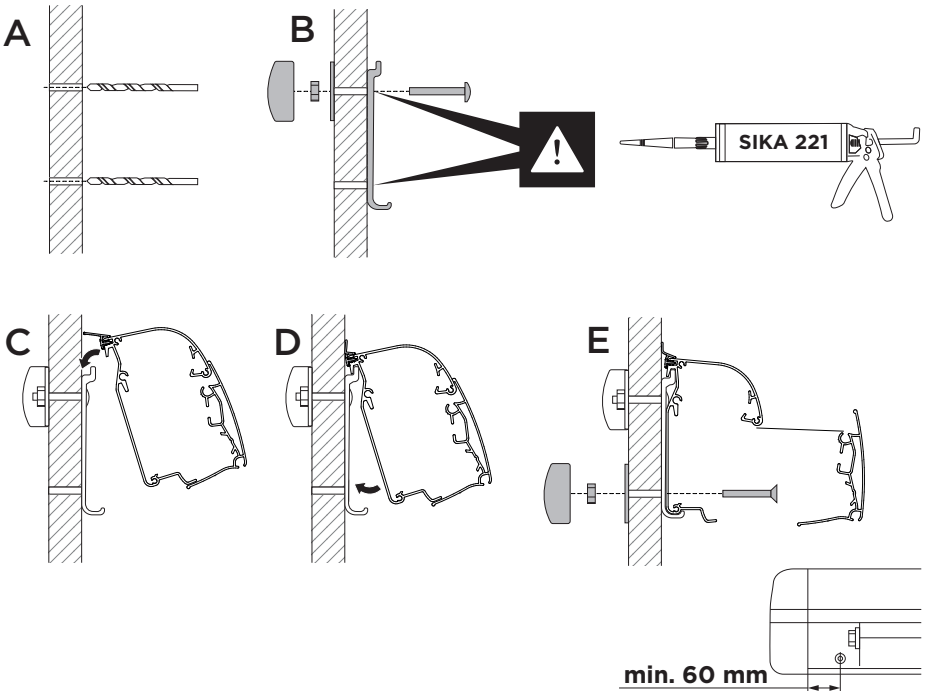
FIX X



FIX Y

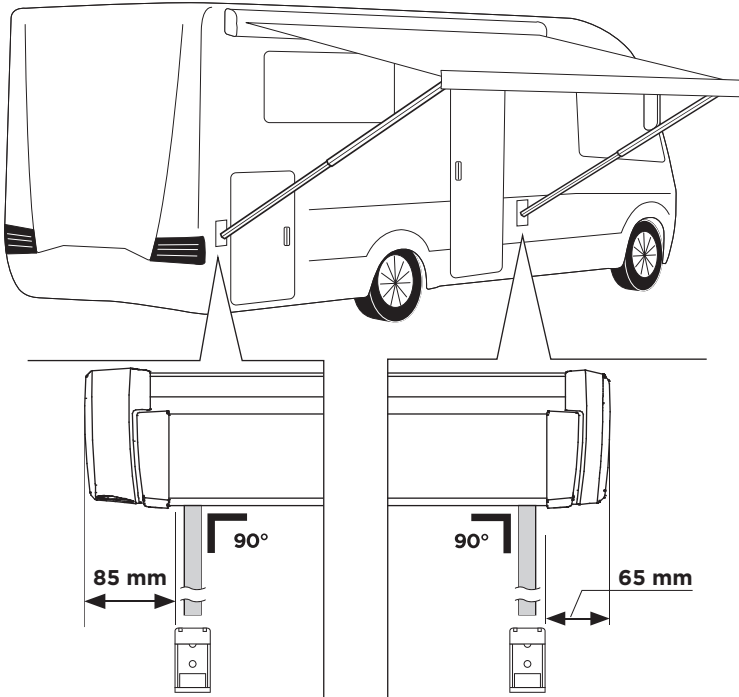


FIX Z



8 FOOT SUPPORT INSTALLATION

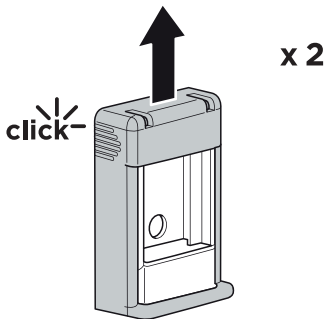
i



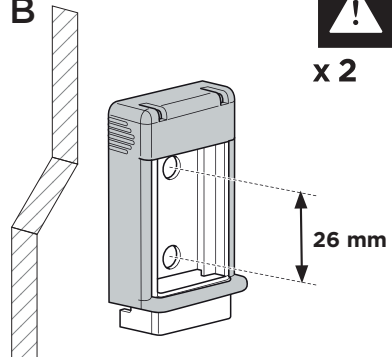
1



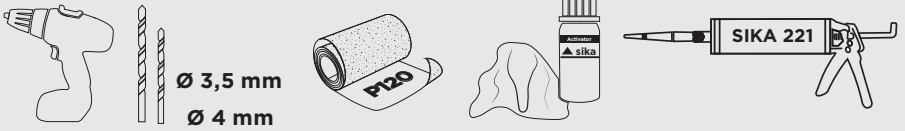
A



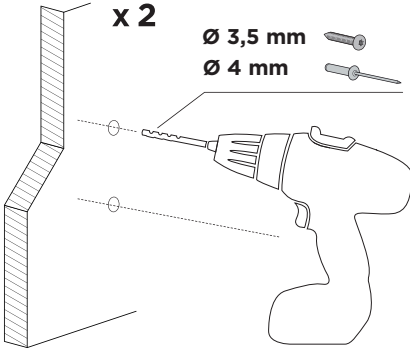
B



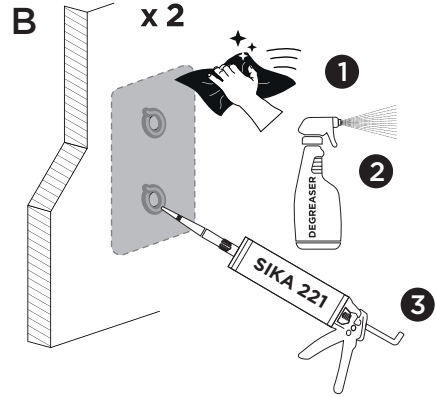
2



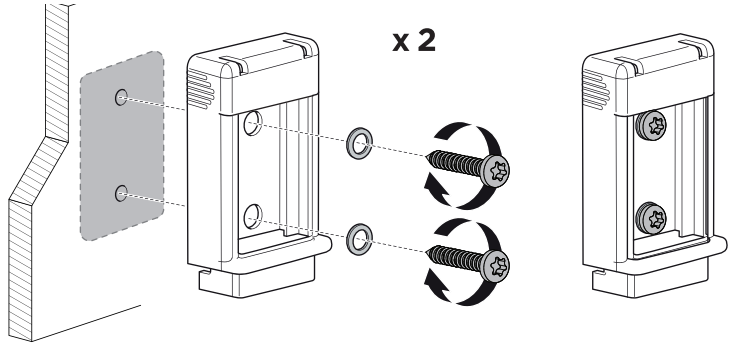
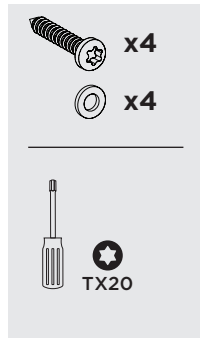
A



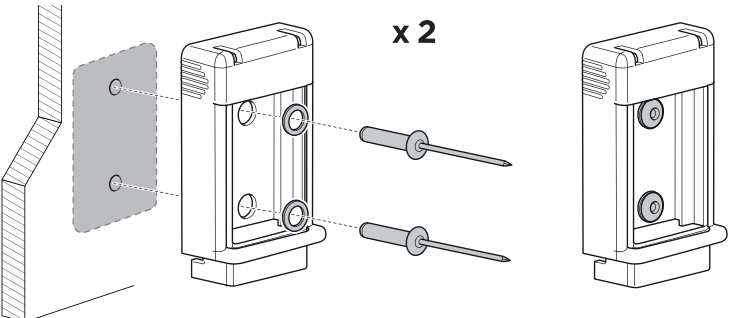
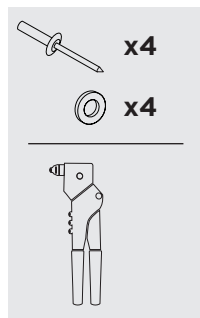
B



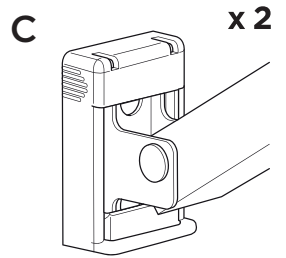
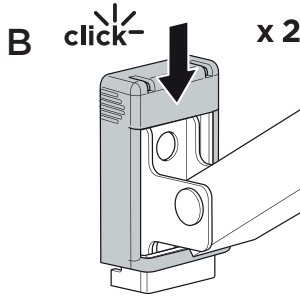
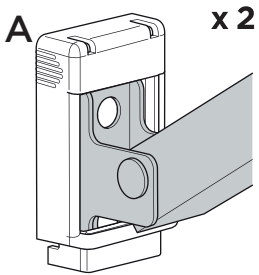
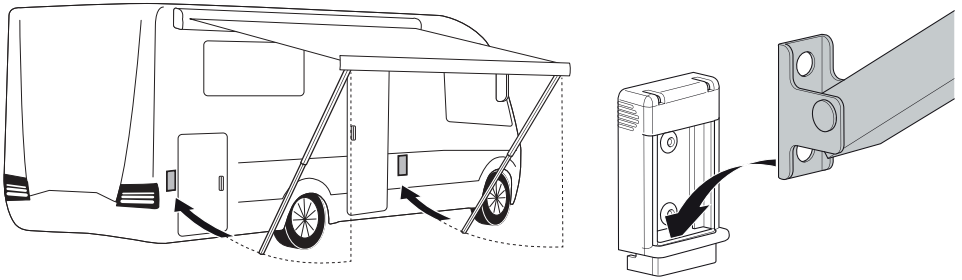
3



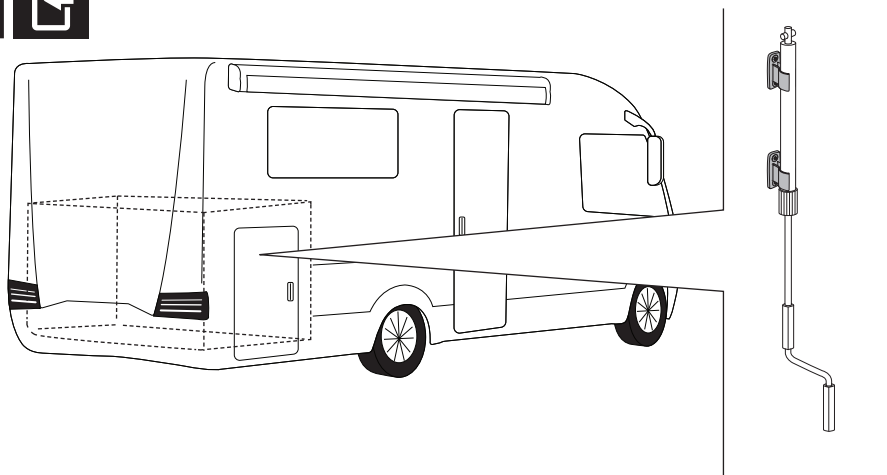
OR



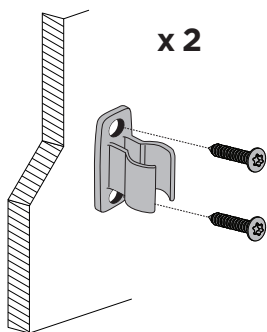
4



9 HAND CRANK SUPPORT INSTALLATION



1

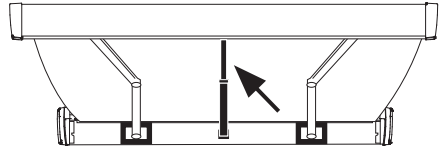


10 ACCESSORIES

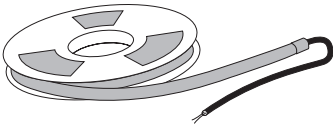
Thule Hold Down Side Strap Kit (307916)



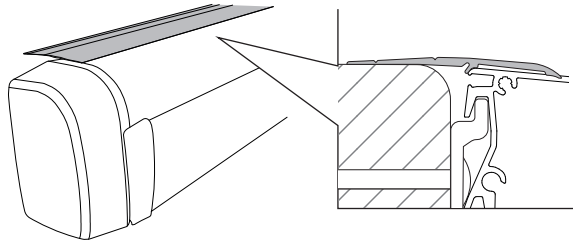
Thule Tension Rafter G2 (307307 / 307309)



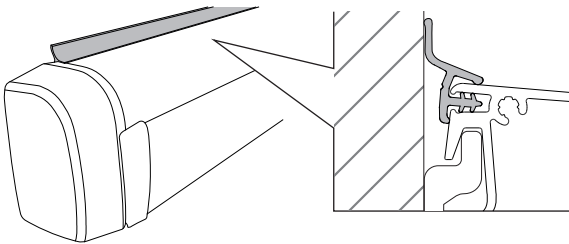
Thule LED Strip (307135 - 307137)



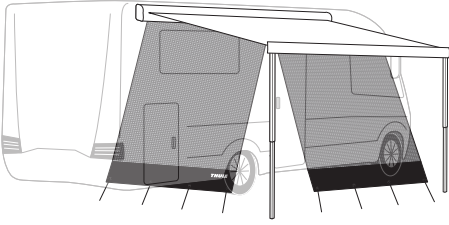
Thule Sealing Rubber (306891 - 306892)



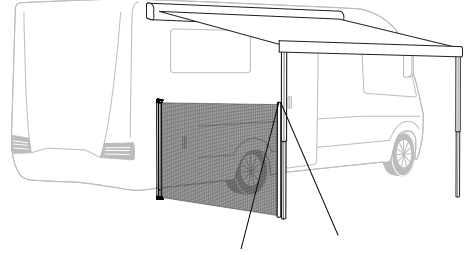
Thule Sealing Rubber (302690 - 302693)



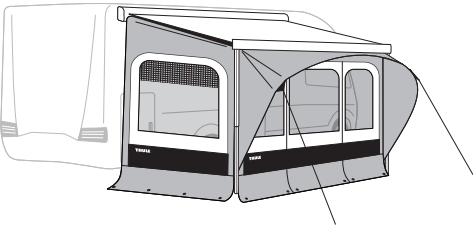
Thule Sun Blocker G2



Thule Windscreen



Thule QuickFit



Thule Residence G3



Thule Rain Blocker G2

