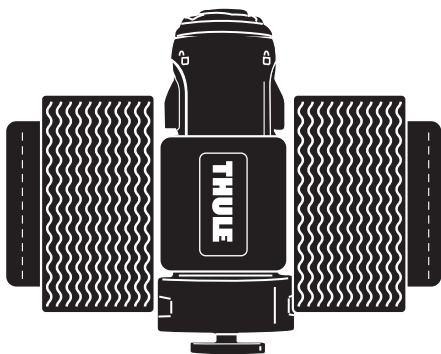


**THULE**<sup>®</sup>  
SWEDEN

# ➤ Instructions

**SkiClick Thule Global**  
729102

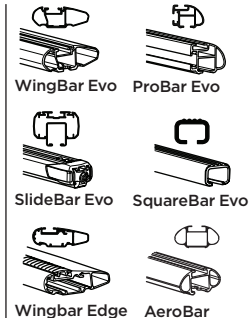
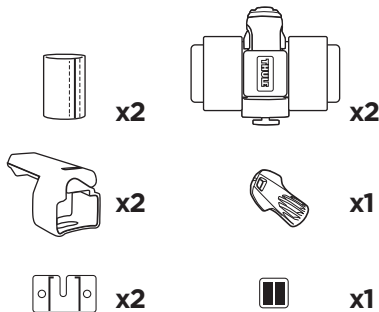
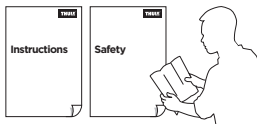


5561353001

Bring your life  
[thule.com](http://thule.com)

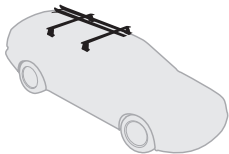
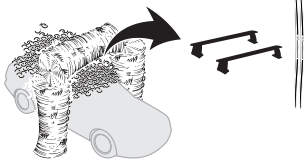
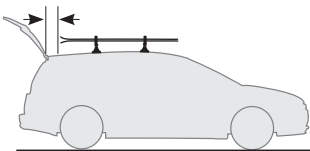
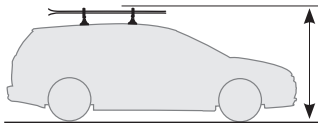
# CITY CRASH

Complies with ISO norm



1, 2,  
4-8

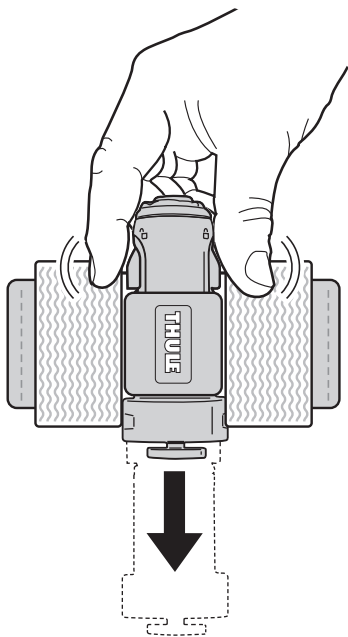
1, 3,  
4-8



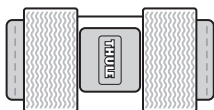
**Max  
130 km/h  
80 mph**

1

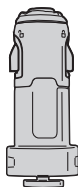
A



B

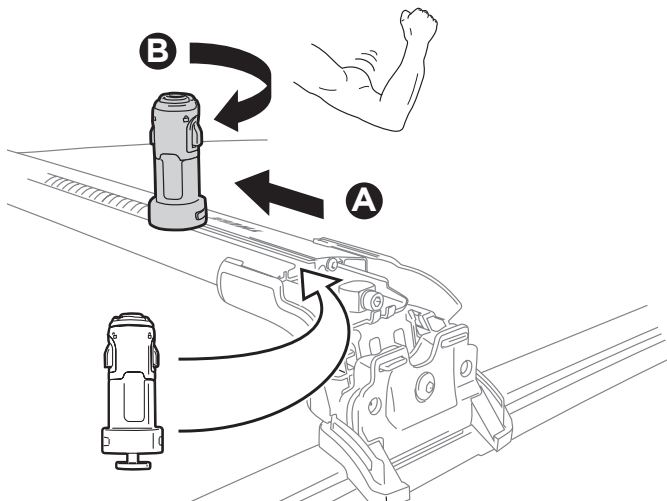
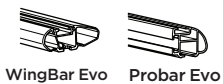


x1

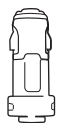


x1

# 2



3



x1

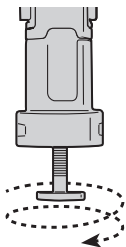


x1

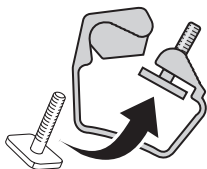


SquareBar Evo

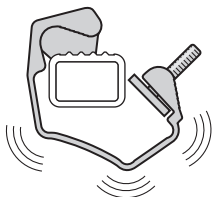
**A**



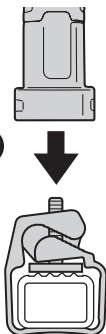
**B**



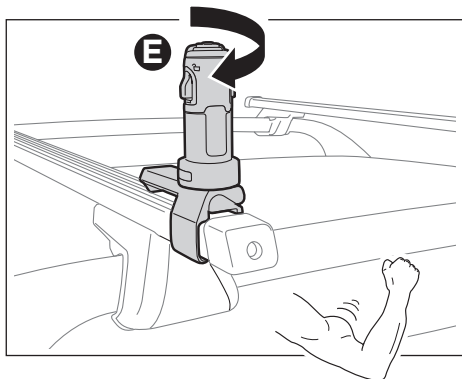
**C**



**D**



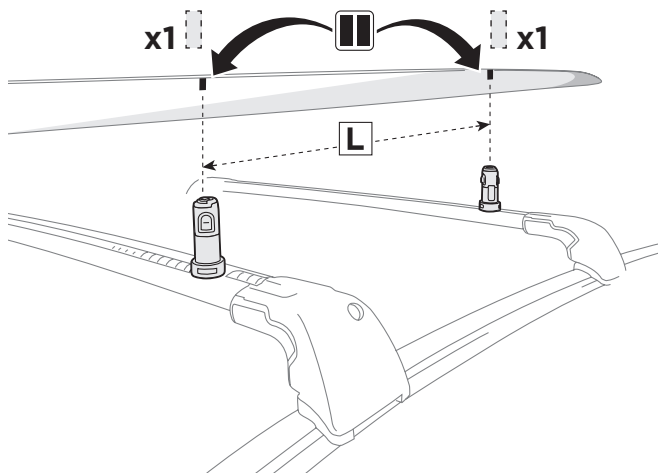
**E**



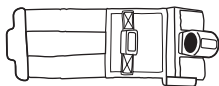
4

 x2

---



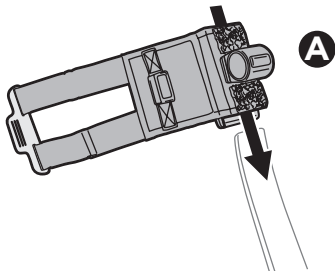
5



x2



x2

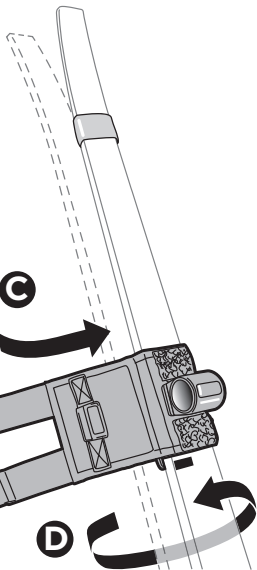


A

B



STOP!

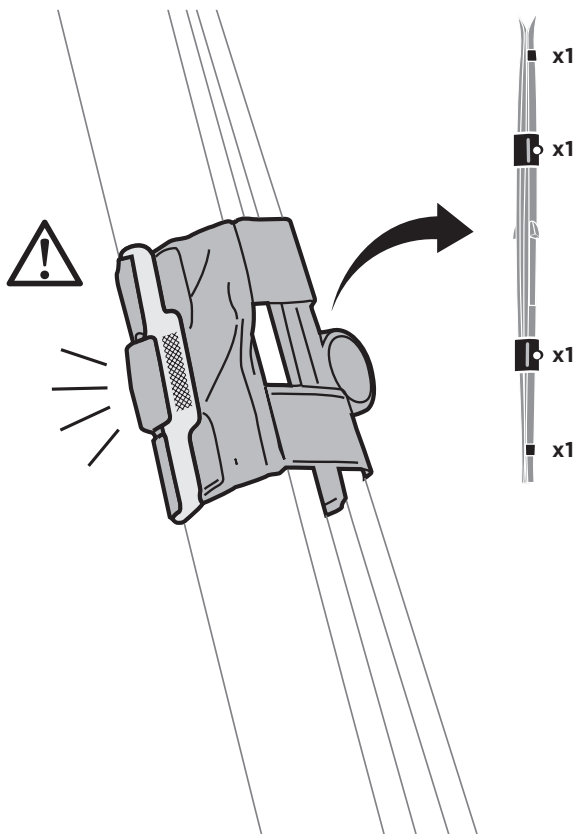


C

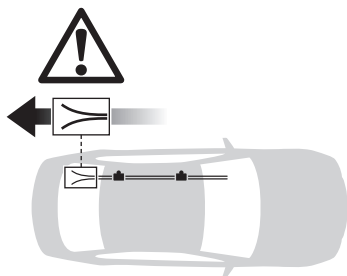
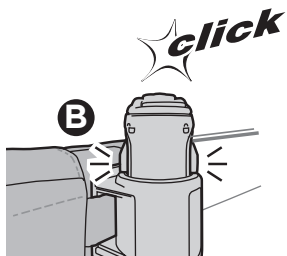
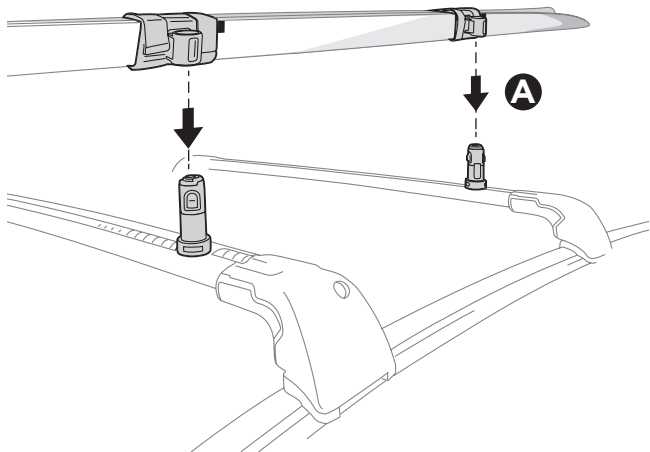
D



# 6



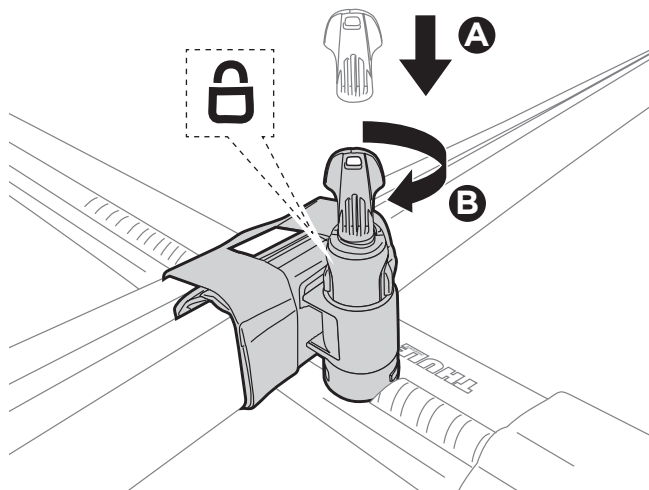
# 7



8



x1

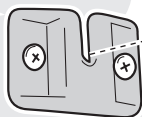


# 9

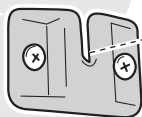


**x4**

**A**

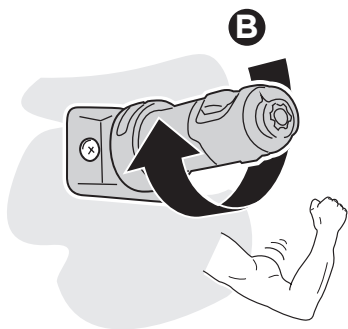
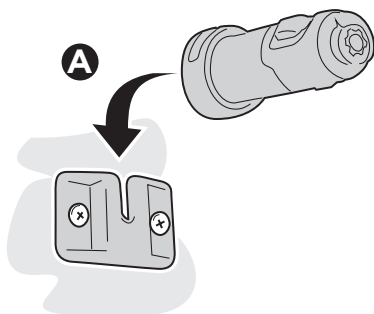


**B**

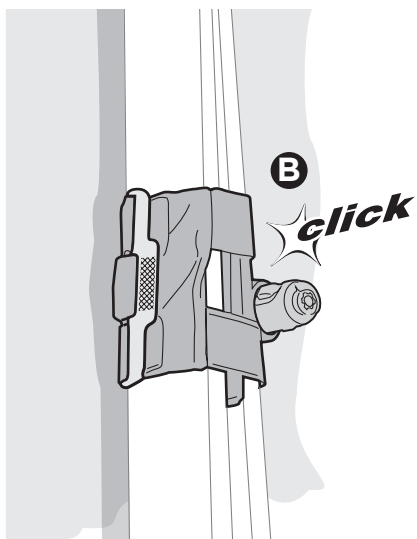
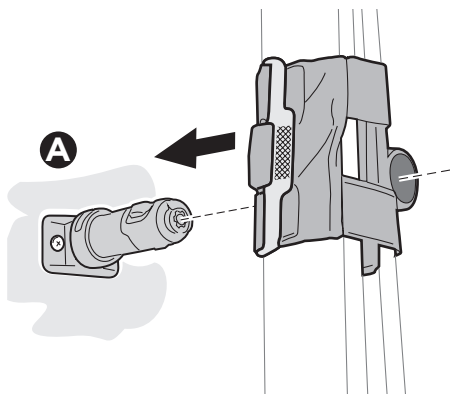


(page 6!)

# 10



# 11







[www.thule.com](http://www.thule.com)



[info@thule.com](mailto:info@thule.com)



Thule Sweden AB, Borggatan 5  
335 73 Hillerstorp, SWEDEN

» PART OF THULE GROUP

5561353001

© Thule Group 2021. All rights reserved.