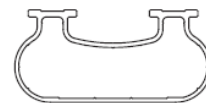
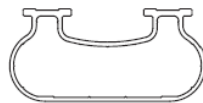
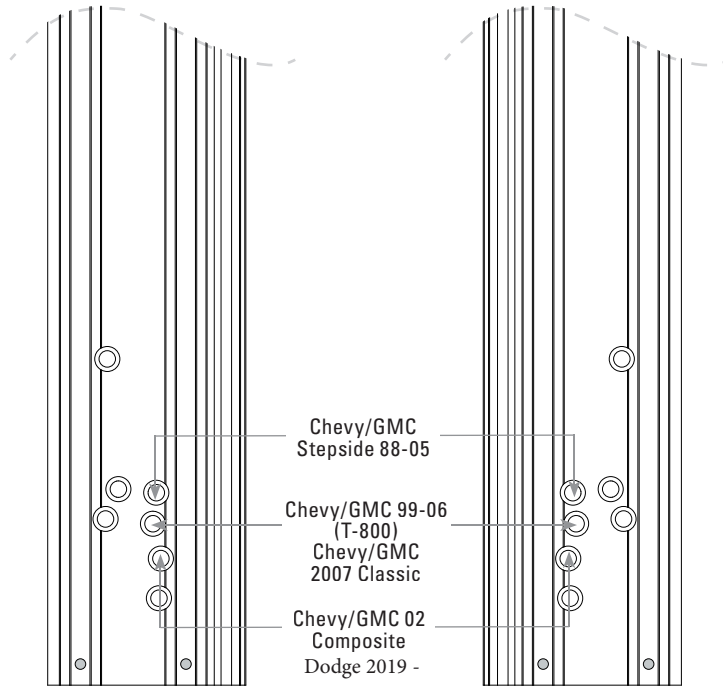
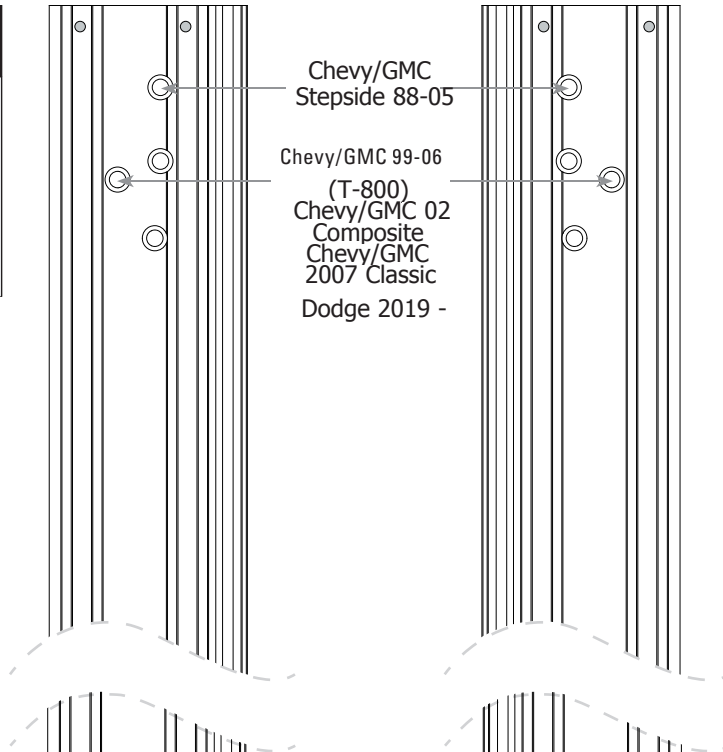


**BASE RAIL # 21501,  
#21781 Layout Drawing**

FULL SIZE SHORT BED	
<b>Chevy/GMC</b>	<b>1988-2006</b>
<b>Chevy/GMC Stepside</b>	<b>1988-2005</b>
<b>Chevy/GMC</b>	<b>2007 Classic</b>
<b>Dodge</b>	<b>2019 -</b>

LEFT CAB RIGHT



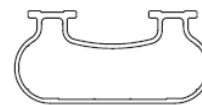
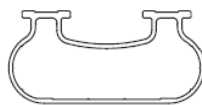
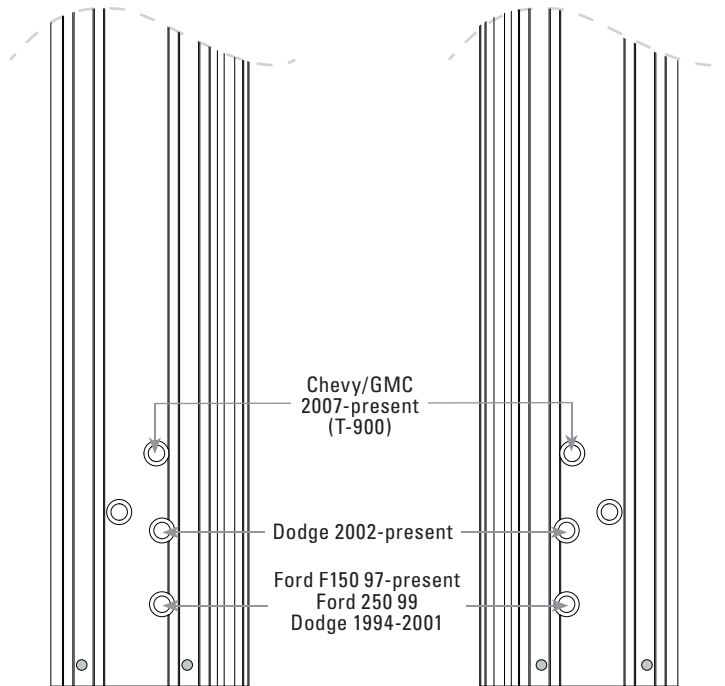
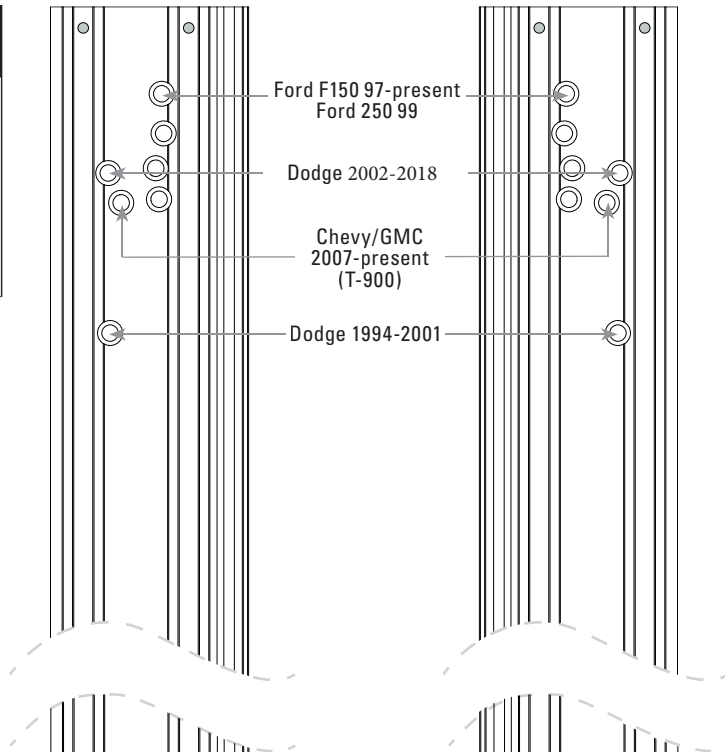
LEFT TAILGATE RIGHT

# BASE RAIL # 21501, #21781 Layout Drawing

FULL SIZE SHORT BED	
<b>Dodge</b>	<b>1994-2018</b>
<b>Ford F-150</b>	<b>1997-Present</b>
<b>Ford F-250</b>	<b>1999</b>
<b>Chevy/GMC</b>	<b>2007-Present</b>

\* Note: Older model Ford trucks and Ford Super Duty Series require a different base rail.

LEFT CAB RIGHT



LEFT TAILGATE RIGHT

**BASE RAIL # 21501,  
#21781 Layout Drawing**

**FULL SIZE SHORT BED**

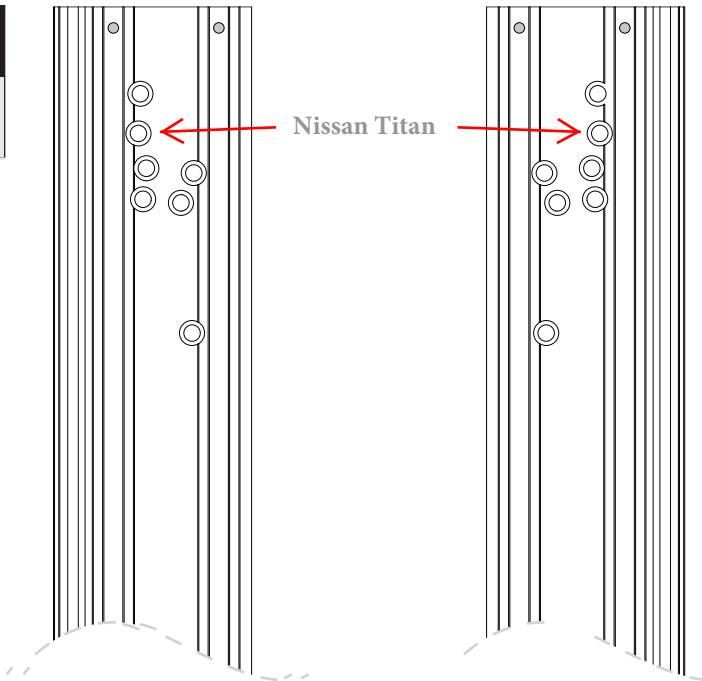
*Nissan Titan*

2016 -

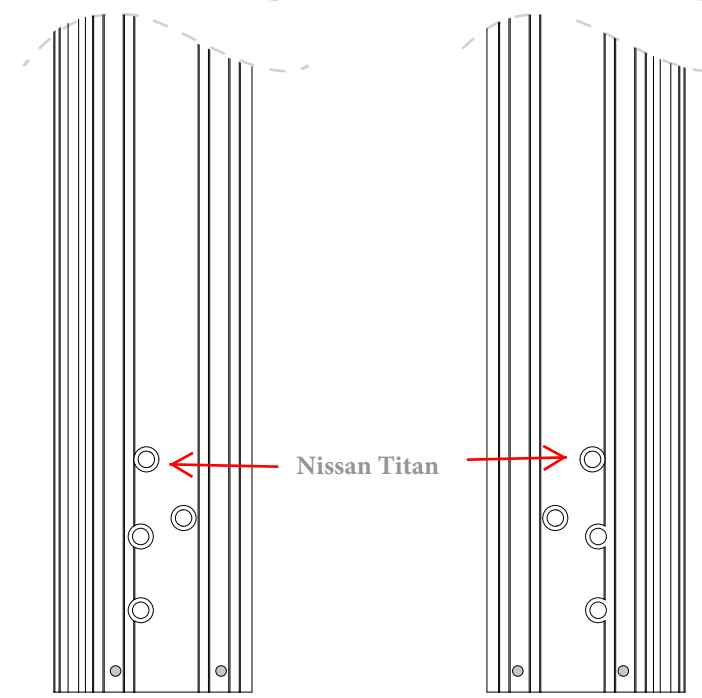
LEFT

CAB

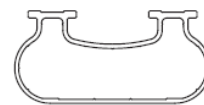
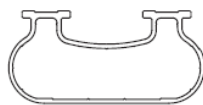
RIGHT



Nissan Titan



Nissan Titan



LEFT

TAILGATE

RIGHT