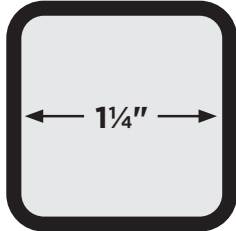


# Technical information

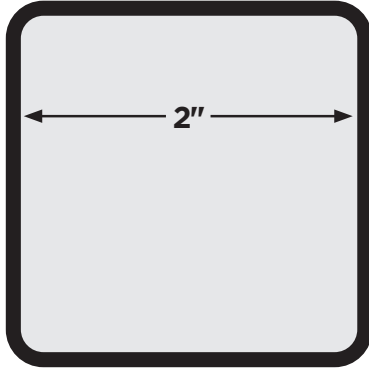
## What size is the consumer's hitch?



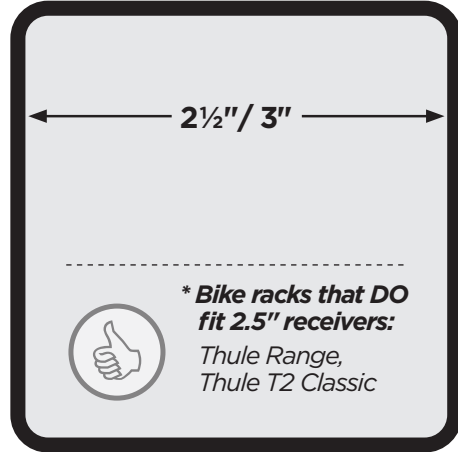
1¼" Receiver



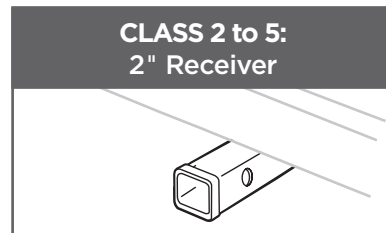
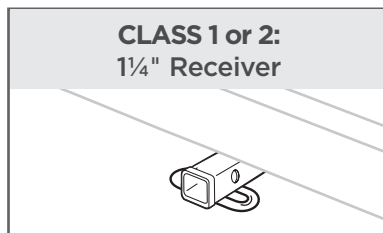
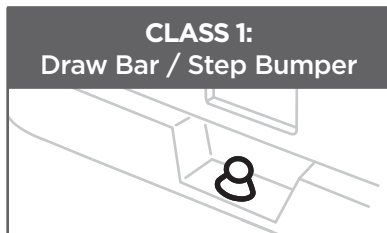
2" Receiver



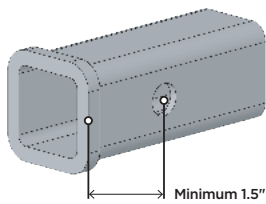
3" Receiver - NO FIT  
2½" - NO FIT \*



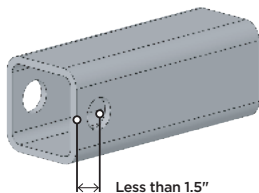
## What class is the consumer's hitch?



## Consumer's hitch pin hole depth?



All Thule hitch racks approved for use.



See chart to confirm if Thule hitch rack is approved for use.

	Hitch Rack	Pin Hole Depth Requirement
<b>SWING</b>	<b>Apex XT Swing</b>	
	9027XT	1.5"
	<b>Helium Pro</b>	
	9042Pro 9043Pro	1.5"
<b>TILT</b>	<b>Apex XT</b>	
	9024XT 9025XT 9026XT	1.5"
	<b>Camber</b>	
	9056/9058	1.5"
	<b>Range</b>	
	9057	1.5"

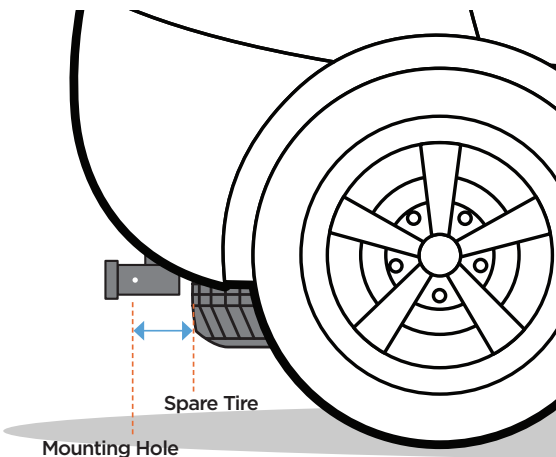
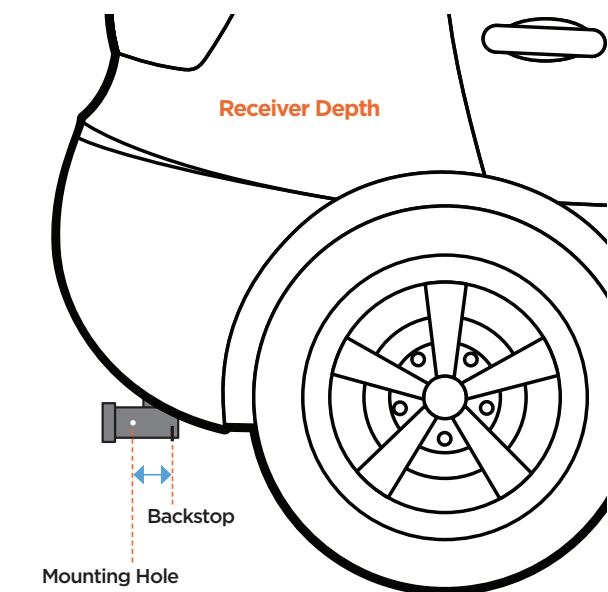
	Hitch Rack	Pin Hole Depth Requirement
<b>PLATFORM</b>	<b>T2 Pro XT/XTR</b>	
	9034XT / 9034XTR	1.125"
	9035XT / 9035XTR	1.5"
	9034XT/XTR + 9036XT	1.5"
	<b>Verse</b>	
	903452	1.5"
	903453	1.5"
	903452 + 903651	1.5"
	<b>Epos</b>	
	903210 / 903211	1.5"
	903310	1.5"
	<b>Helium Platform XT</b>	
	903901/904011	1.5"
	<b>T2 Pro X</b>	
904450	1.125"	
904550	1.5"	
904450 + 904650	1.5"	
<b>T1</b>		
9041	1.5"	
<b>Doubletrack Pro XT</b>		
9054/905402	1.5"	
<b>EasyFold XT</b>		
903202	1.5"	

## Consumer's hitch receiver depth?

To ensure proper fit, it's important to know the depth of your receiver. Determine this by doing the following:

- With a ruler inserted in the receiver, measure from the center of the hitch mounting hole to the point where you make contact with an obstacle. **This is your receiver depth.**
- If you do not contact a back-stop or your hitch receiver does not have a backstop, another potential point of contact could be an undercarriage-mounted spare tire or the undercarriage itself.
- Using the table in the next page, compare your measurement to see which hitch racks will work with your vehicle.

Your receiver depth must be equal to or greater than the product measurement listed in the table for a proper fit.



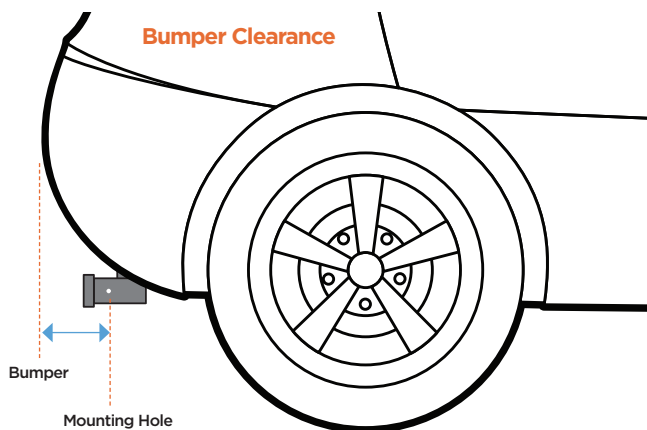
	Hitch Rack	Receiver Depth
PLATFORM	<b>EasyFold XT</b>	
	903202	1.4"
	<b>Helium Platform XT</b>	
	903901	2.3"
	904011	2.3"
	<b>T2 Pro XT/XTR</b>	
	9034XT/9034XTR	2.5"
	9035XT/9035XTR	1.4"
	9034XT/XTR + 9036XT	2.5"
	<b>Verse</b>	
903452	2.6"	
903453	1.9"	
903452 + 903651	2.6"	
<b>T2 Pro X</b>		
904450	2.5"	
904550	1.4"	
904450 + 904650	2.5"	
<b>Epos</b>		
903210 / 903211	2"	
903310	2"	
<b>T1</b>		
9041	1.5"	
<b>DoubleTrack Pro XT</b>		
9054/905402	1.5"	
SWING	<b>Apex XT Swing</b>	
9027XT	2.5"	
TILT	<b>Helium Pro</b>	
	9042PRO, 9043PRO	1.4"
	<b>Apex XT</b>	
	9024XT	1.4"
	9025XT	1.4"
	9026XT	1.4"
	<b>Camber</b>	
9058/9056	1.5"	
<b>Range</b>		
9057	2.4"	

## Consumer's hitch bumper clearance?

Make sure your bumper will not interfere with the Thule hitch rack. Measure the distance from the center of the mounting hole on your hitch to the end of your bumper.

*This is your bumper clearance.*

Your bumper clearance must be equal to or less than the product measurement listed in the table for a proper fit.



	Hitch Rack	Stowed Spare Tire Clearance	In-Use Spare Tire Clearance
PLATFORM	<b>EasyFold XT</b>		
	903202	12.0"	12.0"
	<b>T2 Pro XT/XTR</b>		
	9034XT/9034XTR	6.3"	20.5"
	9035XT/9035XTR	6.3"	20.5"
	9034XT/XTR + 9036XT	6.3"	20.5"
	<b>Verse</b>		
	903452	8"	18.7"
	903453	8"	18.7"
	903452 + 903651	8"	18.7"
	<b>Helium Platform XT</b>		
	903901	N/A	11.0"
	904011	N/A	11.0"
	<b>T2 Pro X</b>		
904450	6.3"	20.5"	
904550	6.3"	20.5"	
904450 + 904650	6.3"	20.5"	
Epos	903210 / 903211	N/A	9.5"
	903310	N/A	9.5"
	<b>T1</b>		
9041	6.0"	19.3"	
<b>DoubleTrack Pro XT</b>			
9054/905402	6.0"	6.0"	
SWING	<b>Apex XT Swing</b>		
	9027XT	8.8"	8.8"
TILT	<b>Helium Pro</b>		
	9042Pro/9043Pro	13.3"	13.3"
	<b>Apex XT</b>		
	9024XT	10.3"	10.3"
	9025XT	10.3"	10.3"
	9026XT	10.3"	10.3"
	<b>Camber</b>		
	9058/9056	7.3"	7.3"
	<b>Range</b>		
	9057	6.9"	6.9"

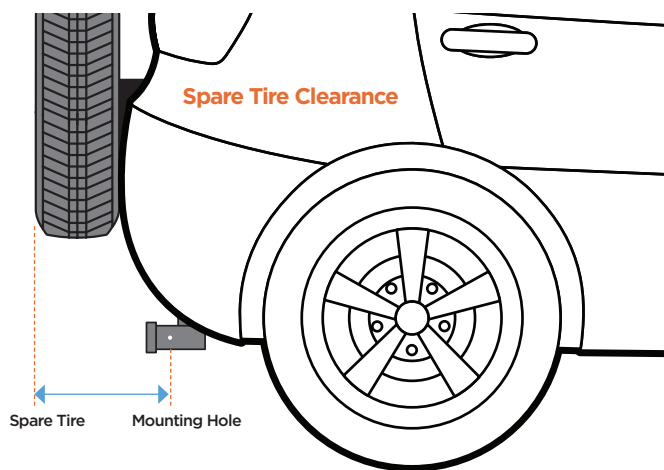
	Hitch Rack	Bumper Clearance
PLATFORM	<b>EasyFold XT</b>	
	903202	9.5"
	<b>T2 Pro XT/XTR</b>	
	9034XT/9034XTR	6.3"
	9035XT/9035XTR	6.3"
	9034XT/XTR + 9036XT	6.3"
	<b>Verse</b>	
	903452	10.5"
	903453	10.5"
	903452 + 903651	10.5"
	<b>Helium Platform XT</b>	
	903901	3"
	904011	3"
	<b>T2 Pro X</b>	
904450	6.3"	
904550	6.3"	
904450 + 904650	6.3"	
Epos	903210 / 903211	6.3"
	903310	6.3"
	<b>T1</b>	
9041	6.5"	
<b>DoubleTrack Pro XT</b>		
9054/905402	6.0"	
SWING	<b>Apex XT Swing</b>	
	9027XT	7.3"
TILT	<b>Helium Pro</b>	
	9042Pro/9043Pro	10.8"
	<b>Apex XT</b>	
	9024XT	7.0"
	9025XT	7.0"
	9026XT	7.0"
	<b>Camber</b>	
	9058/9056	5.3"
	<b>Range</b>	
	9057	5.4"

## Consumer's spare tire clearance?

If you have a spare tire on the back of your vehicle it may interfere with the installation of your Thule hitch rack. Measure the distance from the center of the mounting hole on your hitch receiver to the end of your spare tire.

*This is your spare tire clearance.*

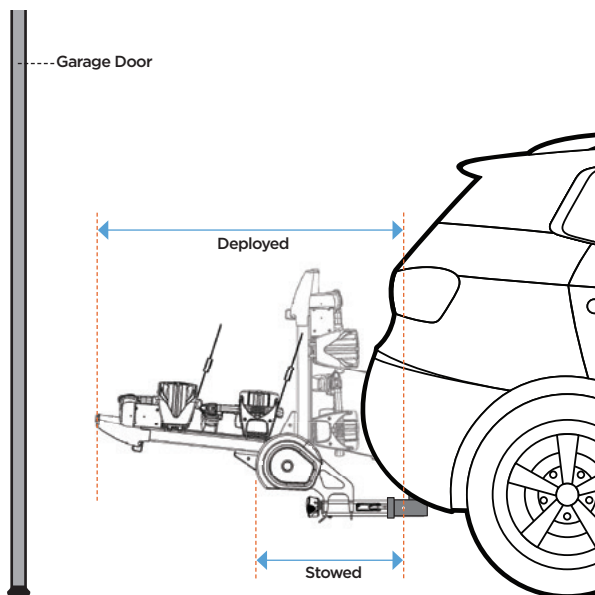
Your spare tire clearance must be equal to or less than the product measurement listed in the table for a proper fit.



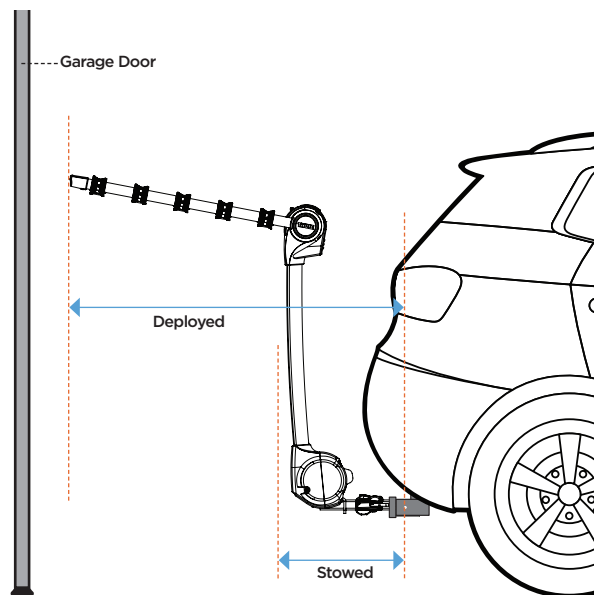
## Consumer's garage clearance?

If you will be parking your vehicle in a garage with the rack mounted, you can use these measurements to help you determine if there will be any interference issues with fitting your vehicle into your garage space with the rack in the stowed position or deployed position.

Garage Clearance - Platform Models



Garage Clearance - Swing & Tilt Models



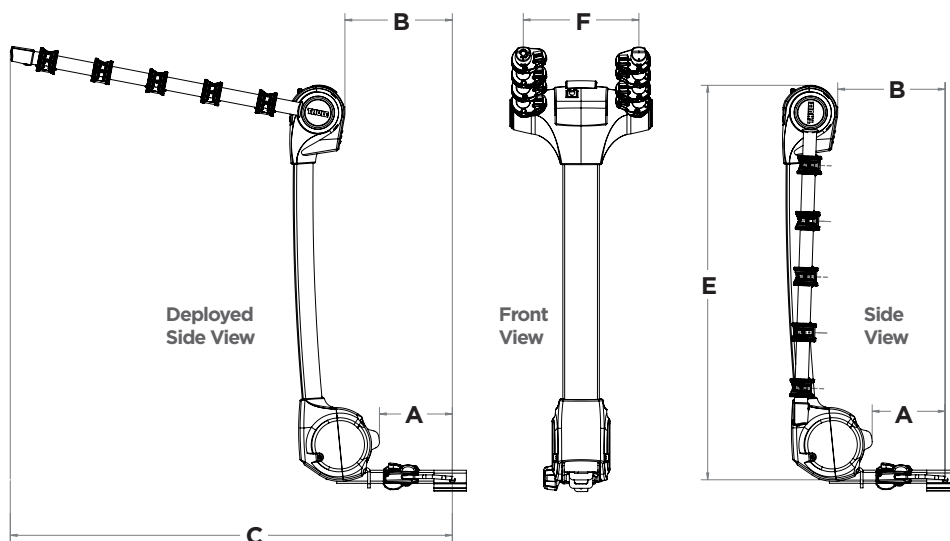
PLATFORM	Hitch Rack	Stowed Clearance	Deployed Clearance
	<b>T2 Pro XT/XTR</b>		
	9034XT/9034XTR	20.5"	41.5"
	9035XT/9035XTR	20.5"	41.5"
	9034XT/XTR + 9036XT	20.5"	60.1"
<b>Verse</b>			
	903452	21.6"	42.7"
	903453	21.6"	42.7"
	903452 + 903651	21.6"	65.2"
<b>T1</b>			
	9041	14.3"	28.5"
<b>T2 Pro X</b>			
	904450	20.5"	41.5"
	904550	20.5"	41.5"
	904450 + 904650	20.5"	60.1"
<b>Epos</b>			
	903210 / 903211	N/A	33.7"
	903310	N/A	43.5"
<b>DoubleTrack Pro XT</b>			
	9054/905402	14.5"	33"
<b>Helium Platform XT</b>			
	903901	13.5"	20.8"
	904011	13.5"	30.7"
<b>EasyFold XT</b>			
	903202	32"	32"

TILT	Hitch Rack	Stowed Clearance	Deployed Clearance
	<b>Helium Pro</b>		
	9042PRO	20.7"	32.0"
	9043PRO	21.9"	39.0"
<b>Apex XT</b>			
	9024XT	14.7"	28.2"
	9025XT	14.7"	38.1"
	9026XT	14.7"	42.1"
<b>Camber</b>			
	9058	14.8"	28.3"
	9056	14.8"	42.2"
<b>Range</b>			
	9057	14.4"	42.0"
SWING	<b>Apex XT Swing</b>		
		9027XT	15.2"

## Hitch dimensions

Though we design our hitch-mounted bike carriers to be as universal as possible, all vehicles are designed differently. These diagrams have been designed to help you better understand the “room” our hitch-mounted bike racks need to function properly.

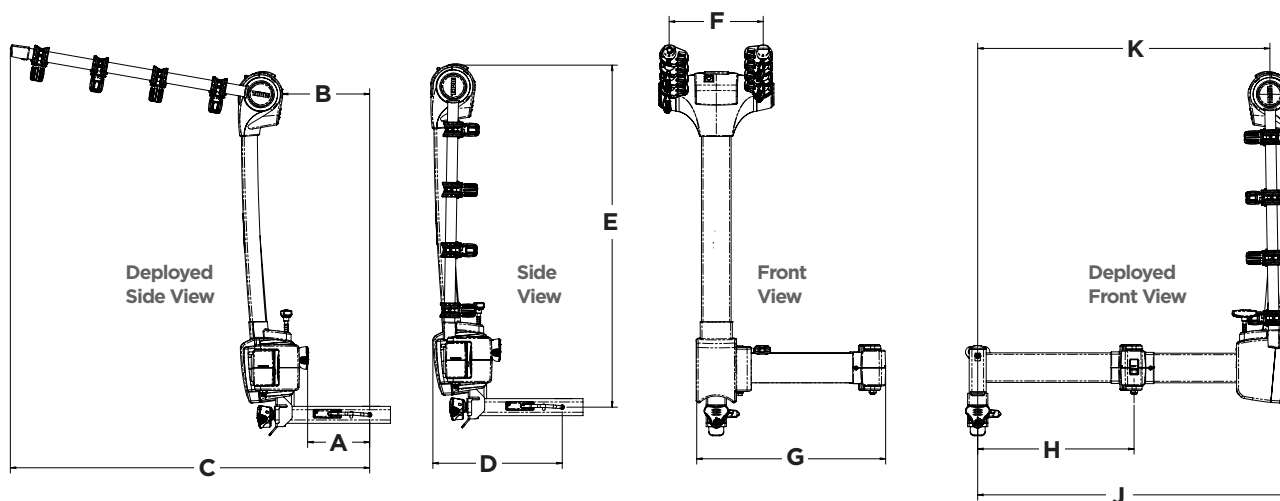
## Tilt hitch racks



MODEL	A	B	C	D	E	F
9042PRO	10.8"	13.2"	32"	20.7"	37.3"	11"
9043PRO	10.8"	13.2"	39"	21.9"	37.3"	11"
9024XT	7"	9.3"	28.2"	15.4"	37"	11"
9025XT	7"	9.3"	42.1"	15.4"	37"	11"
9026XT	7"	9.3"	42.1"	15.4"	37"	11"

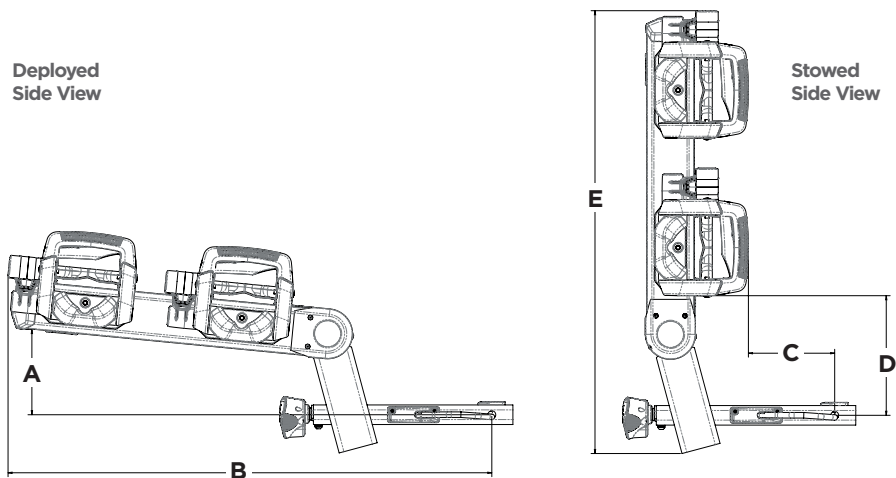
MODEL	A	B	C	D	E	F
9058	5.3"	6.7"	28.3"	14.8"	35.6"	11"
9056	5.3"	6.7"	42.2"	14.8"	35.6"	11"
9057	8.5"	6.3"	42.1"	14.8"	35.6"	11"

## Swing away hitch racks



MODEL	A	B	C	D	E	F	G	H	J	K
9027XT	7.3"	10.3"	42.2"	15.2"	40.2"	11.1"	22.2"	18.4"	36.7"	34.3"

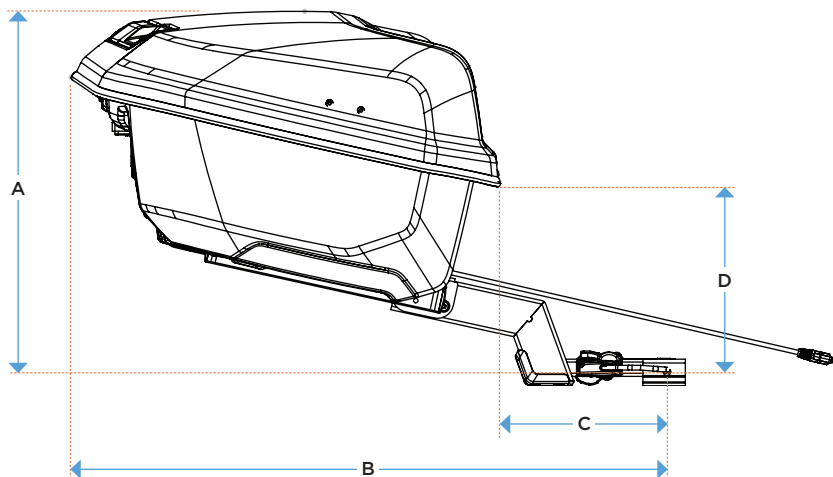
## Platform hitch racks



MODEL	A	B	C	D	E
903901	4.4"	21"	5.6"	8"	18.5"
904011	5"	31"	5.6"	8"	28"
903202	6"	32"	9.5"	N/A	32"
903452	3.4"	42.7"	8"	11.6"	34.5"
903453	3.4"	42.7"	8"	11.6"	34.5"
903452 + 903651	7.3"	65.1"	8"	11.6"	56.4"
903210	3.5"	33.7"	6.3"	N/A	N/A
903211	3.5"	33.7"	6.3"	N/A	N/A
903310	4.3"	43.5"	6.3"	N/A	N/A
9034XTR	7.6"	41.5"	6.25"	7.9"	33.8"
9035XTR	7.9"	41.5"	6.25"	7.9"	33.8"
9034XTR + 9036XTB	9.6"	60.1"	6.26"	7.9"	52.5"
904450	7.6"	41.5"	6.25"	7.9"	33.8"
904550	7.9"	41.5"	6.25"	7.9"	33.8"
904450 + 904650	9.6"	60.1"	6.26"	7.9"	52.5"
9044	6.4"	35.3"	4.5"	8.9"	29.25"
9045	7.9"	34.3"	3.5"	10.4"	28"
9044 + 9046	7.9"	55"	4.5"	8.9"	49"
9041	4.5"	28.5"	3.5"	15.3"	26.5"
9054	5"	33.9"	5.8"	14.25"	30.6"

### Thule Arcos hitch measurements

To determine the clearance around Thule Arcos and your vehicle, refer to the chart below and the technical hitch information on [page 92](#).



MODEL	A	B	C	D
906201+906301	26.1" / 66.3 cm	43.2" / 109.6 cm	12.2" / 31.2 cm	14.2" / 36 cm